

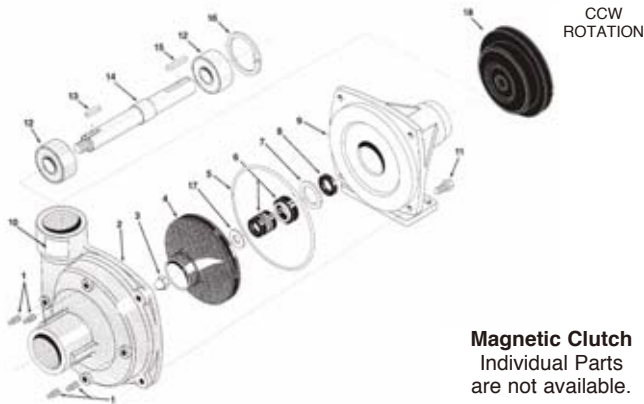
Code 4 **A**

SEAL, O-RING REPAIR KIT  
FOR ALL PUMPS LISTED BELOW

Stock No.	Mfg. No.	Kit Parts List	Price Ea.
HYK-38	3430-0332	One each Ref. No. 5, 6 and 7	\$51.00

Models 9200C, 9201C, 9202C, 9203C, Pedestal  
Models 9252C-C, 9253C-C with 12 volt clutch

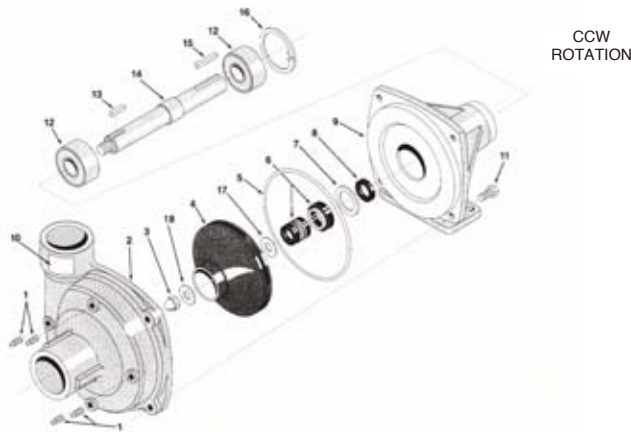
Code 4 **A**



Ref. No.	Qty. Req'd.	Stock No.	Description	Price Ea.
1	4	HY2406-0007	Drain Plug	\$ .82
2	1	HY0152-9000C	Pump Casing	188.70
3	1	HY2253-0002	Impeller Nut	3.20
4	1	HY0403-9100P	Impeller (Polypropylene)	60.52
5	1	HY1720-0083	O-Ring	2.79
6	1	HY2120-0008	Seal Buna-N	24.48
6	1	HY2120-0009	Seal - Viton	43.86
6	1	HY2120-0032	Seal Silicone Carbide	197.54
7	1	HY1830-0040	Seal Retainer	1.43
8	1	HY1410-0056	Slinger Ring	.88
9	1	HY0750-9200C	Mounting Flange	152.32
11	4	HY2210-0020	Bolt	.75
12	2	HY2000-0010	Ball Bearing	9.18
13	1	HY1610-0015	Key	1.43
14	1	HY0501-9200	Pump Shaft	124.10
15	1	HY1610-0004	Key	1.43
16	1	HY1820-0013	Bearing Retainer	.95
17	1	HY1700-0100	Gasket	4.08
18		HY2526-0003	Magnetic Clutch	338.64

Model 9204C Pedestal

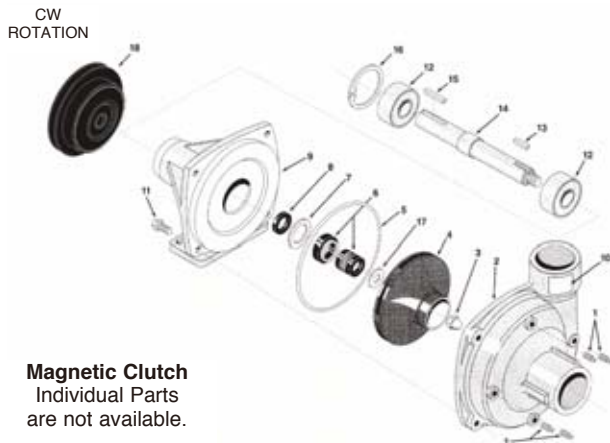
Code 4 **A**



Ref. No.	Qty. Req'd.	Stock No.	Description	Price Ea.
1	4	HY2406-0007	Drain Plug	\$ .82
2	1	HY0151-9200C	Pump Casing	183.94
3	1	HY2253-0002	Impeller Nut	3.20
4	1	HY0401-9200C	Impeller (Cast Iron)	193.12
5	1	HY1720-0083	O-Ring	2.79
6	1	HY2120-0008	Seal Buna-N	24.48
6	1	HY2120-0009	Seal - Viton	43.86
6	1	HY2120-0032	Seal Silicone Carbide	197.54
7	1	HY1830-0040	Seal Retainer	1.43
8	1	HY1410-0056	Slinger Ring	.88
9	1	HY0750-9200C	Mounting Flange	152.32
11	4	HY2210-0020	Bolt	.75
12	2	HY2000-0010	Ball Bearing	9.18
13	1	HY1610-0053	Key	.88
14	1	HY0501-9200	Pump Shaft	124.10
15	1	HY1610-0004	Key	1.43
16	1	HY1820-0013	Bearing Retainer	.95
17	1	HY1700-0100	Gasket	4.08
18	1	HY2270-0071	Washer	.88

Model 9203C-R Pedestal  
Model 9253-CR with 12 Volt Clutch

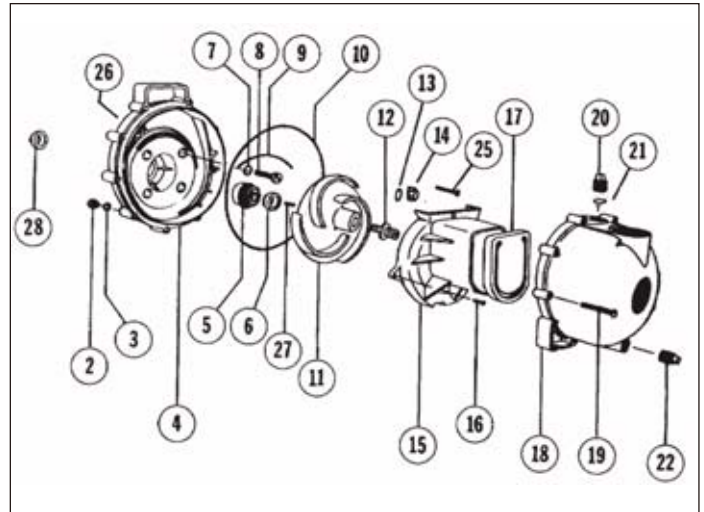
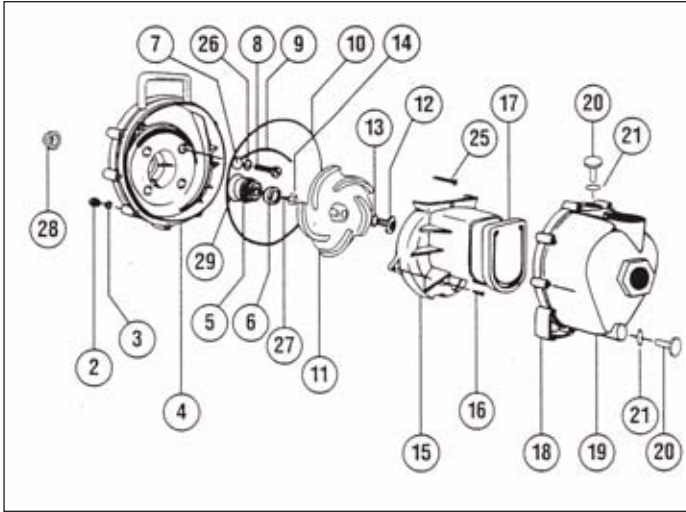
Code 4 **A**



Ref. No.	Qty. Req'd.	Stock No.	Description	Price Ea.
1	4	HY2406-0007	Drain Plug	\$ .82
2	1	HY0150-9000C	Casing 9201C/3C	163.20
2	1	HY0150-9200C	Casing 9200C/2C	161.84
3	1	HY2253-0002	Impeller Nut	3.20
4	1	HY0401-9100P	Impeller (Nylon) (std.)	37.74
4	1	HY0402-9100P	Impeller (Poly)	35.70
5	1	HY1720-0083	O-Ring	2.79
6	1	HY2120-0008	Seal Buna-N	24.48
6	1	HY2120-0009	Seal Viton	43.86
6	1	HY2120-0032	Seal Silicon Carbide	197.54
7	1	HY1830-0040	Seal Retainer	1.43
8	1	HY1410-0056	Slinger Ring	.88
9	1	HY0750-9200C	Mounting Flange	152.32
11	4	HY2210-0020	Bolt	.75
12	2	HY2000-0010	Ball Bearing	9.18
13	1	HY1610-0053	Key	.88
14	1	HY0501-9200	Pump Shaft	124.10
15	1	HY1610-0004	Key	1.43
16	1	HY1820-0013	Bearing Retainer	.95
17	1	HY1700-0100	Gasket	4.08
		HY2526-0003	Magnetic Clutch	338.64

**FOR PUMPS MANUFACTURED BEGINNING SEPTEMBER 1996**

**FOR PUMPS MANUFACTURED PRIOR TO SEPTEMBER 1996**



Code 4 **A**

Code 4 **A**

ITEM	STOCK NUMBER	DESCRIPTION	PER PUMP	PRICE EA.
2	BAV07019	Body Nuts SS	10	\$ .33
3	BAV07018	Lock Washer SS	10	.33
4	BA12703A	Poly Pump Rear Bracket	1	63.53
5&6	BA12713	Seal Assembly EPDM #†	1	31.77
5&6	BA12713V	Seal Assembly Viton	1	51.25
7	BA12717	Screw Heads O-Rings#†	4	.47
8	BA12715A	Bracket Screws SS	4	2.68
9	BA12754	O-Ring Segment EPDM #†	1	3.73
9	BA12754V	O-Ring Segment Viton	1	6.47
10	BA12719A	Body O-Ring EPDM #†	1	9.62
10	BA12719V	Body O-Ring Viton	1	44.31
11	BA12771A	1-1/2" 3 Vane Poly Pump Impeller	1	30.44
11	BA12772	2" 5 Vane Poly Pump Impeller	1	30.44
11	BA13771	3" 4 Vane Poly Pump Impeller	1	40.58
12	BA12765A	Impeller Bit SS	1	12.01
13	BA12774VA	Impeller Bit Gasket#†	1	1.01
14	BA12775A	Impeller Hext Nut	1	9.62
15	BA12702A	1-1/2" & 2" Pump Volute	1	46.78
15	BA13702	3" Pump Volute	1	51.26
16	BA12725	Volute Screws SS	2	2.41
17	BA12705	Pump Check Valve EPDM †	1	11.02
17	BA12705V	Pump Check Valve Viton	1	77.41
18	BA12711A	1-1/2" Poly Pump Body Assembly	1	102.53
18	BA12712A	2" Poly Pump Body Assembly	1	102.53
18	BA13712	3" Poly Pump Body Assembly	1	133.49
19	BA12720	Body Screws SS	10	2.41
20	BA12777	1-1/2", 2" Prime/Drain Plug	1	1.61
20	BA13777	3" Prime/Drain Plug	1	2.14
21	BAUV15163	Plug O-Rings#†	2	1.18
21	BA13778	3" Plug O-Ring	1	1.34
25	BA12900	Upper Volute Screw SS	1	1.07
26	BA12901	Rear Bracket Washer SS	4	.33
27	BA12902A	Impeller Key	1	1.13
28	BA12706	Poly Pump Slinger #†	3	2.14
29	BA12710	O-Ring for Seal Assembly #†	1	2.34

ITEM	STOCK NUMBER	DESCRIPTION	PER PUMP	PRICE EA.
2	BAV07019	Body Nuts	10	\$ .33
3	BAV07018	Lock Washer	10	.33
4	BA12703	Rear Bracket	1	63.53
5&6	BA12713	Seal Assembly EPDM #†	1	31.77
5&6	BA12713V	Seal Assembly Viton	1	51.25
7	BA12717	O-Rings for Screw Heads #†	4	.47
8	BA12715	Bracket Screws	4	2.68
9	BA12754	O-Ring Segment EPDM #†	1	3.73
9	BA12754V	O-Ring Segment Viton	1	6.47
10	BA12719	Body O-Ring EPDM #†	1	9.62
10	BA12719V	Body O-Ring Viton	1	44.31
11	BA12771	Impeller†	1	30.44
12	BA12765	Impeller Stud	1	12.01
13	BA12774V	O-Ring Acorn Nut	1	1.01
14	BA12775	Acorn Nut	1	7.75
15	BA12702	Volute	1	46.78
16	BA12725	Volute Screws	2	2.41
17	BA12705	Check Valve EPDM †	1	11.02
17	BA12705V	Check Valve Viton	1	77.41
18	BA12011	1-1/2" Body	1	97.71
19	BA12012	2" Body	1	97.71
19	BA12720	Body Screws	10	2.41
20	BA12776	Prime Plug	1	1.61
21	BA12722	O-Ring Prime Plug	1	.64
22	BA12723	Drain Plug	1	1.39
25	BA12900	Upper Volute Screw	1	1.07
26	BA12901	1/4" SS Washer	4	.33
27	BA12902	Impeller Key	1	1.13
28	BA12722	Slinger O-Ring	3	.64
29	BA12710	Seal O-Ring	1	2.34

**PUMP REPAIR KITS**

Code 4 **A**

Stock No.	Description	Price Ea.
BA12000A	Pump Repair Kit - consists of Items marked with †	\$90.77
BA12999A	Pump Seal/O-ring Kit - consists of Items marked with #	\$51.26

**BANJO PUMP ONLY - (UNASSEMBLED)**

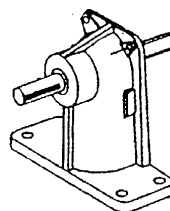
Fits Briggs & Stratton and Honda engines with 3/4" keyed shaft



**POLYPROPYLENE PUMPS**

Code 4 **A**

Stock No.	Mfg. No.	Ports	Price Ea.
9964	200PO	2"	\$259.50
9939	300PO	3"	421.83



**BANJO BEARING PEDESTAL ASSEMBLY**

3/4" Stainless Steel Shaft  
For 1-1/2, 2 & 3" Pumps

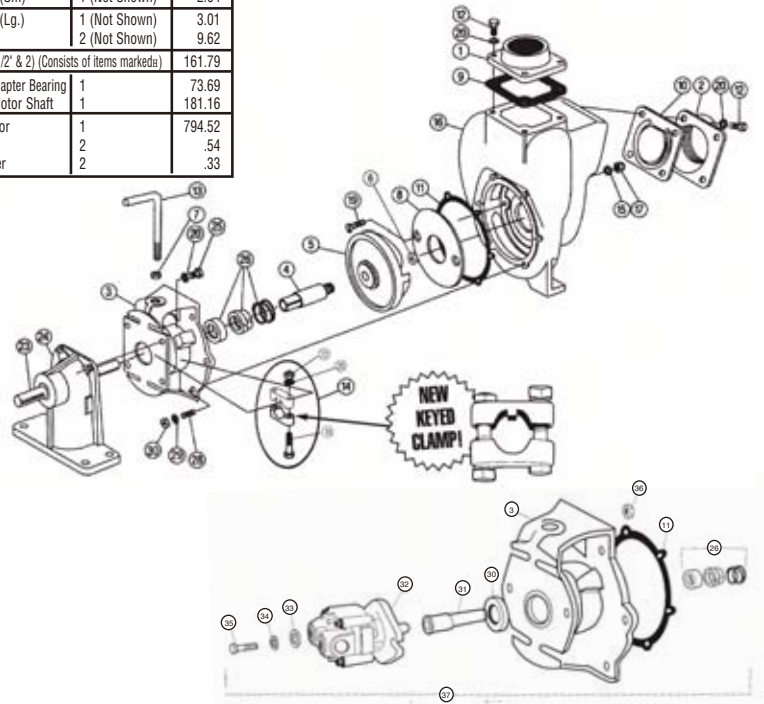
Code 4 **A**

Stock No.	Mfg. No.	Description	Price Ea.
6486	12882	Pedestal	\$154.85

**CAST IRON PUMP REPAIR PARTS LIST FOR 1-1/2" AND 2" PUMPS**

Ref. No.	Stock No.	Description	Qty Per Pump	Price Each
1	BA17000	Flange 2"	1 (2" Only)	16.56
1	BA17001	Flange 1-1/2"	1 (1-1/2" Only)	16.56
2	BA17002	Flange 2"	1 (2" Only)	18.68
2	BA17003	Flange 1-1/2"	1 (1-1/2" Only)	18.68
3	BA17004	Adapter-Gas Engine	1	66.04
3	BA17046	CF Adapter For Close Coupled Electric Drive Pump (Only)	1	91.83
3	BA17049	Hydraulic Motor Adapter (Cast Iron)	1	192.22
4	BA17005	Sleeve Drive 5/8"	1 (1 Per Pump)	62.48
4	BA17006	Sleeve Drive 3/4"	1 (1 Per Pump)	62.48
4	BA17007	Sleeve Drive 7/8"	1 (1 Per Pump)	62.48
5	BA17008	Impeller	1	48.06
6	BA17009	Nut, Hex	1	5.44
7	BA17010	Nut, Hex	1	.80
8	BA17011	Wear Plate	1	25.63
9	BA17013	EPDM Gasket	1	4.20
10	BA17016	Gasket Valve Assy.	1	12.28
11	BA17018	Gasket Adapter	1	4.54
12	BA17019	Capscrew 5/16"	8	.80
13	BA17022	Handle	1	9.41
14	BA17023	Clamp 3/4" Assy.	1 (1 Per Pump)	29.38
14	BA17024	Clamp 7/8" Assy.	1 (1 Per Pump)	29.38
15	BA17025	Wear Plate Gasket	2	1.40
16	BA17026	Pump Housing	1	162.95
17	BA17027	SS Acorn Nut	2	2.25
18	BA17029	Cap Screw	2	.80
19	BA17030	Flat Head Screw	2	.64
20	BAV10118	5/16" Lockwasher	16	.33
N/S	BA17032	1/4" Drain Plug	1 (Not Shown)	1.44
22	BA17038	5/16" SS Hexnut	8	.43
23	BA12883	Brg. Shaft Assy.	1	74.76
24	BA12882	Pedestal Assy.	1	154.85
25	BA17040	Cap Screw	4	2.58
26	BA17028	Seal Assy. (EPDM)	1 (1 Per Pump)	46.99
26	BA17035	Seal Assy. (Viton)	1 (1 Per Pump)	46.99

Ref. No.	Stock No.	Description	Qty Per Pump	Price Each
27	BAV10119	Nut	6	.43
29	BA17042	Stud	6	1.34
N/S	BA17020	SS Washer (Sm)	1 (Not Shown)	2.04
N/S	BA17021	SS Washer (Lg.)	1 (Not Shown)	3.01
N/S	BA17033	Z Rails	2 (Not Shown)	9.62
N/S	BA17100	Repair Kit (1-1/2" & 2") (Consists of items marked*)		161.79
30	BA17213	Hydraulic Adapter Bearing	1	73.69
31	17055	Hydraulic Motor Shaft	1	181.16
32	BAHY10131	Gresen Motor	1	794.52
33	BA17059	Flat Washer	2	.54
34	BAV20018	Lock Washer	2	.33

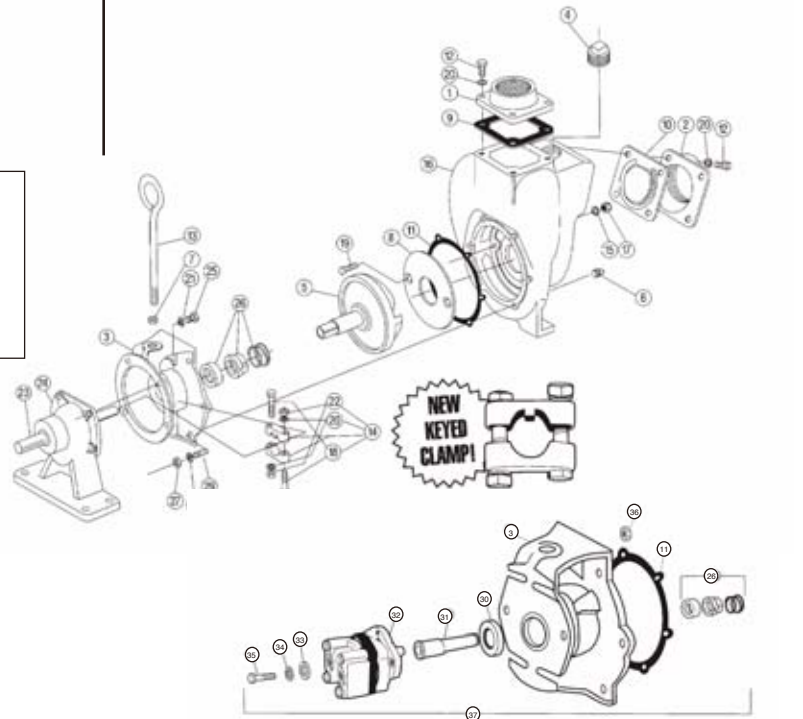
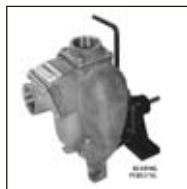


**1-1/2" & 2" CAST IRON PUMPS**

**CAST IRON PUMP REPAIR PARTS LIST FOR 3" PUMPS**

Ref. No.	Stock No.	Description	Qty Per Pump	Price Each
1	BA18008	Flange, Outlet 3"	1	32.51
2	BA18012	Flange Inlet 3"	1	34.71
3	BA18026	Gas Engine Adapter	1	104.85
3	BA18049	3" C-Flange Hydraulic Motor	1	210.37
4	BA18002	Plug 1" NPT	1	4.80
5	BA18023	Impeller 1"	1	187.95
N/S	BA18024	Nut, 3/4" SS	1	5.97
6	BA18003	Plug 1/4" NPT	1	1.61
7	BA18034	Nut, Jam 5/8" SS	1	2.20
N/S	BA18035	Z-Rail Mt g. Brlt.	1 Pr.	15.12
N/S	BA18036	Bolt 5/16" LG	8	.87
N/S	BAV10118	Washer 5/16"	8	.33
N/S	BA18038	Nut 5/16"	8	.27
N/S	BA18045	Cap Screw 3/8" SS	4	1.24
N/S	BAV20018	Washer Lock SS	4	.33
8	BA18004	Wear Plate	1	41.65
9	BA18009	Gasket, EPDM	1	6.51
10	BA18013	Gasket Check Valve Assy	1	31.93
11	BA18021	Gasket, Adapter	1	5.07
12	BA18010	Capscrew HX HD	8	1.01
13	BA18033	Handle 3/8"	1	12.55
14	BA18029	Clamp Assy. SS	1 Assy.	34.18
15	BA18005	Gasket, Wear Plate	2	1.44
16	BA18001	3" Pump Housing	1	425.02
17	BA18007	3/8" SS Acorn Nut	1	2.58
18	BA18030	Bolt 3/8"	2	3.03
N/S	BA18031	Washer Lock 3/8" SS	2	.16
19	BA18006	Bolt 3/8" - 16 x 1-1/4"	2	1.71
20	BA18011	Lock Washer 3/8"	8	.16
22	BA18032	Nut 3/8" Hex SS	2	.54
23	BA18504	1" Shaft for 3" Ped.	1	42.29
N/S	BA18505	Key	1	6.30
N/S	BA18506	Retaining Ring	1	9.52
24	BA18500	3" Bearing Pedestal	1	304.34
	BA18501	Cast Housing 3" Ped.	1	130.06
N/S	BA18502	Bearing For 3" Ped.	2	92.91
N/S	BA18503	Spacer For 3" Ped.	1	5.44
25	BA18027	LG SS (Pedestal Mount)	4	1.28
N/S	BAV20018	Washer Lock SS	4	.33

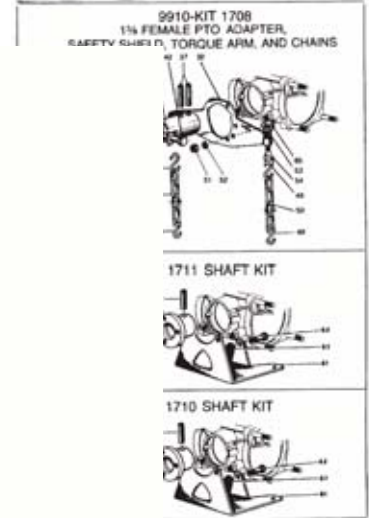
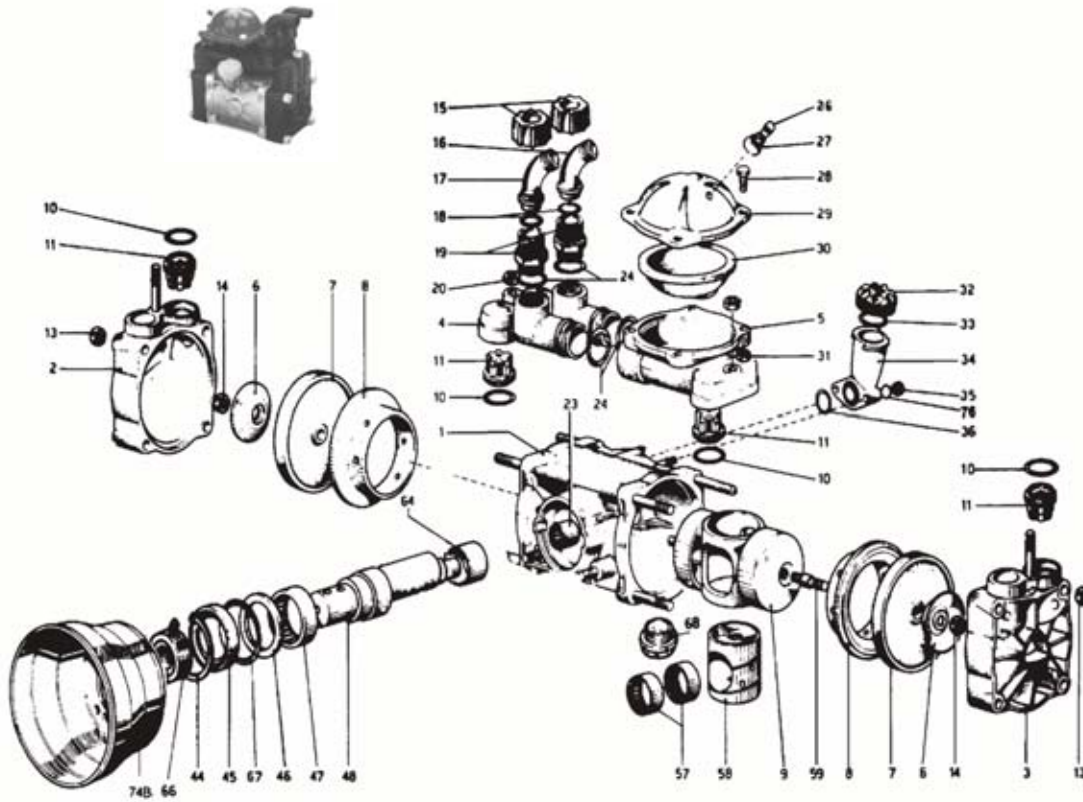
Ref. No.	Stock No.	Description	Qty Per Pump	Price Each
26	BA18025	Seal Assy. (Viton)	1	77.41
27	BA18032	Nut 3/8" Hex SS	6	.54
28	BAV20018	Washer Lock SS	6	.33
29	BA18018	Stud 3/8" SS	6	1.61
N/S	BA18100	3" Repair Kit (Consists of items marked*)		247.76
30	BA18502			
31	BA18055			
32	BAHY10121			
33	BA18059			
34	BA18058			
35	BA18056			
36	BA18057			
37	BA18600			



**3" CAST IRON PUMP**



**MODELS: D60 REPLACEMENT PARTS**



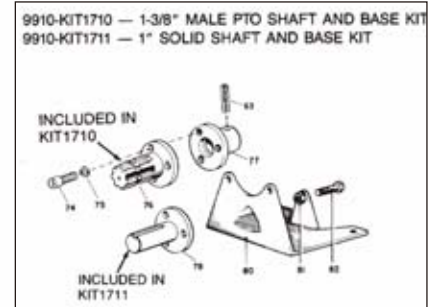
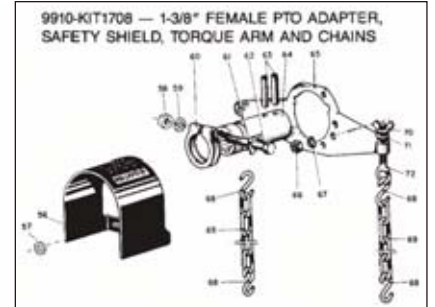
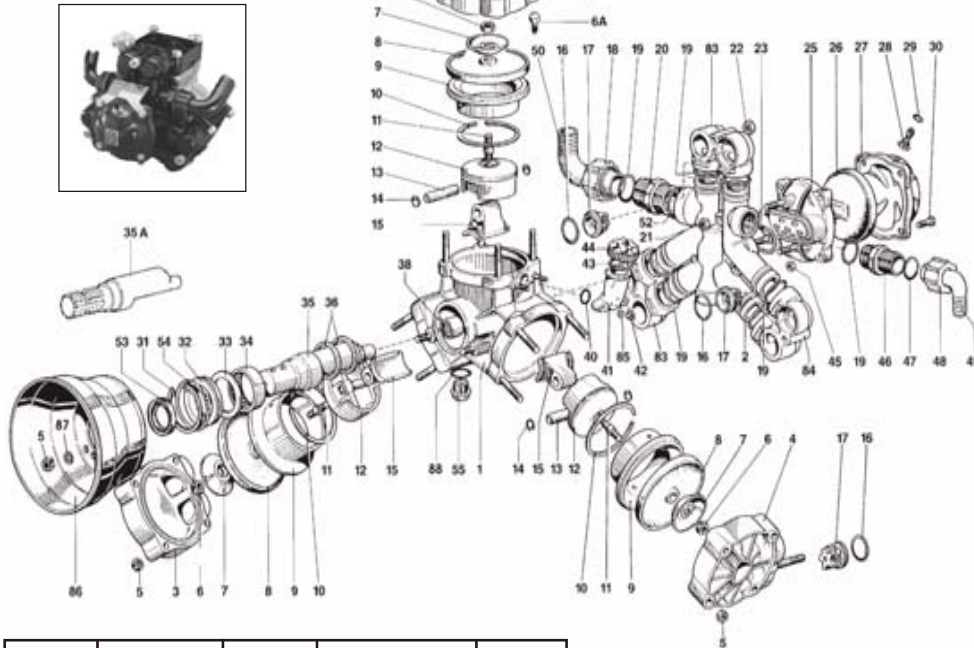
Code 4

Stock No.	Mfg. No.	Parts Inc.	Description	Price Ea.
HYK-2	9910-KIT1720	n	Diaphragm Kit	\$ 81.60
HYK-3	9910-KIT1789	l	Damp. Diaph. Kit	77.18
HYK-1	9910-KIT1902	s	O-Ring Kit	25.16

REF. NO.	STOCK NUMBER	DESCRIPTION	QTY. REQ'D.	PRICE EA.
1	HY9910-550010	Pump Body	1	\$224.06
2	HY9910-550101	Head Assembly (Right Hand)	1	103.70
3	HY9910-550102	Head Assembly (Left Hand)	1	100.64
4	HY9910-550150	Manifold	1	66.64
5	HY9910-559200	Accumulator Pressure Assembly	1	117.64
6A	HY9910-580370	Retaining Washer (New Style)	2	7.82
7	HY9910-550080	Diaphragm - Buna-N (Opt.)	2	28.90
n7	HY9910-550085	Diaphragm - Desmopan (Std.)	2	26.86
8	HY9910-550110	Piston Sleeve	2	57.12
9	HY9910-550120	Piston	1	212.16
lrs 10	HY9910-320030	O-Ring	4	2.99
11	HY9910-759050	Check Valve Assy. (Stainless Steel)	4	29.24
11	HY9910-759051	Check Valve Assembly (Nylon)	4	30.94
13	HY9910-180150	Nut	8	1.02
15	HY9910-550242	Barb Nut	2	4.76
16	HY9910-550370	1" Hose Barb Inlet	1	9.18
17	HY9910-550380	3/4" Hose Barb Outlet	1	8.77
s18	HY9910-550350	O-Ring	2	.95
19	HY9910-550340	Threaded Adapter	2	5.85
20	HY9910-180150	Nut	2	1.02
22	HY9910-380271	Torque Arm	1	23.12
23	HY9910-550310	Roller Bearing	1	29.58
s24	HY9910-390290	O-Ring	6	1.43
26	HY9910-550300	Air Valve	1	9.11
s27	HY9910-650542	O-Ring	1	1.16
28	HY9910-550680	Bolt (8MAx20)	4	2.38
29	HY9910-550233	Accuulator Head	1	45.56
n30	HY9910-550190	Accumulator Diaphragm	1	16.66
31	HY9910-380240	Nut	4	.82
32	HY9910-550056	Cap	1	7.41
s33	HY9910-550040	O-Ring	1	1.16
34	HY9910-550030	Oil Sight Glass	1	11.49
35	HY9910-390440	Nut	2	.82
n36	HY9910-180101	O-Ring	1	.95
37	HY9910-550290	Roll Pin	2	6.87
38	HY9910-320130	Nut	1	1.16

REF. NO.	STOCK NUMBER	DESCRIPTION	QTY. REQ'D.	PRICE EA.
39	HY9910-320131	Washer	1	\$.82
40	HY9910-500160	Collar	1	15.30
41	HY9910-500171	Lock Retainer Washer	1	2.52
42	HY9910-320170	Bolt (12MAx75)	1	3.67
43	HY9910-550250	Female Splined Shaft	1	116.62
44	HY9910-200391	Retainer Ring	1	18.02
45	HY9910-550470	Seal Ring	1	36.04
46	HY9910-550070	Spacer	1	7.82
47	HY9910-550060	Roller Bearing	1	46.92
48	HY9910-550170	Crankshaft	1	257.38
49	HY9910-320650	Chain "S" Hook	1	2.04
50	HY9910-320640	Chain	2	11.63
51	HY9910-180150	Nut	2	1.02
52	HY9910-200231	Washer	5	1.16
53	HY9910-320620	Washer	1	.82
54	HY9910-320630	Bolt	1	13.53
57	HY9910-550280	Roller Bearings	2	38.42
58	HY9910-550140	Piston Back-Up	1	74.12
59	HY9910-580360	Bolt (New Style)	2	9.32
61	HY9910-580080	Base	1	68.00
64	HY9910-550160	Spacer Sleeve	1	3.88
65	HY9910-320610	Wing Nut	1	2.04
66	HY9910-550491	Oil Seal	1	20.40
67	HY9910-650920	Oil Seal Spacer Ring	1	1.77
68	HY9910-130171	Oil Drain Plug	1	3.06
69	HY9910-550510	Adapter	1	128.86
70	HY9910-621600	1" Solid Shaft	1	113.22
71	HY9910-620240	1-3/8" 6 Spline Male Shaft	1	109.82
72	HY9910-200231	Washer	3	1.16
73	HY9910-620470	Bolt	3	1.56
74A	HY2840-0028	Safety Shield (with kit 1708)	1	37.74
74B	HY9910-1500350	Safety Shield (plastic) (opt.)	1	39.78
75	HY2270-0004	Washer	4	.75
76	HY9910-550331	Washer	2	.82

**D100 & D120 REPLACEMENT PARTS**



Stock No.	Mfg. No.	Parts Inc.	Description	Price Ea.
HYK-4	9910-KIT1905	s	O-Ring Parts Kit	\$ 41.14
HYK-5	9910-KIT1721	n	Diaphragm Parts Kit	114.58
HYK-6	9910-KIT1901	p	Valve Parts Kit	73.44

Code 4 **A**

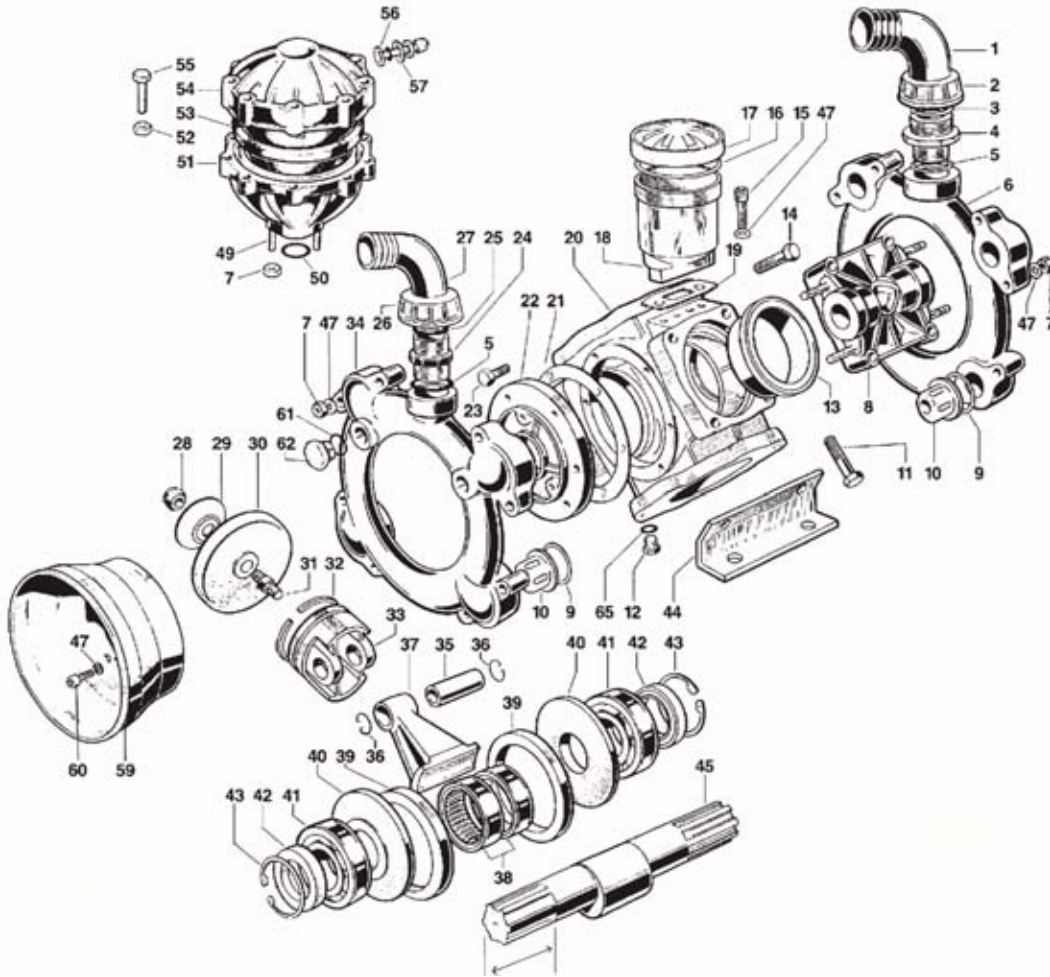
Code 4 **A**

REF. NO.	STOCK NUMBER	DESCRIPTION	QTY. REQ'D.	PRICE EA.
1	HY9910-580010	Pump Body	1	\$274.17
2	HY9910-580150	Manifold	1	159.12
3	HY9910-550101	Head Assembly (Right Hand) (DX)	2	103.70
4	HY9910-550102	Head Assembly (Left Hand) (SX)	1	100.64
5	HY9910-180150	Nut	12	1.02
6A	HY9910-580360	Bolt (New Style)	3	9.32
6	HY9910-550131	Lock Nut for Retaining Bolt - D100 (Old Style)	3	10.00
7	HY9910-580370	Retaining Washer (New Style)	3	7.82
n8	HY9910-550085	Diaphragm - Desmopan (Std.)	3	26.86
8	HY9910-550080	Diaphragm - Buna-N (Opt.)	3	28.90
8	HY9910-55008T	Diaphragm - Teflon (Opt.)	3	31.62
9	HY9910-580110	Piston Sleeve- D100	3	65.96
9	HY9910-580350	Piston Sleeve- D120	3	▯
10	HY9910-500260	Piston Ring	3	12.65
11	HY9910-550270	Retaining Stud (Discontinued) (use 9910-580360)	3	9.32
12	HY9910-580120	Piston	3	66.30
13	HY9910-380300	Connecting Rod Pin	3	18.02
14	HY9910-380080	Retainer Ring	6	1.09
15	HY9910-580140	Connecting Rod	3	59.84
pns16	HY9910-320030	O-Ring	6	2.99
p17	HY9910-559050	Check Valve Assembly (Nylon)	6	▯
17	HY9910-759050	Check Valve Assby. (Stainless Steel)	6	29.24
18	HY9910-580060	Hose Barb Nut (D1000)	1	9.79
18	HY9910-540540	Hose Barb Nut (D120)	1	11.63
s19	HY9910-390291	O-Ring (D100)	8	1.36
s19	HY9910-250310	O-Ring (D120)	8	1.29
20	HY9910-580030	Adapter (D100)	1	10.27
20	HY9910-540530	Adapter (D120)	1	16.32
21	HY9910-390270	Nut	3	.82
22	HY9910-180150	Nut	3	1.02
s23	HY9910-580050	O-Ring	1	7.62
25	HY9910-580180	Accumulator Pressure Assembly	1	115.60
n26	HY9910-550190	Accumulator Diaphragm	1	16.66
27	HY9910-550230	Accumulator Head	1	54.21
28	HY9910-550300	Air Valve	1	9.11
29	HY9910-650542	O-Ring	1	1.16
30	HY9910-550680	Bolt (8MAx25)	4	2.38
31	HY9910-200391	Retainer Ring	1	18.02
31	HY9910-580360	Bolt (New Style)	4	9.32
32	HY9910-550470	Gasket Retainer	1	36.04
33	V9910-550070	Spacer Ring	2	7.82
34	HY9910-550060	Roller Bearing	1	46.92
35	HY9910-550170	Crankshaft for Model D100	1	257.38
35A	HY9910-580330	Shaft for Model D120 (Splined)	1	213.52
36	HY9910-580130	Retainer Ring	2	11.22
38	HY9910-550310	Roller Bearing	1	29.58

REF. NO.	STOCK NUMBER	DESCRIPTION	QTY. REQ'D.	PRICE EA.
s40	HY9910-180101	O-Ring	1	.95
41	HY9910-550030	Oil Sight Glass	1	11.49
42	HY9910-390440	Nut	2	.82
s43	HY9910-550040	O-Ring	1	1.16
44	HY9910-550056	Cap	1	7.41
45	HY9910-380240	Nut	4	.82
46	HY9910-550340	Threaded Adapter	1	5.85
s47	HY9910-550350	O-Ring	1	.95
48	HY9910-550242	Barb Nut	1	4.76
49	HY9910-550370	1" Hose Barb (Outlet) 90° Std.	1	9.18
49	HY9910-550210	1" Hose Barb (Outlet) (Straight Opt.)	1	4.90
50	HY9910-580040	1-1/4" Hose Barb (Inlet) (D100)	1	13.94
50	HY9910-540550	1-1/2" Hose Barb (Inlet) (D120)	1	21.42
s52	HY9910-250310	O-Ring	1	1.29
53	HY9910-550491	Seal	1	20.40
54	HY9910-650920	Gasket	1	1.77
55	HY9910-130171	Oil Drain Plug	1	3.06
56	HY2840-0028	Safety Shield	1	37.74
57	HY2270-0004	Washer	4	.75
58	HY9910-320130	Nut	1	1.16
59	HY9910-320131	Washer	1	.82
60	HY9910-500160	Collar	1	15.30
61	HY9910-500171	Lock Retaining Washer	1	2.52
62	HY9910-320170	Bolt (12MAx75)	1	3.67
63	HY9910-550290	Roll Pin	2	6.87
64	HY9910-550250	Female Splined Shaft	1	116.62
65	HY9910-380271	Torque Bracket	1	23.12
66	HY9910-180150	Nut	2	1.02
67	HY9910-200231	Lock Washer	2	1.16
68	HY9910-650340	"S" Hook	4	9.45
69	HY9910-320640	Chain	2	11.63
70	HY9910-320610	Wing Nut	1	2.04
71	HY9910-320620	Washer	1	.82
72	HY9910-320630	Eye Bolt	1	13.53
74	HY9910-620470	Bolts	3	1.56
75	HY9910-200231	Washer	3	1.16
76	HY9910-620240	1-3/8" Male 6 Spline PTO Shaft	1	109.82
77	HY9910-550510	Adapter	1	128.86
78	HY9910-621600	1" Solid Shaft	1	113.22
80	HY9910-580080	Base	1	68.00
81	HY9910-580190	Nut	1	▯
82	HY9910-540300	Bolt (10MAx30)	1	4.08
83	HY9910-589200	Valve Retainer	2	68.34
84	HY9910-580072	Valve Retainer	1	73.10
85	HY9910-550331	Washer	2	.82
86	HY9910-1500350	Shield (D120 standard; D100 opt.)	1	39.78
87	HY9910-320620	Washer	1	.82
88	HY9910-740290	O-Ring	1	1.09
	HY9910-0006	Nameplate (not shown)	1	▯

▯ PLEASE CONTACT US FOR PRIC-

**MODELS: D150 REPLACEMENT PARTS**



Code 4 **A**

Code 4 **A**

Stock No.	Mfg. No.	Parts Inc.	Description	Price Ea.
HYK-7	9910-KIT1735	s	O-Rings Kit	\$ 40.46
HYK-8	9910-KIT1730	n	Diaphragm Kit	143.14
HYK-9	9910-KIT1790	p	Valve Kit	252.62

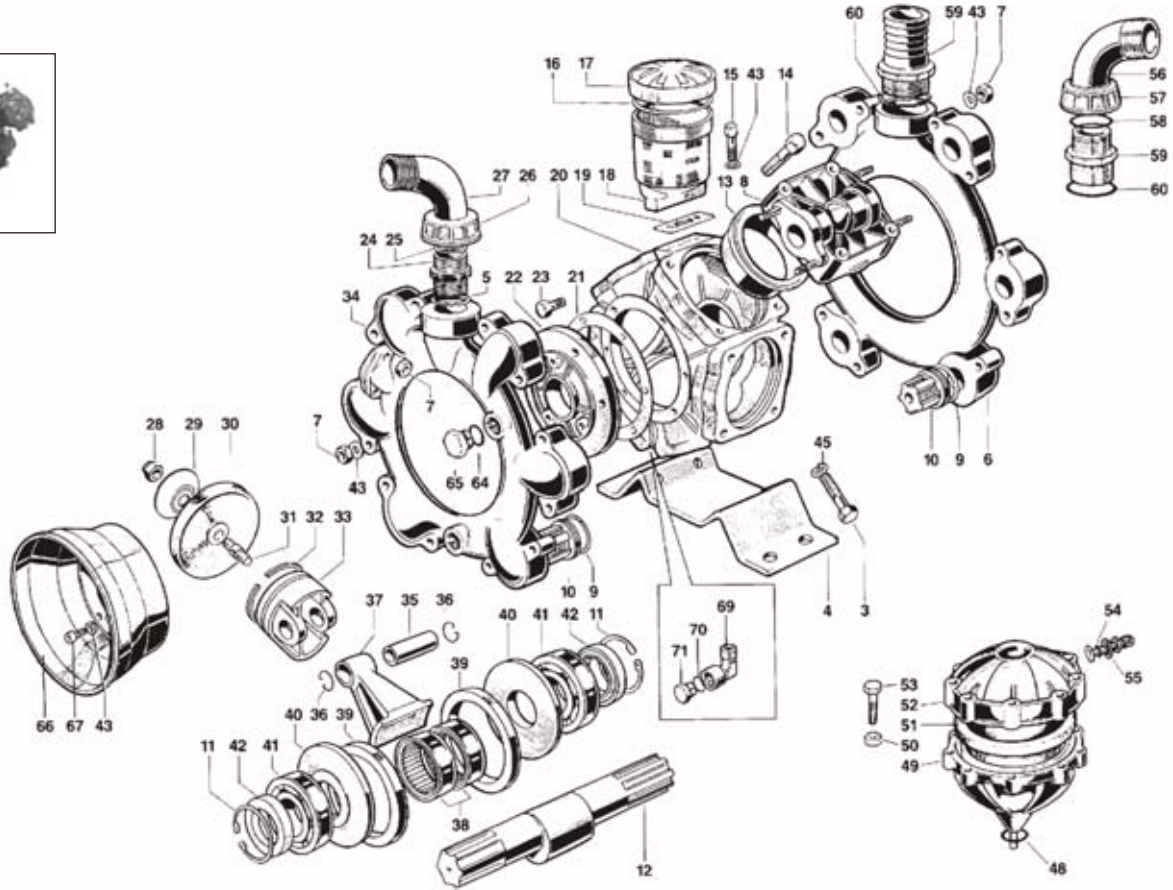
REF. NO.	STOCK NUMBER	DESCRIPTION	QTY. REQ'D.	PRICE EA.
1	HY9910-760020	2" Hose Barb Inlet	1	\$ 29.58
2	HY9910-760040	Barb Nut	1	13.26
s3	HY9910-620210	O-Ring	1	1.56
4	HY9910-760030	Threaded Adapter	1	19.38
s5	HY9910-250310	O-Ring	2	1.29
6	HY9910-760220	Suction Manifold	1	527.00
7	HY9910-380240	Nut	16	.82
8	HY9910-750100	Head Assembly	4	137.70
pns9	HY9910-680070	O-Ring	8	2.65
p10	HY9910-759050	Check Valve Assembly	8	29.24
7	HY9910-750070	Bolt (12MAx70)	4	7.14
12	HY9910-130171	Oil Drain Plug	1	3.06
13	HY9910-750110	Piston Sleeve	4	98.94
14	HY9910-750060	Bolt (12MAx65)	12	6.46
15	HY9910-680350	Bolt (12MAx30)	2	1.56
s16	HY9910-580230	O-Ring	1	2.72
17	HY9910-750053	Cap	1	18.36
18	HY9910-750030	Oil Sight Glass	1	36.04
s19	HY9910-750040	Gasket	1	.95
20	HY9910-760010	Pump Body	1	352.24
s21	HY9910-680250	Gasket	1	3.40
22	HY9910-680020	Bearing Support Housing	1	136.00
23	HY9910-160670	Bolt (10MAx25)	6	2.18
24	HY9910-540530	Threaded Adapter	1	16.32
s25	HY9910-250310	O-Ring	1	1.29
26	HY9910-540540	Barb Nut	1	11.63
27	HY9910-540550	1-1/2" Hose Barb Outlet	1	21.42
28	HY9910-550131	Lock Nut for Retaining Bolt	4	10.00

REF. NO.	STOCK NUMBER	DESCRIPTION	QTY. REQ'D.	PRICE EA.
29	HY9910-580370	Retaining Washer (New Style)	4	7.82
n30	HY9910-550085	Diaphragm - Desmopan (Std.)	4	26.86
30	HY9910-550080	Diaphragm - Buna-N (Opt.)	4	28.90
31	HY9910-580360	Bolt (New Style)	4	9.32
32	HY9910-500260	Piston Ring	4	12.65
33	HY9910-750120	Piston	4	#
34	HY9910-760070	Discharge Manifold	1	381.48
35	HY9910-160700	Connecting Rod Pin	4	25.16
36	HY9910-160691	Retainer Ring	8	1.63
37	HY9910-760140	Connecting Rod	4	66.64
38	HY9910-750090	Roller Bearing	2	212.50
39	HY9910-750130	Spacer Ring	2	38.76
40	HY9910-540040	Spacer Washer	2	38.42
41	HY9910-230350	Ball Bearing	2	113.56
42	HY9910-230380	Seal	2	#
43	HY9910-200390	Retainer Ring	2	8.09
44	HY9910-760200	Base	1	#
45	HY9910-750170	Crankshaft (splined both ends)	1	470.56
47	HY9910-380241	Washer	44	.82
s49	HY9910-390670	Accumulator Stud	2	5.85
50	HY9910-390290	O-Ring	1	1.43
51	HY9910-680180	Accumulator Base	1	95.88
n52	HY9910-390270	Nut (8MAxH6.5)	8	.82
53	HY9910-550190	Damper Diaphragm	1	16.66
54	HY9910-629211	Accumulator Head	1	65.62
s55	HY9910-380250	Bolt (8MAx45)	8	2.72
56	HY9910-650542	O-Ring	1	1.16
57	HY9910-180020	Air Valve	1	#
59	HY9910-1500350	Shield	2	39.78
60	HY9910-850250	Bolt	6	#
65	HY9910-740290	O-Ring	2	1.09

PLEASE CONTACT US FOR PRIC-



**MODEL: D230 REPLACEMENT PARTS**



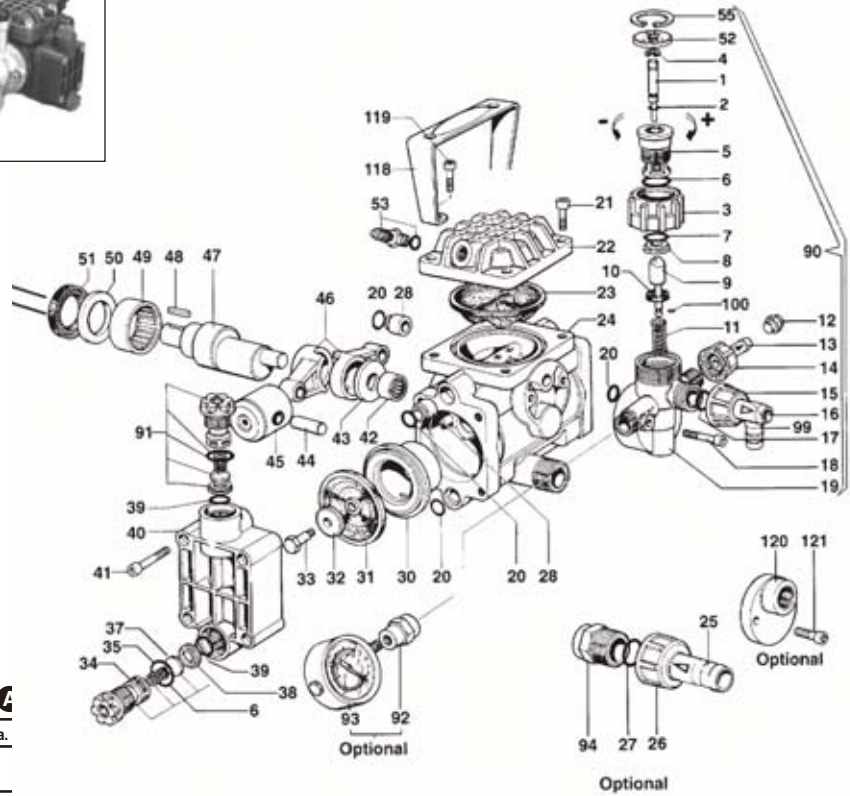
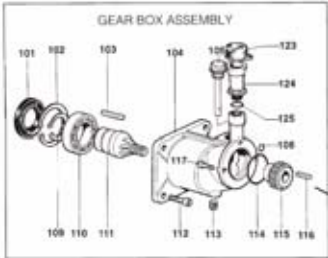
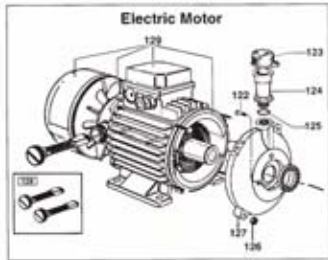
HYK-10	9910-KIT1720	s	O-ring Parts Kit	\$ 40.92
HYK-11	9910-KIT1722	n	Diaphragm Parts Kit	206.38
HYK-12	9910-KIT1907	p	Valve Parts Kit	378.42

REF. NO.	STOCK NUMBER	DESCRIPTION	QTY. REQ'D.	PRICE EA.
3	HY9910-750070	Bolt (12MAX70)	4	\$ 7.14
4	HY9910-750200	Base	1	88.06
5	HY9910-620210	O-Ring	1	1.56
6	HY9910-750220	Suction Manifold	1	449.82
7	HY9910-380240	Nut	24	.82
8	HY9910-750100	Head Assembly	6	137.70
pns9	HY9910-680070	O-Ring	12	2.65
p10	HY9910-759050	Check Valve Assembly	12	29.24
11	HY9910-200390	Retainer Ring	2	8.09
12	HY9910-750170	Crankshaft Splined Both Ends	1	470.56
13	HY9910-750110	Piston Sleeve	6	98.94
14	HY9910-750060	Bolt (12MAX65)	20	6.46
15	HY9910-680350	Bolt (8MAX55)	2	1.56
s16	HY9910-580230	O-Ring	1	2.72
17	HY9910-750053	Cap for Oil Sight Glass	1	18.36
18	HY9910-750030	Oil Sight Glass	1	36.04
s19	HY9910-750040	Gasket	1	.95
20	HY9910-750010	Pump Body	1	586.16
s21	HY9910-680250	Gasket	1	3.40
22	HY9910-680020	Bearing Support Housing	1	136.00
23	HY9910-160670	Bolt (10MAX25)	6	2.18
24	HY9910-540530	Threaded Adapter	1	16.32
s25	HY9910-250310	O-Ring	1	1.29
26	HY9910-540540	Barb Nut	1	11.63
27	HY9910-540550	1-1/2" Hose Barb (Outlet)	1	21.42
28	HY9910-550131	Lock Nut for Retaining Bolt	6	10.00
29	HY9910-580370	Retaining Washer (New Style)	6	7.82
29	HY9910-580090	Retaining Washer (Old Style)	6	⌘
n30	HY9910-550085	Diaphragm - Desmopan (Std.)	6	26.86
30	HY9910-550080	Diaphragm - Buna-N (Opt.)	6	28.90
30	HY9910-55008T	Diaphragm - Teflon (Opt.)	6	31.62
31	HY9910-580360	Bolt (New Style)	6	9.32
31	HY9910-550270	Retaining Bolt (Discontinued)	6	⌘

REF. NO.	STOCK NUMBER	DESCRIPTION	QTY. REQ'D.	PRICE EA.
32	HY9910-500260	Piston Ring	6	\$ 12.65
33	HY9910-750120	Piston	6	⌘
34	HY9910-750420	Discharge Manifold	1	567.46
35	HY9910-160700	Connecting Rod Pin	6	25.16
36	HY9910-160691	Retainer Ring	2	1.63
37	HY9910-750140	Connecting Rod	6	172.72
38	HY9910-750090	Roller Bearing	2	212.50
39	HY9910-750130	Spacer Ring	1	38.76
40	HY9910-540040	Spacer Washer	2	38.42
41	HY9910-230350	Ball Bearing	2	113.56
42	HY9910-230380	Seal	2	⌘
43	HY9910-380241	Washer	32	.82
44	HY9910-330170	Plug	2	4.49
45	HY9910-760300	Adapter	1	174.42
46	HY9910-380240	Nut (8MAXH8)	8	.82
47	HY9910-390670	Accumulator Stud	2	5.85
48	HY9910-390290	O-Ring	2	1.43
49	HY9910-680180	Accumulator Base	1	95.88
50	HY9910-390270	Nut (8MAXH6.5)	8	.82
n51	HY9910-550190	Accumulator Diaphragm	1	16.66
52	HY9910-629211	Accumulator Head	1	65.62
53	HY9910-380250	Bolt (8MAX45)	8	2.72
54	HY9910-650540	O-Ring	1	⌘
55	HY9910-180020	Air Valve	1	27.20
56	HY9910-760020	2" Hose Barb (Inlet)	1	29.58
57	HY9910-760040	Barb Nut	1	13.26
s58	HY9910-620210	O-Ring	1	1.56
59	HY9910-750330	Threaded Adapter	1	20.74
s60	HY9910-30281	O-Ring	1	⌘
64	HY9910-180101	O-Ring	2	.95
65	HY9910-330170	Plug	2	4.49
66	HY9910-1500350	Shield	1	39.78
67	HY9910-850250	Bolt	1	⌘
69	HY9910-750370	Drain Plug Elbow, 1/4"	1	12.24
70	HY9910-820510	O-Ring	1	⌘
71	HY9910-880581	Plug	1	⌘

⌘ PLEASE CONTACT US FOR PRICING

**MODELS: D12GRGI and D12GI/12V DIAPHRAGM PUMP REPLACEMENT PARTS**



Code 4

Stock No.	Mfg. No.	Parts Inc.	Description	Price Ea.
HYK-13	9910-KIT1882	n	Diaphragm Kit	\$46.24
HYK-14	9910-KIT1992	p	Valve Kit	70.72

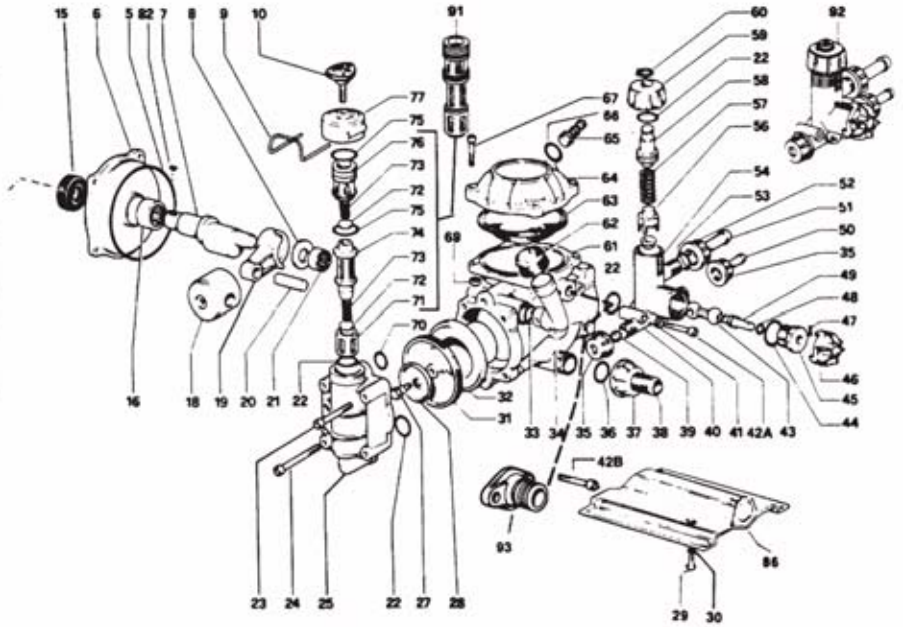
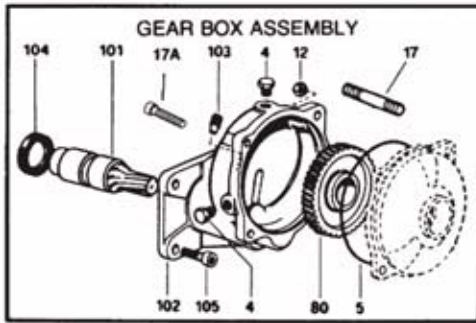
REF. NO.	STOCK NUMBER	DESCRIPTION	QTY. REQ'D.	PRICE EA.
1	HY9910-1200700	Valve Stem	1	\$ 13.19
2	HY9910-1080190	O-Ring	1	.82
3	HY9910-1200361	Adjustment Knob	1	9.93
4	HY9910-395260	Snap Ring	1	.82
5	HY9910-1200371	Seat Retainer	1	11.42
6	HY9910-480440	O-Ring	5	1.16
7	HY9910-1200690	O-Ring	1	1.09
8	HY9910-1200380	Valve Seat	1	10.95
9	HY9910-1200390	Regulator Stem	1	31.96
10	HY9910-1200410	Seal	1	5.44
11	HY9910-1200420	Spring	1	3.47
12	HY9910-800540	Plug	1	1.50
13	HY9910-800531	Hose Barb 3/8"	2	8.36
14	HY9910-800520	Hose Barb Nut	2	5.58
15	HY9910-1200330	Hose Barb Nut	1	5.44
16	HY9910-1200340	Hose Barb 1/2"	1	4.08
17	HY9910-390080	O-Ring	1	.82
18	HY9910-1200440	Bolt	2	1.22
19	HY9910-1200400	Control Unit Body	1	19.72
n20	HY9910-880840	O-Ring	6	.82
21	HY9910-180030	Bolt	4	1.09
21	HY9910-180030	Bolt	4	1.09
21	HY9910-180030	Bolt (12V motor model only)	2	1.09
22	HY9910-1200230	Pulsation Dampener Cover	1	19.72
n23	HY9910-1200190	Pulsation Dampener Diaphragm	1	7.96
24	HY9910-1200010	Body - D12	1	131.58
25	HY9910-800340	Hose Barb	1	4.90
26	HY9910-550450	Hose Barb Nut	1	2.79
27	HY9910-390180	O-Ring	1	.82
28	HY9910-1200220	Connecting Ring	3	4.08
30	HY9910-1200110	Cylinder Sleeve	2	22.44
31	HY9910-1200086	Diaphragm, Desmopan (std.)	2	20.06
n31	HY9910-1200080	Diaphragm, Buna-N (opt.)	2	9.25
32	HY9910-1200300	Washer	2	2.72
33	HY9910-1200090	Bolt	2	7.14
p39	HY9910-394280	O-Ring	5	2.24
40	HY9910-1200100	Head	2	254.66
41	HY9910-800410	Bolt	8	1.56
42	HY9910-1200310	Bearing	1	14.28
43	HY9910-1200160	Spacer	1	4.08
44	HY9910-1200130	Wrist Pin	1	7.96
45	HY9910-1200120	Piston	2	29.24
46	HY9910-1200140	Connecting Rod	2	16.32

REF. NO.	STOCK NUMBER	DESCRIPTION	QTY. REQ'D.	PRICE EA.
47	HY9910-1200170	Shaft	1	\$ 96.56
48	HY9910-1200450	Key	1	1.90
49	HY9910-1200180	Bearing	1	24.48
50	HY9910-1200150	Thrust Ring	1	4.08
51	HY9910-1200200	Seal	1	16.32
52	HY9910-1200351	Valve Disc	1	5.64
53	HY9910-1200280	Air Valve/O-Ring Assembly	1	20.06
55	HY9910-1200710	Snap Ring	1	3.26
90	HY9910-KIT1994	Regulator Assembly	1	110.16
p91	HY9910-1209050	Valve Assembly	2	18.02
92	HY9910-801060	Adapter	opt.	8.57
93	HY2641-0005	Gauge	opt.	31.96
94	HY9910-1200850	Adapter	1	35.70
99	HY9910-1200860	Hose Barb 1/2" Elbow	1	12.24
100	HY9910-1200890	O-Ring	1	.82
101	HY9910-881660	Seal	1	15.98
102	HY9910-881670	Snap Ring	1	2.86
103	HY9910-881090	Key	1	7.41
104	HY9910-1201000	Body-Gearbox	1	341.02
105	HY9910-880130	Dipstick	1	9.72
106	HY9910-1200030	Plug	1	4.76
107	HY9910-394280	O-Ring	1	2.24
n108	HY9910-880840	O-Ring	1	.82
109	HY9910-320242	Snap Ring	1	1.36
110	HY9910-881650	Bearing	1	25.16
111	HY9910-1201030	Pinion Gear 5/8" Hollow	1	328.44
112	HY9910-620440	Bolt	4	6.60
113	HY9910-620301	Plug	1	2.86
114	HY9910-1200980	O-Ring	1	2.79
115	HY9910-1201010	Gear	1	235.96
116	HY9910-1200450	Key	1	1.90
117	HY9910-780330	Bolt	2	1.77
118	HY9910-800390	Carry Handle (12V motor model only)	1	7.96
119	HY9910-9320360	Bolt (12V motor model only)	2	1.09
120	HY9910-1200650	3/8" Flange (opt.)	1	47.60
121	HY9910-1040370	Bolt (optional)	2	2.86
122	HY9910-1200430	Bolt	2	■
123	HY9910-880330	Oil Reservoir Plug	1	■
124	HY9910-1201100	Oil Reservoir	1	4.22
125	HY9910-770140	O-Ring	1	.82
126	HY9910-480640	Nut	4	.82
127	HY9910-120020	Motor Face	1	■
128	HY9910-1201450	Brush Set	1	■
129	HY9910-4510	12 Volt Motor	1	■

■ PLEASE CONTACT US FOR PRICING



**MODELS: D19, D19GR, D19RGI REPLACEMENT PARTS**



Code 4 **A**

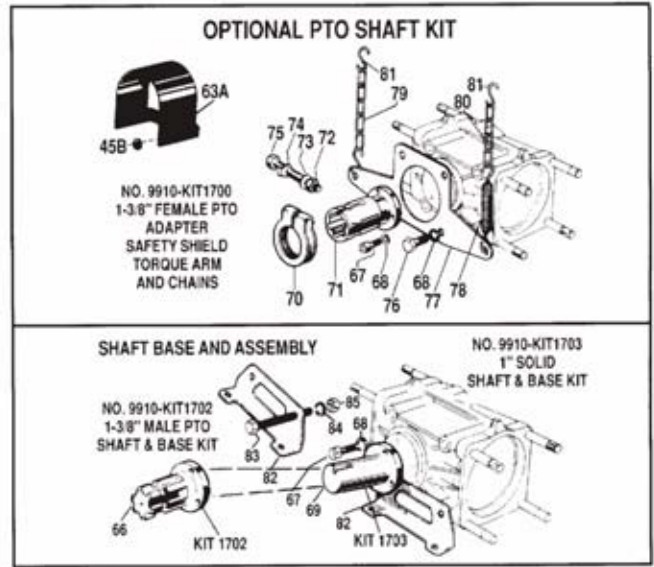
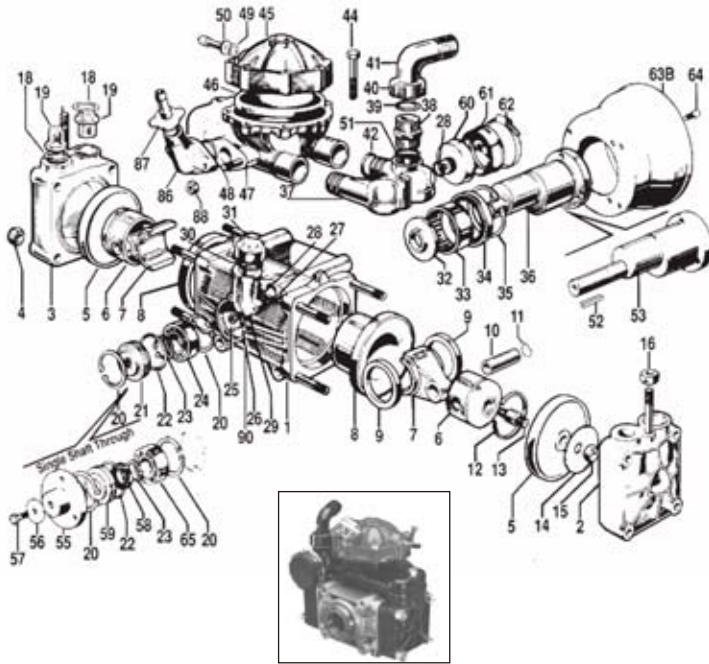
Stock No.	Mfg. No.	Parts Inc.	Description	Price Ea.
HYK-17	9910-KIT1913	s	O-Ring Kit	\$36.04
HYK-18	9910-KIT1960	l	Gear Box Seal Kit	37.40
HYK-19	9910-KIT1723	n	Diaphragm Kit	53.38
HYK-20	9910-KIT1914	p	Valve Kit	81.60

Ref. No.	Qty Req'd	Stock No.	Description	Price
s5	2	HY9910-800380	O-Ring	\$ 7.34
6	1	HY9910-800020	Front Housing	59.50
7	1	HY9910-800171	Crankshaft G.R. Version	142.12
7	1	HY9910-800172	Crankshaft 3/4" Shaft	157.76
8	1	HY9910-800160	Spacer Washer	2.11
9	2	HY9910-800150	Spring Locking Clip	7.14
10	2	HY9910-800376	Retainer Knob	9.72
15	1	HY9910-800200	Seal	15.64
16	1	HY9910-800180	Roller Bearing	21.08
17	4	HY9910-550330	Stud	1.77
17A	4	HY9910-850850	Bolt (6MAx 30)	1.56
18	2	HY9910-800120	Piston	36.38
19	2	HY9910-800140	Connecting Rod	23.46
20	2	HY9910-800130	Connecting Rod Pin	10.20
21	1	HY9910-480370	Roller Bearing	21.42
ns22	7	HY9910-480440	O-Ring	1.16
23	1	HY9910-680360	Bolt for Oil Tube	2.52
24	7	HY9910-800220	Head Bolt	2.38
25	2	HY9910-800100	Head	51.68
27	2	HY9910-800900	Diaphragm Bolt	5.78
28	2	HY9910-800350	Diaphragm Washer	6.26
29	2	HY9910-180431	Bolt (8MAx15)	1.02
30	2	HY9910-380241	Lock Washers	.82
n31	2	HY9910-800085	Diaphragm Desmopan (std.)	17.00
31	2	HY9910-800080	Diaphragm Buna-N (opt.)	12.85
31	2	HY9910-80008T	Diaphragm Teflon (opt.)	21.76
32	2	HY9910-800110	Piston Sleeve	41.14
s33	1	HY9910-740290	O-Ring	1.09
34	1	HY9910-800230	Oil Sight Glass	18.70
35	2	HY9910-800520	Barb Nut	5.58
s36	1	HY9910-390180	O-Ring	.82
37	1	HY9910-550450	Barb Nut	2.79
38	1	HY9910-800340	3/4" Nut	4.90
39	1	HY9910-800540	Plug	1.50
40	1	HY9910-800400	Body Incl. Valve Seat	53.72
41	2	HY9910-550331	Lock Washer	.82
42A	2	HY9910-800410	Bolt (6MAx40)	1.56
42B	2	HY9910-680700	Bolt (6MAx20)	6.32
43	1	HY9910-800430	Floating Valve	6.53
45	1	HY9910-800500	Locking Bolt	5.44
46	1	HY9910-800510	Pressure Knob	5.78
47	1	HY9910-390330	Locking Pin	1.63
s48	1	HY9910-800560	O-Ring	.82
49	1	HY9910-800490	Positioning Rod	4.76
50	1	HY9910-800530	3/8" Outlet Hose Barb	4.56
51	1	HY9910-800670	5/8" Bypass Barb (std.)	3.81
51	1	HY9910-800671	1/2" Bypass Barb (opt.)	5.10

Ref. No.	Qty Req'd	Stock No.	Description	Price
52	1	HY9910-800680	Barb Nut	\$ 5.44
s53	1	HY9910-770140	O-Ring	.82
54	1	HY9910-800480	Indicator Scale	1.22
56	1	HY9910-800440	Seat Holder	3.40
57	1	HY9910-800450	Tension Spring	3.67
58	1	HY9910-800460	Plunger	4.56
59	1	HY9910-800470	Adjustment Cap	6.87
60	1	HY9910-480550	Retainer Ring	.82
61	1	HY9910-800010	Pump Body	200.26
62	1	HY9910-800330	Cap for Sight Glass	4.15
n63	1	HY9910-800190	Accumulator Diaphragm	13.19
63	1	HY9910-80019T	Accumulator Diaph. Teflon (opt.)	22.44
64	1	HY9910-800230	Accumulator Head	65.28
65	1	HY9910-800650	Air Valve Assembly	17.34
s66	1	HY9910-390340	O-Ring	1.09
67	4	HY9910-540290	Bolt (8MAx35)	2.04
69	2	HY9910-380240	Nut	.82
70	2	HY9910-800210	O-Ring	.82
71	2		Check Valve Cage (inlet)	Not sold separately
72	4	HY9910-809050	Poppet	33.32
73	4		Tension Spring	Not sold separately
74	2		Check Valve Seat	Not sold separately
pns75	4	HY9910-200540	O-Ring	1.16
76	2		Check Valve Cage (outlet)	Not sold separately
77	2	HY9910-800360	Valve Cap	9.11
80	1	HY9910-800280	Gear	144.84
82	1	HY9910-800590	Key	4.28
86	1	HY9910-800311	Base Plate	22.78
p91	2	HY9910-809050	Valve Assembly	33.32
92	1	HY9910-KIT1990	Relief Valve Assembly	102.00
93	1	HY9910-800691	Port Adapter 1/2" NPT Male	30.94
<b>GEAR BOX ASSEMBLY</b>				
4	2	HY9910-620301	Plug	2.86
12	4	HY9910-390440	Nut	.82
80	1	HY9910-800280	Gear	144.84
101	1	HY9910-800810	Driver Gear, 3/4" Shaft Only	192.78
101	1	HY9910-801230	Driver Gear, 5/8" Shaft Only	254.32
102	1	HY9910-800820	Body	155.72
103	1	HY9910-800800	Locating Bolt	6.12
104	1	HY9910-480820	Seal	16.32
105	4	HY9910-620440	Bolt	6.60

PLEASE CONTACT US FOR PRIC-

**MODELS: D30, D30GRGI, D30B-GRGI & D30AP-A REPLACEMENTS PARTS**



Stock No.	Mfg. No.	Parts Inc.	Description	Price Ea.
HYK-21	9910-KIT1916	s	O-Ring Kit	\$ 37.06
HYK-22	9910-KIT2110	n	Diaphragm Buna-N	67.32
HYK-23	9910-KIT1724	l	Diaphragm Desmopan	68.00
HYK-24	9910-KIT1917	p	Valve Kit	109.14

Code 4 **A**

REF. NO.	STOCK NUMBER	DESCRIPTION	QTY. REQ'D.	PRICE EA.
1	HY9910-629011	Pump Body	1	\$193.12
2	HY9910-620101	Head (Right Hand)(DX)	1	89.42
3	HY9910-620102	Head (Left Hand)(SX)	1	93.50
4	HY9910-320130	Nut (12MA)	8	1.16
n5	HY9910-620085	Diaph. Desmopan (std.)	2	24.82
5	HY9910-620080	Diaph. Buna-N (opt.)	2	23.46
5	HY9910-62008T	Diaphragm, Teflon (opt.)	2	34.34
6	HY9910-620120	Piston	2	41.82
7	HY9910-620140	Connecting Rod	2	34.34
8	HY9910-620110	Piston sleeve	2	61.54
9	HY9910-580130	Retainer ring	2	11.22
10	HY9910-380300	Connecting Rod Pin	2	18.02
11	HY9910-380080	Retainer Ring	4	1.06
12	HY9910-160230	Piston Ring	2	9.04
13	HY9910-580360	Retaining Bolt	2	9.32
14	HY9910-620090	Retaining Washer	2	7.55
15	HY9910-550131	Lock Nut	2	10.00
16	HY9910-180150	Nut (10MA)	2	1.02
18	HY9910-620030	O-Ring	4	1.16
p19	HY9910-1409050	Check Valve Assembly	4	21.08
20	HY9910-11120	Retainer Ring	1	8.64
21	HY9910-620026	Oil Sealing Cap	1	4.96
s22	HY9910-620210	O-ring	1	1.56
23	HY9910-620291	Retaining Ring	1	5.17
24	HY9910-620190	Ball Bearing	1	123.42
25	HY9910-390440	Nut	2	.82
26	HY9910-550331	Washer	2	.82
27	HY9910-550330	Stud	1	1.77
s28	HY9910-180101	O-ring	1	.95
29	HY9910-550030	Oil Sight Glass	1	11.49
s30	HY9910-550040	O-ring	1	1.16
31	HY9910-550056	Cap for Oil Sight Glass	1	7.41
32	HY9910-620160	Spacer Washer	1	3.40
33	HY9910-550060	Roller Bearings	1	46.92
34	HY-9910-620130	Seal	1	15.64
35	HY9910-620330	Retainer Ring	1	8.30
36	HY9910-620170	Crankshaft	1	197.54
37	HY9910-620150	Manifold	1	70.38
38	HY9910-550340	Threaded Adapter	1	5.85
s39	HY9910-550350	O-Ring	1	.95
40	HY9910-550242	Barb Nut	1	4.76
41	HY9910-550370	Hose Barb	1	9.18
s42	HY9910-390060	O-Ring	4	.95
44	HY9910-621780	Bolt (8MAx40)	8	1.97
45	HY9910-620230	Accumulator Head	1	
45B	HY2270-0004	Washer	2	.75

REF. NO.	STOCK NUMBER	DESCRIPTION	QTY. REQ'D.	PRICE EA.
46	HY9910-550190	Accumulator Diaphragm	1	\$ 16.66
47	HY9910-55019T	Accumulator Diaph. Teflon (opt.)	1	26.18
48	HY9910-622070	Accumulator Manifold	1	152.66
48	HY9910-30211	Studs	2	2.65
s49	HY9910-650542	O-Ring	1	1.16
50	HY9910-180020	Air Valve	1	27.20
s51	HY9910-390290	O-Ring	1	1.43
52	HY9910-620680	Key (AP-A Model)	1	2.31
53	HY9910-620172	Crankshaft 20 mm Thrushaft	1	299.88
53	HY9910-620174	Crankshaft, 3/4" solid (AP-A Model)	1	299.88
55	HY9910-620661	Retainer (AP-A Model)	1	105.06
56	HY9910-620670	Washer (AP-A Model)	1	5.30
57	HY9910-180370	Bolt (AP-A Model)	1	2.86
58	HY9910-620630	Seal (AP-A Model)	1	8.91
59	HY9910-620021	Spacer (AP-A Model)	1	25.50
60	HY9910-650660	Dampener Body	1	28.22
61	HY9910-650670	Dampener Diaphragm	1	9.79
62	HY9910-650690	Clamp	1	13.06
63A	HY2840-0028	Steel Safety Shield	1	37.74
63B	HY9910-1500350	Durable Plastic Shield (opt.)	1	39.78
64	HY9910-820670	Bolt (10MAx16)	4	1.56
65	HY9910-620190	Ball Bearing (AP-A Model)	1	123.42
66	HY9910-620240	Male 6-Spline 1-3/8" PTO Shaft	1	109.82
67	HY9910-620470	Bolt (10MAx20)	3	1.56
68	HY9910-200231	Lock Washer	4	1.16
69	HY9910-621600	1" Solid Shaft	1	113.22
70	HY9910-500160	Collar	1	15.30
71	HY9910-620270	Femal 6-Spline 1-3/8" Coupler	1	163.20
72	HY9910-320130	Nut	1	1.16
73	HY9910-320131	Washer	1	.82
74	HY9910-500171	Lock Retaining Washer	1	2.52
75	HY9910-320170	Bolt (12MAx75)	1	3.67
76	HY9910-620340	Bolt (12MAx20)	4	1.97
77	HY9910-650350	Torque Bracket	1	93.16
78	HY9910-620650	Torsion Spring	1	29.92
79	HY9910-320640	Chain (450 MM)	1	11.63
80	HY9910-320641	Chain (320 MM)	1	11.29
81	HY9910-320650	"S" Hook	3	2.04
82	HY9910-380200	Base	2	16.32
83	HY9910-380210	Bolt (8MAx75)	2	5.58
84	HY9910-380241	Lock Washer	2	.82
85	HY9910-380240	Nut	2	.82
86	HY9910-450145	Discharge Flange Housing (90°)	1	25.84
87	HY9910-110130	Hose Barb and Nut (1/2" barb)	4	10.74
88	HY9910-390270	Nut	2	.82
89	HY9910-0009	Name Plate (not shown)	1	h
90	HY9910-130171	Plug, Drain	1	3.06

PLEASE CONTACT US FOR PRIC-