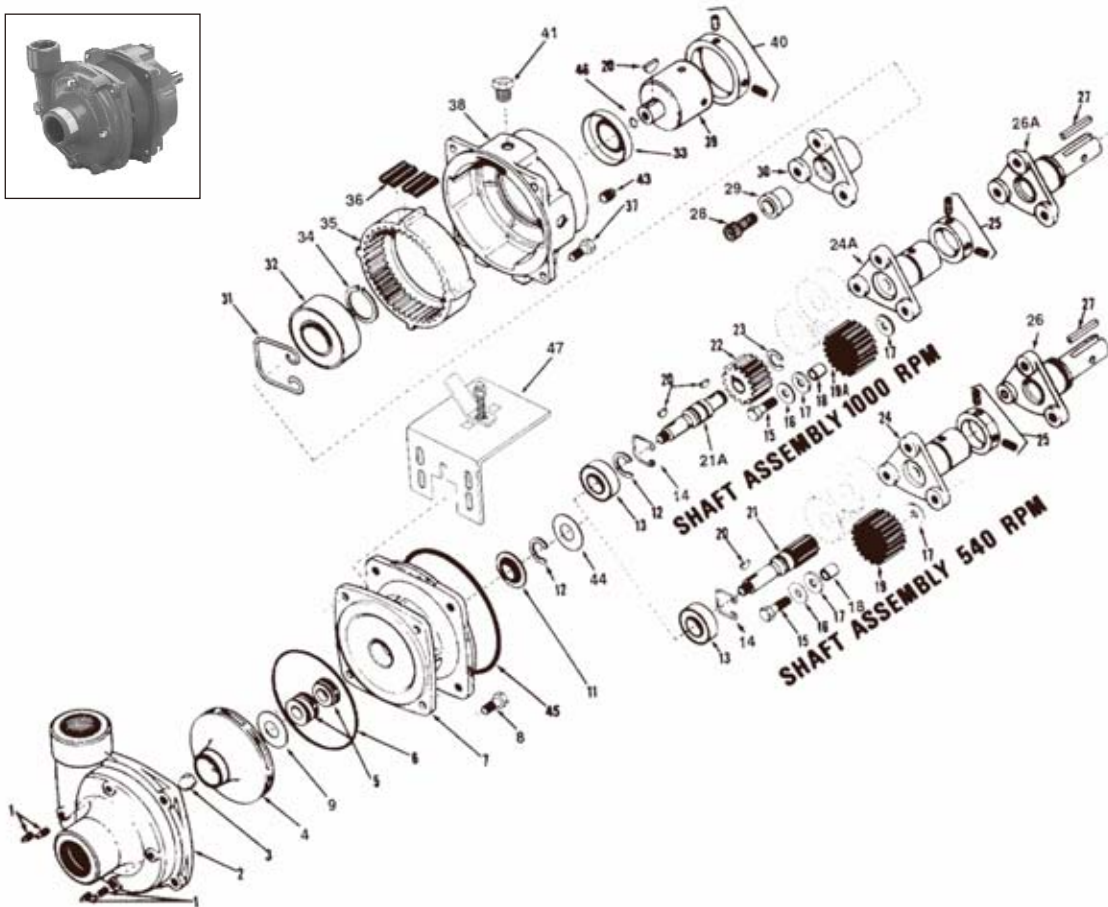


Models 900C-0, 9002C-0, 9006C-0, 9008C-0, 9016C-0, 9018C-0, 9022C-0, 9028C-0



PUMP GREASE AND OIL

Code 4 **A**

Pump Series	Lub	Mfg. No.	Description	Price Ea.
900C-0	Oil	Phillube SAE 80W90 Oil		—
900C	Grease	HY2160-0013	14 oz. Cartridge	\$24.82

Ref. No.	Qty Req'd	Stock No.	Description	Price Ea.
1	4	HY2406-0007	Drain Plug	\$.82
2	1	HY0150-9000C	Casing	163.20
3	1	HY2253-0001	Impeller Nut	4.69
4	1	HY0400-9000P	Impeller (Nylon)	39.44
4	1	HY0403-9000P	Impeller (Poly.)	30.60
5	1	HY2120-0010	Seal Buna-N	24.82
5	1	HY2120-0011	Seal Viton	37.74
6	1	HY1720-0083	O-Ring	2.79
7	1	HY0752-9000C	Adapter (Oil)	229.50
	1	HY0750-9000C	Adapter (Grease)	229.50
8	4	HY2210-0020	Capscrew	.75
11	1	HY2130-0018	Bearing Lip Seal	20.74
12	1/3	HY1810-0013	Retaining Ring	.75
13	1	HY2008-0001	Ball Bearing	13.60
14	1	HY1820-0025	Retaining Ring	2.45
15	3	HY2210-0046	Capscrew	3.47
16	3	HY2270-0003	Washer	.75
17	6	HY2265-0003	Thrust Washer	.75
18	3	HY2007-0022	Bearing Inner Race	5.30
			Gear w/Bearing	
19	3	HY3900-0039	(540 RPM) (Oil)	29.24
	3	HY3900-0015	(540 RPM) (Grease)	39.10
19A	3	HY3900-0040	(1000 RPM) (Oil)	43.18
	3	HY3900-0016	(1000 RPM) (Grease)	52.70
20	1/2	HY1610-0012	Woodruff Key	1.02
21	1	HY3900-0010	Pinion Gear (540 RPM)	136.68
21A	1	HY0500-9002	Shaft (1000 RPM)	201.62
22	1	HY3900-0013	Sun Gear (1000 RPM)	58.82

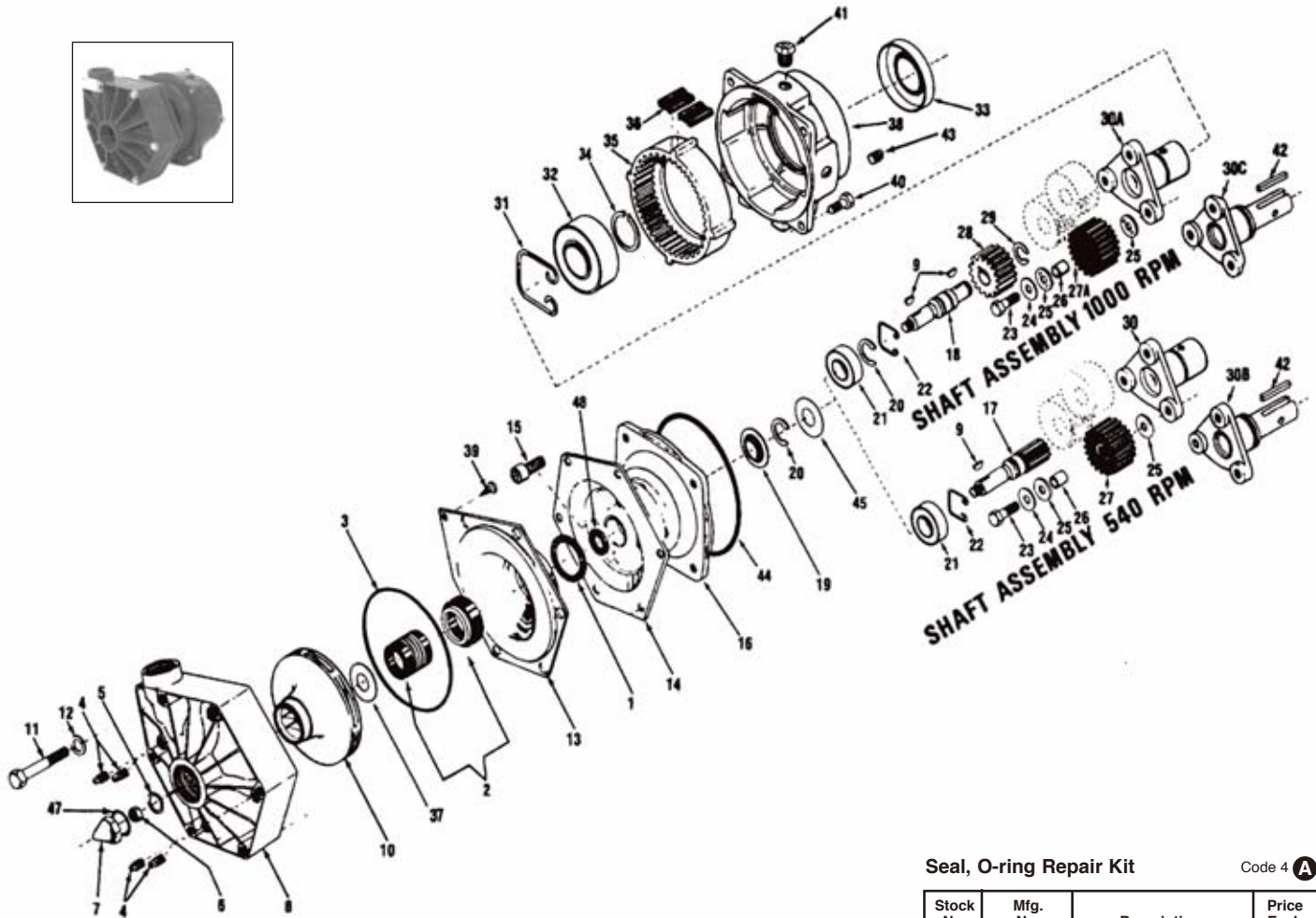
SEAL, O-RING REPAIR KIT

Code 4 **A**

Stock No.	Mfg. No.	Description	Price Ea.
HYK-50	3430-0333	consists of: (1) Ref. 5 Mechanical Seal (1) Ref. 6 O-ring and (1) Ref. 9 Gasket.	\$64.50

Ref. No.	Qty Req'd	Stock No.	Description	Price Ea.
23	1	HY1810-0011	Ring (1000 RPM)	\$.95
24	1	HY0562-9000D	Hub (Models 9006C-0)	109.14
	1	HY0560-9000D	Hub (Models 9006C)	109.14
24A	1	HY0562-9002D	Hub (Models 9008C-0)	126.82
24A	1	HY0560-9002D	Hub (Models 9008C)	126.82
26	1	HY0501-9016D	Hub (Models 9016C-0)	116.96
26A	1	HY0501-9018D	Hub (Models 9018C/0)	133.62
27	1	HY1610-0005	Key	1.02
31	1	HY1800-0014	Retaining Ring	14.96
32	1	HY2005-0002	Ball Bearing	120.36
33	1	HY2102-0025	Seal (Grease Models)	7.14
34	1	HY1410-0006	Slinger (Grease Models)	1.97
	1	HY1810-0001	Ring except (9028C-01)	1.36
35	1	HY3900-0009	Ring Gear	57.46
36	8	HY1450-0004	Cushion Bumper	.75
37	4	HY2210-0026	Capscrew	.75
38	1	HY0754-9000C	Casing (Oil Models)	141.78
39	1	HY0550-1322F4	Hub (9028C-0)	226.78
40	1	HY3430-0190	Collar Kit (9028C-0)	46.24
41	1	HY2630-0005	Oil Fill Plug	17.00
42	1	HY1720-0029	O-Ring	.75
43	2	HY2406-0019	Oil Plug	1.43
44	1	HY1720-0139	O-Ring	2.79
45	1	HY1700-0098	Gasket	.75

MODELS 9006P-O, 9008P-O, 9016P-O, 9018P-O



Seal, O-ring Repair Kit

Code 4 **A**

Stock No.	Mfg. No.	Description	Price Each
HYK-50	3430-0333	Consists of (1) Ref. 2 Mechanical Seal, (1) Ref. 3 O-ring (1) Ref 5 Washer, (1) Ref. 37 Gasket and (1) Ref. 47 Gasket	\$64.60

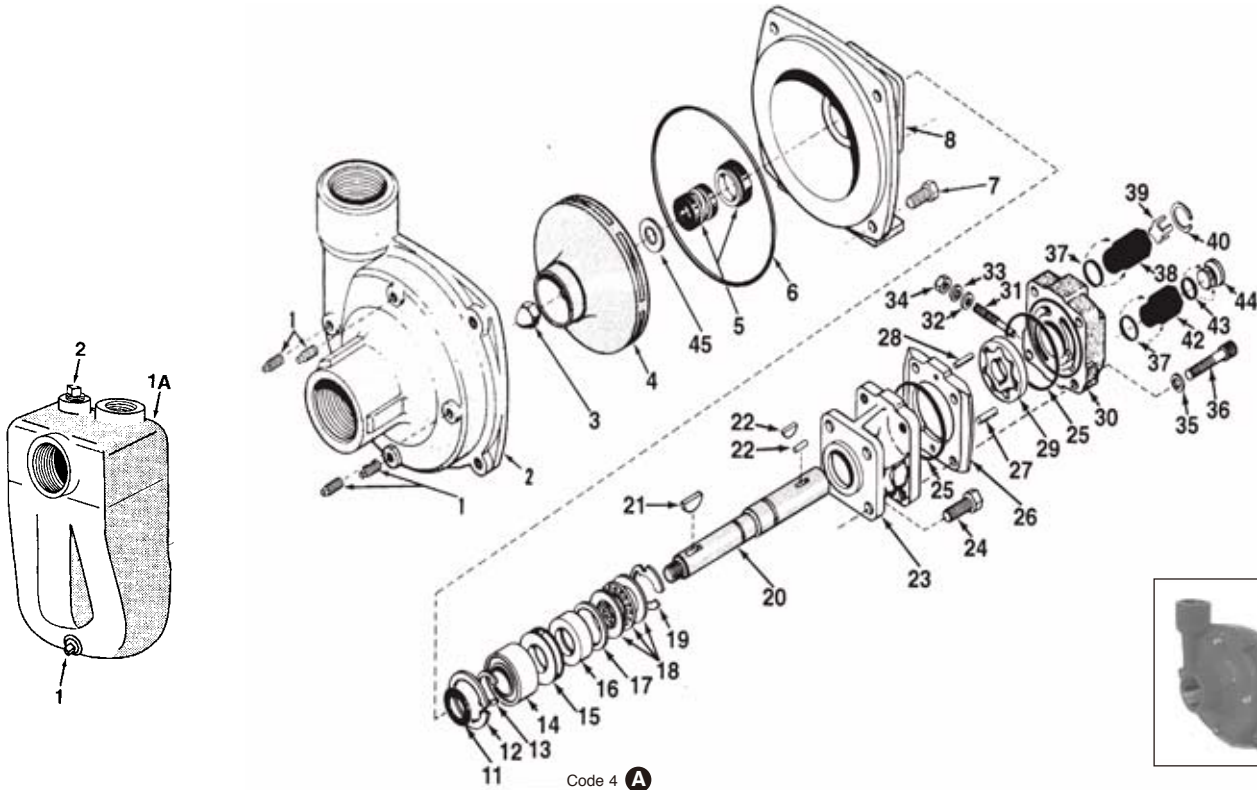
Pump Series	Lub	Mfg. No.	Description	Price Ea.
900C-0	Oil	Phillube SAE 80W90 Oil		-
900C	Grease	HY2160-0013	14 oz. Cartridge	\$24.82

Code 4 **A**

Ref. No.	Qnty. Req'd	Stock No.	Description	Price
1	1	HY1410-0082	Spacer	\$ 3.88
2	1	HY2120-0011	Mechanical Seal	37.74
3	1	HY1721-0083	O-Ring	13.40
4	4	HY2406-0020	Plug	.75
5	1	HY2270-0057	Washer	1.77
6	1	HY2250-0051	Jam Nut	\$ 1.77
7	1	HY2250-0052	Impeller Nut	1.29
8	1	HY0700-9000P	Pump Casing	43.52
9	HH	HY1610-0012	Woodruff Key	1.02
10	1	HY0403-9000P	Impeller (Poly)	\$ 30.60
11	6	HY2210-0087	Capscrew	.95
12	6	HY2270-0041	Washer	.82
13	1	HY0750-9000P	Back Cover	18.70
14	1	HY0750-9006C	Flange	183.60
15	4	HY2220-0013	Capscrew	\$ 1.36
16	1	HY0751-9006C	Flange	203.66
17	1	HY0503-9000	Shaft (9006P)	206.72
18	1	HY0500-9002	Shaft (9008P)	201.62
19	1	HY2130-0018	Bearing Lip Seal	20.74
20	1 - 2	HY1810-0013	Retaining Ring	\$.75
21	1	HY2008-0001	Ball Bearing	13.60
22	1	HY1820-0025	Retaining Ring	2.45
23	3	HY2210-0046	Capscrew	3.47
24	3	HY2270-0003	Washer	.75
25	6	HY2265-0003	Thrustwasher	.75

Ref. No.	Qnty. Req'd	Stock No.	Description	Price
26	3	HY2007-0022	Bearing Inner Race	\$ 5.30
27	3	HY3900-0039	Gear (9006P)	29.24
27A	3	HY3900-0040	Gear (9008P)	43.18
28	1	HY3900-0013	Gear (9008P)	58.82
29	1	HY1810-0011	Ring (9008P)	.95
30	1	HY0562-9000D	Hub 540 rpm	\$109.14
30A	1	HY0562-9002D	Hub 1000 rpm	126.82
30B	1	HY0501-9016D	Shaft 540 rpm	116.96
30C	1	HY0501-9018D	Shaft 1000 rpm	133.62
31	1	HY1800-0014	Retaining Ring	14.96
32	1	HY2005-0002	Ball Bearing	\$120.36
33	1	HY2102-0025	Seal (Grease)	7.14
33	1	HY2102-0026	Seal (Oil Models)	10.13
34	1	HY1810-0001	Retaining Ring	1.36
35	1	HY3900-0009	Ring Gear	57.46
36	8	HY1450-0004	Cushion Bumper	.75
37	1	HY1700-0101	Gasket	4.90
38	1	HY0754-9000C	Gear Casing	\$141.78
39	1	HY2210-0088	Head Screw	.75
40	4	HY2210-0026	Capscrew	.75
41	1	HY2404-0193	Breather Vent	17.34
43	3	HY2406-0019	Oil Plug	1.43
44	1	HY1720-0139	O-Ring	\$ 2.79
45	1	HY1700-0098	Gasket	.75
47	1	HY1700-0097	Gasket	6.66
48	1	HY1410-0083	Slinger Ring	1.70

MODELS: 9303C-HMIC, 9303C-HM2C, 9303C-HM3C, 9303C-HM4C & 9303 -HM5C
9303C-HM1C-SP, 9303C-HM2C-SP, 9303-HM3C-SP, 9303-HM4C-SP & 9303C-HM5C-SP



Code 4 **A**

	Stock No.	Mfg. No.	Description	Price Ea.
Repair Kits	HYK-38	3430-0332	Pump Seal Kit	\$51.00
	HYK-41	3430-0178	Motor Bearing & Seal Kit	38.42
	HYK-42	3430-0187	HM4 Adapter Kit	19.72
Replacement Hydraulic Motors	2500-9	2500-0009C	Hydraulic Motor 9303C-HM1C	\$564.74
	2500-10	2500-0010C	Hydraulic Motor 9303C-HM2C	564.74
	2500-11	2500-0011C	Hydraulic Motor 9303C-HM3C	636.14
	2500-12	2500-0012C	Hydraulic Motor 9303C-HM4C	564.74
	2500-18	2500-0018C	Hydraulic Motor 9303C-HM5C	564.74
Pump Only	HYK-44	—	9303C Unassembled Pump	\$367.24

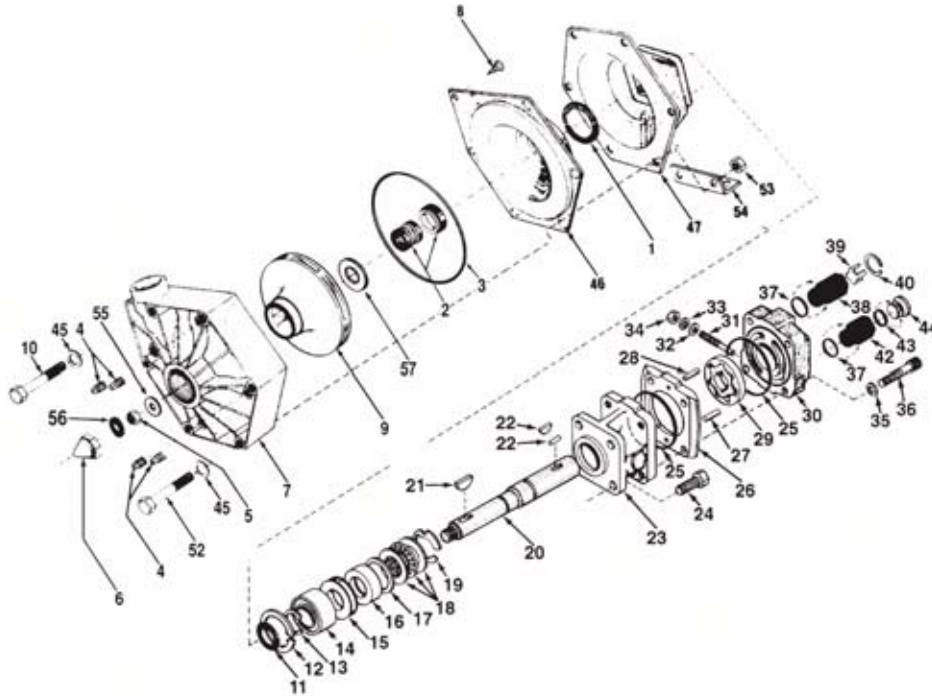


Code 4 **A**

REF. NO.	STOCK NUMBER	DESCRIPTION	QTY. REQ'D.	PRICE EA.
1A	HY3430-0480SP	Pump Casing (Self Priming) (includes a stainless steel wear ring)	1	\$442.00
1B	HY0150-9000C	Pump Casing (Volute)(includes a stainless steel wear ring)	1	163.20
1	HY2406-0007	Drain/Vent Plug	1/4	.82
2	HY2406-0001	Vent Plug (Not sold separately)	1	
3	HY2253-0002	Impeller Nut Cap	1	3.20
4	HY0401-9100P	Impeller (Nylglass, std.)	1	37.74
4	HY0402-9100P	Impeller (Optional Polypropylene)	1	35.70
5	HY2120-0008	Mechanical Seal (Buna-N) 9301 Models	1	24.48
5	HY2120-0009	Mechanical Seal (Viton) 9303 Models	1	43.86
6	HY1720-0083	O-ring	1	2.79
7	HY2210-0020	Hex Head Capscrew	4	.75
8	HY0750-9300C	Mounting Flange	1	103.70
11	HY1410-0056	Slinger Ring	1	.88
12	HY1820-0013	Retaining Ring	1	.95
13	HY1810-0014	Snap Ring	1	.75
14	HY2000-0010	Ball Bearing	1	9.18
15	HY1410-0073	Spacer	1	5.17
16	HY2104-0005	Shaft Seal	1	21.08
17	HY1410-0074	Seal Spacer	1	.95
18	HY2029-0014	Thrust Bearing Assembly - Consists of: (1) Thrust Bearing & (2) Thrust Brg. Races	1	15.64
19	HY1810-0026	Snap Ring	1	.88
20	HY0509-2500	Shaft (HM2C & HM4C Models) 6-3/4" long	1	188.02
20	HY0510-2500	Shaft (HM3C Models) 7-1/2" Long	1	211.82
21	HY1610-0012	Woodruff Key	1	1.02
22	HY1610-0032	Roll Pin (HM2C & HM4C Models)	1	4.76
22	HY1610-0031	Roll Pin (HM1C & HM5C Models)	1	3.88
22	HY1610-0030	Woodruff Key (HM3C Models)	1	2.11
23	HY0151-2500C	Front Motor Body (Includes Main Bearing)	1	200.26
24	HY2210-0005	Hex Head Capscrew	4	.75
25	HY1720-0110	O-ring	2	.88

REF. NO.	STOCK NUMBER	DESCRIPTION	QTY. REQ'D.	PRICE EA.
26	HY0701-2500C	Gerotor Housing (HM2C Models)1/4" Wide	1	\$111.52
26	HY0700-2500C	Gerotor Housing (HM1C Models)1/2" Wide	1	101.32
26	HY0703-2500C	Gerotor Housing (HM4C Models)5/16" Wide	1	101.32
26	HY0702-2500C	Gerotor Housing (HM3C Models)1" Wide	1	129.54
26	HY0704-2500C	Gerotor Housing (HM5C Models)5/8" Wide	1	108.80
27	HY1600-0045	Dowel Pin (HM2C & HM4C Models)	1	12.10
27	HY1600-0044	Dowel Pin (HM1C & HM5C Models)	1	15.64
27	HY1600-0052	Dowel Pin (HM3C Models)	1	22.44
28	HY1600-0042	Dowel Pin (HM2C & HM4C Models)	1	12.10
28	HY1600-0037	Dowel Pin (HM1C & HM5C Models)	1	15.30
28	HY1600-0051	Dowel Pin (HM3C Models)	1	22.44
29	HY3900-0022	Gerotor (HM1C Models)	1	170.00
29	HY3900-0023	Gerotor (HM2C Models)	1	154.70
29	HY3900-0024	Gerotor (HM3C Models)	1	207.74
29	HY3900-0025	Gerotor (HM4C Models)	1	162.86
29	HY3900-0048	Gerotor (HM5C Models)	1	173.06
30	HY0251-2500C	Motor end Plate (includes Main Bearing)	1	122.06
31	HY3220-0029	Bypass Adjusting Screw	1	5.98
32	HY1700-0047	Gasket	1	3.40
33	HY2270-0027	Washer	1	1.50
34	HY2250-0038	Lock Nut	1	.75
35	HY2270-0039	Washer	4	.75
36	HY2220-0045	Capscrew (HM2C & HM4C Models)	4	1.22
36	HY2220-0021	Capscrew (HM1C & HM5C Models)	4	1.56
36	HY2220-0044	Capscrew (HM3C Models)	4	2.72
37	HY1720-0108	O-ring	2	.75
38	HY3320-0016	Tank Port Adapter	1	13.94
39	HY3260-0039	Poppet	1	2.79
40	HY1820-0023	Retaining Ring	1	.75
42	HY3360-0021	Pressure Port Adapter	1	10.40
43	HY1720-0105	Orifice O-ring (HM2C & HM4C Models only)	1	.75
44	HY3373-0020	Metering Orifice	1	1.97
	HY3373-0021	(HM2C & HM4C Models Only)	1	1.97
	HY3373-0022		1	1.97
45	HY1700-0100	Rubber Gasket	1	4.08

MODELS: 9303P-HM1C, 9303P-HM3C & 9303P-HM4C



Code 4 **A**

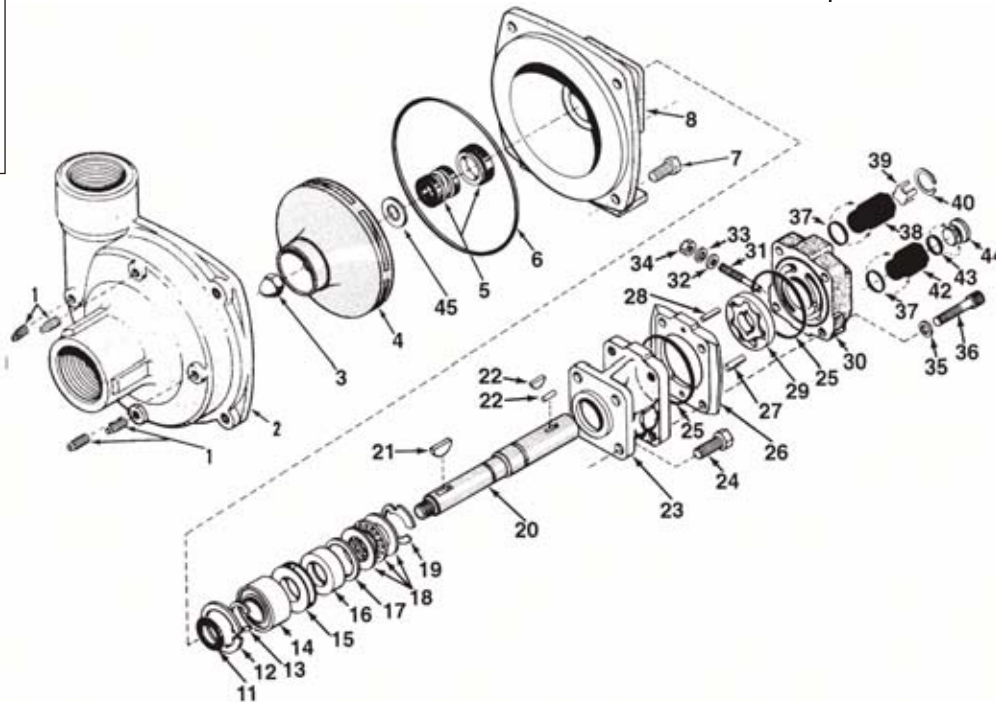
Description	Price Ea.
Repair Parts Kit No. 3430-0445 Contains: One mechanical seal (Ref. 2), one o-ring (Ref. 3), one washer (Ref. 55), one gasket (Ref. 56) and one rubber gasket (Ref. 57)	\$ 71.06
Parts Kit No. 3430-0178 Contains: One each ball bearing (Ref. 14), motor shaft seal (Ref.16), thread seal gasket (Ref. 23), and washer (Ref. 33), two each motor housing o-rings (Ref. 25), and port adapter o-rings (Ref. 37)	38.42
Hydraulic Motor Part #s	
2500-13 2500-0013C (HM3C Models)	817.70
2500-14 2500-0014C (HM4C Models)	765.00
2500-19 2500-0019C (HM1C Models)	765.00

Description	Stock No.	Price Ea.
Adapter Kit No. 3430-0187 (HM4 Models Only): Includes one each Ref. 37, Ref. 42 and Ref. 44, three Ref. 43, three metering orifices one No. 3373-0020 (Size #1), one No. 3373-0021 (Size #2) and one No. 3373-0022 (Size #3).	HYK-42	\$19.72

REF. NO.	PART NUMBER	DESCRIPTION	QTY. REQ'D.	PRICE EA.	REF. NO.	PART NUMBER	DESCRIPTION	QTY. REQ'D.	PRICE EA.
1	HY1410-0082	Spacer	1	\$ 3.88	28	HY1600-0042	Dowel Pin (HM4C Model)	1	\$ 12.10
2	HY2120-0009	Mechanical Seal	1	43.86	28	HY1600-0051	Dowel Pin (HM3C Model)	1	22.44
3	HY1721-0083	O-Ring	1	13.40	28	HY1600-0037	Dowel Pin (HM1C Model)	1	15.30
4	HY2406-0020	Pipe Plug	4	.75	29	HY3900-0025	Gerotor (HM4C Model)	1	162.86
5	HY2250-0051	Jam Nut	1	1.77	29	HY3900-0024	Gerotor (HM3C Model)	1	207.74
6	HY2250-0052	Impeller Nut	1	1.29	29	HY3900-0022	Gerotor (HM1C Model)	1	170.00
7	HY0700-9000P	Pump Casing	1	43.52	30	HY0251-2500C	Motor End Plate: Includes (1) Main Bearing	1	122.06
8	HY2210-0088	Screw	1	.75	31	HY3220-0029	Valve Stem	1	5.98
9	HY0402-9100P	Impeller	1	35.70	32	HY1700-0047	Gasket	1	3.40
10	HY2210-0087	Hex Head Capscrew	4	.95	33	HY2270-0027	Washer	1	1.50
11	HY1410-0056	Slinger Ring	1	.88	34	HY2250-0038	Lock Nut	1	.75
12	HY1820-0013	Retaining Ring	1	.95	35	HY2270-0039	Washer	4	.75
13	HY1810-0014	Snap Ring	1	.75	36	HY2220-0045	Socket Head Capscrew (HM4C Model)	4	1.22
14	HY2000-0010	Ball Bearing	1	9.18	36	HY2220-0044	Socket Head Capscrew (HM3C Model)	4	2.72
15	HY1410-0073	Spacer	1	5.17	36	HY2220-0021	Socket Head Capscrew (HM1C Model)	4	1.56
16	HY2104-0005	Shaft Seal	1	21.08	37	HY1720-0108	O-ring	2	.75
17	HY1410-0074	Seal Spacer	1	.95	38	HY3320-0016	Check Valve Body	1	13.94
18	HY2029-0014	Thrust Bearing Assembly: Includes (1) Thrust Bearing (2) Thrust Bearing Races	1	15.64	39	HY3260-0039	Poppet	1	2.79
19	HY1810-0026	Snap Ring	1	.88	40	HY1820-0023	Retaining Ring	1	.75
20	HY0507-2500	Shaft HM4C, 7-1/16" Long	1	215.90	42	HY3360-0021	Pressure Port Adapter	1	10.40
20	HY0506-2500	Shaft HM1C, 7-5/16" Long	1	266.56	43	HY1720-0105	Orifice O-ring (HM4C Models Only)	1	.75
21	HY1610-0012	Woodruff Key	1	1.02	44	HY3373-0020	Metering Orifice (HM4C Models Only)	1	1.97
22	HY1610-0032	Roll Pin (HM4C Model)	1	4.76		HY3373-0021			1.97
22	HY1610-0030	Woodruff Key (HM3C Model)	1	2.11		or HY3373-0022			1.97
22	HY1610-0031	Roll Pin (HM1C Model)	1	3.88	45	HY2270-0041	Washer	6	.82
23	HY0151-2500C	Front Motor Body: Includes (1) Main Bearing	1	200.26	46	HY0750-9300P	Cover	1	18.70
25	HY1720-0110	O-Ring	2	.88	47	HY0750-9006C	Intermediate Flange	1	183.60
26	HY0700-2500C	Gerotor Housing (HM1C Model) 1/2" Wide	1	101.32	48	HY2250-0060	Hex Nut	4	.75
26	HY0703-2500C	Gerotor Housing (HM4C Model) 5/16" Wide	1	101.32	50	HY2210-0021	Hex Head Capscrew	4	.75
26	HY0702-2500C	Gerotor Housing (HM3C Model) 1" Wide	1	129.54	52	HY2210-0016	Screw	2	.88
27	HY1600-0045	Dowel Pin (HM4C Model)	1	12.10	53	HY2250-0008	Hex Nut	2	1.36
27	HY1600-0052	Dowel Pin (HM3C Model)	1	22.44	54	HY1510-0063	Mounting Foot	1	24.48
27	HY1600-0044	Dowel Pin (HM1C Model)	1	15.64	55	HY2270-0057	Washer	1	1.77
					56	HY1700-0097	Gasket	1	6.66
					57	HY1700-0100	Rubber Gasket	1	4.08

MODELS: 9304C-HMIC, 9304C-HM3C & 9304-HM5C

NOTE: When ordering parts, give QUANTITY, PART NUMBER, DESCRIPTION, and COMPLETE PUMP MODEL NUMBER. Reference numbers are used ONLY to identify parts in the drawing and are NOT to be used as order numbers.



Code 4 **A**

Description	Price Ea.
Kit No. 3430-0332 mechanical seal (Ref. 5), one o-ring (Ref. 6) & one rubber gasket (Ref. 45)	\$51.00

Code 4 **A**

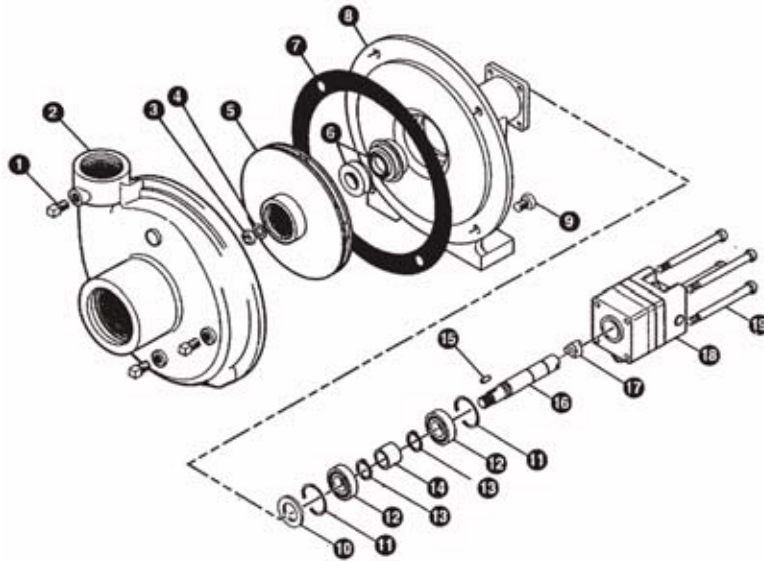
Stock No.	Description	Price Ea.
2500-11	Hydraulic Motor Part #s 2500-0011C (HM3C Models)	\$636.14
2500-18	2500-0018C (HM5C Models)	564.74
2500-9	2500-0009C (HM1C Models)	564.74

HYK-41	Parts Kit No. 3430-0178 Contains: One each ball bearing (Ref. 14), motor shaft seal (Ref. 16), thread seal gskt (Ref. 32), and washer (Ref. 33), two each motor housing o-rings (Ref. 25), and port adapter o-rings (Ref. 37)	38.42
--------	---	-------

Code 4 **A**

REF. NO.	PART NUMBER	DESCRIPTION	QTY. REQ'D.	PRICE EA.	REF. NO.	PART NUMBER	DESCRIPTION	QTY. REQ'D.	PRICE EA.
1	HY2406-0007	Drain/Vent Plug	4	\$.82	27	HY1600-0052	Dowel Pin (HM3C Models)	1	\$ 22.44
2	HY0151-9200C	Pump Casing (Volute) (Includes a stainless steel wear ring)	1	183.94	27	HY1600-0044	Dowel Pin (HM1C & HM5C Models)	1	15.64
3	HY2253-0002	Impeller Nut	1	3.20	28	HY1600-0051	Dowel Pin (HM3C Model)	1	22.44
4	HY0401-9200C	Impeller (Cast Iron)	1	193.12	28	HY1600-0037	Dowel Pin (HM1C & HM5C Models)	1	15.30
5	HY2120-0009	Mechanical Seal (Viton)	1	43.86	29	HY3900-0022	Gerotor (HM1C Model)	1	170.00
6	HY1720-0083	O-ring	1	2.79	29	HY3900-0024	Gerotor (HM3C Model)	1	207.74
7	HY2210-0020	Hex Head Capscrew	4	.75	29	HY3900-0048	Gerotor (HM5C Model)	1	173.06
8	HY0750-9300C	Mounting Flange	1	103.70	30	HY0251-2500C	Motor End Plate (includes Main Bearing)	1	122.06
11	HY1410-0056	Slinger Ring	1	.88	31	HY3220-0029	Bypass Adjusting Screw	1	5.98
12	HY1820-0013	Retaining Ring	1	.95	32	HY1700-0047	Gasket	1	3.40
13	HY1810-0014	Snap Ring	1	.75	33	HY2270-0027	Washer	1	1.50
14	HY2000-0010	Ball Bearing	1	9.18	34	HY2250-0038	Lock Nut	1	.75
15	HY1410-0073	Spacer	1	5.17	35	HY2270-0039	Washer	4	.75
16	HY2104-0005	Shaft Seal	1	21.08	36	HY2220-0044	Capscrew (HM3C Models)	4	2.72
17	HY1410-0074	Seal Spacer	1	.95	36	HY2220-0021	Capscrew (HM1C)	4	1.56
18	HY2029-0014	Thrust Bearing Assembly - Consists of: (1) Thrust Bearing & (2) Thrust Brg. Races	1	15.64	36	HY2220-0032	Capscrew (HM5C Models)	4	3.67
19	HY1810-0026	Snap Ring	1	.88	37	HY1720-0108	O-ring	2	.75
20	HY0510-2500	Shaft (HM3C Model) 7-1/2" long	1	211.82	38	HY3320-0016	Tank Port Adapter	1	13.94
21	HY1610-0012	Woodruff Key	1	1.02	39	HY3260-0039	Poppet	1	2.79
22	HY1610-0030	Woodruff Key (HM3C Models)	1	2.11	40	HY1820-0023	Retaining Ring	1	.75
22	HY1610-0031	Roll Pin (HM1C & HM5C Models)	1	3.88	42	HY3360-0021	Pressure Port Adapter	1	10.40
23	HY0151-2500C	Front Motor Body (includes Main Bearing)	1	200.26	45	HY1700-0100	Rubber Gasket	1	4.08
24	HY2210-0005	Hex Head Capscrew	4	.75	46	HY2270-0071	Washer	1	.88
25	HY1720-0110	O-ring	2	.88					
26	HY0700-2500C	Gerotor Housing (HM1C Model) 1/2" wide	1	101.32					
26	HY0702-2500C	Gerotor Housing (HM3C Model) 1" wide	1	129.54					
26	HY0704-2500C	Gerotor Housing (HM5C Model) 5/8" wide	1	108.80					

MODELS
FMC/L-204-HYD **FMC/L-310-HYD**
FMC/L-200-210-HYD **FMC/L-200-310-HYD**



FMC & FMCL Repair Kits

Code 4 **A**

Stock No.	Mfg. No.	Description	Price Ea.
AC052700	RK-FMC	Pump repair kit - all models except pumps with grease fitting	\$48.34
AC051900	RK-FMCL	Pump repair kit - all models with grease fitting	70.63

Parts FMC Models Only (Models without grease fitting)

Code 4 **A**

Ref. No.	Stock No.	Mfg. No.	Description	Req.	Price Ea.
6	AC40151	BAC-7V	Viton seal	1	\$39.66
#	AC40160	B40160	"O" ring shaft	1	.50
8	AC40300	BAC-14-HYD	Frame 204, 210	1	175.32
8	AC40301	BAC-14-HYD-310	Frame 310	1	182.14
16	AC40060	BAC-6-HYD	Drive Shaft	1	56.98
16	AC40061	BAC-6-HYD-SS	Drive Shaft S.S.	1	63.19

FMCL Models Only (Models with grease fitting)

Code 4 **A**

Ref. No.	Stock No.	Mfg. No.	Description	Req.	Price Ea.
6	AC40125	BACL-7L	Leather seal	2	\$30.99
8	AC40302	BACL-14-HYD	Frame 204, 210	1	207.52
8	AC40303	BACL-14-HYD-310	Frame 310	1	219.91
16	AC40062	BAC-6-HYD-SS	Drive shaft	1	71.25

Items included in repair kit

#Not shown in cross section drawing.

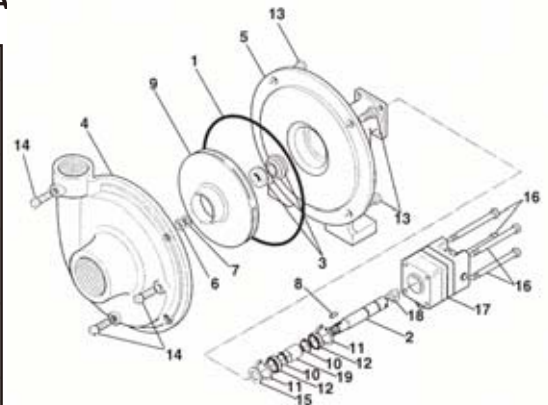
FC & FMCL Common Parts

Code 4 **A**

Ref. No.	Stock No.	Mfg. No.	Description	Req.	Price Ea.
1	AC41110	41110	Pipe plug	3	\$.36
1	AC41120	41120	Pipe plug S.S. opt.	3	4.96
2	AC40250	BAC-12	1-1/4" x 1" volute	1	134.40
2	AC41526	7AC-14-CCW-HYD	2" x 2-1/2" volute	1	180.27
3	AC40390	BAC-23-SS	3/8 nut S.S.	1	3.72
4	AC40400	BAC-24-HYD-SS	3/8 washer S.S.	1	1.86
5	AC40440	BAC-26-HYD	Impeller, valox 1-1/4 x 1"	1	54.51
5	AC40442	BAC-26-HYD-C1	Impeller, C.I. 1-1/4 x 1" opt	1	79.90
5	AC41525	FMC-200-HYD	Impeller, C.I. 5-1/2	1	153.62
7	AC40010	BAC-4	Gasket	1	2.48
9	AC40950	40950	Cap screw	4	.36
9	AC40930	40930	Cap screw S.S. opt.	4	2.47
10	AC41130	BAC-54	Slinger	1	.94
11	AC40810	BAC-33	Int. snap ring	2	1.25
12	AC40870	BAC-37	Shaft bearing	2	9.24
13	AC40790	BAC-32	Ext. snap ring	2	.61
14	AC40795	BAC-32S	Spacer	1	3.73
15	AC40420	BACH-25	Impeller key	1	.61
17	AC41380	BAC-76-HYD	Motor Coupler	1	25.38
18	AC41370	BAC-75-HYD-204	Hyd. Motor 204	1	416.88
18	AC41375	BAC-75-HYD-210	Hyd. Motor 210	1	445.40
18	AC41378	BAC-75-HYD-310	Hyd. Motor 310	1	675.83
19	AC41256	41256	Cap screw 204	4	1.86
19	AC41257	41257	Cap screw 210	4	2.47
19	AC41330	41330	Cap screw 310	4	.50
Restrictor Orifice for Closed Centre Systems 3/8" NPT					
#	AC41390	BAC-79-204-3/8 NPT	For 204 Motors	1	24.17
#	AC41395	BAC-79-210-3/8 NPT	For 210 Motors	1	25.38

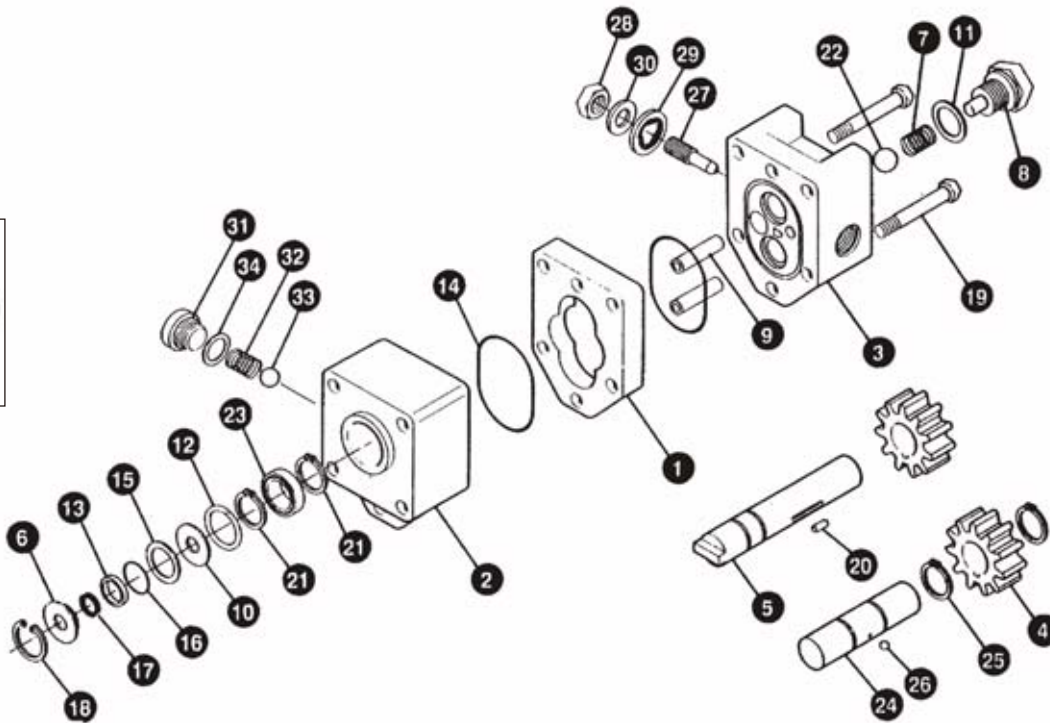
ACE FMC-150-HYD-206 PUMP REPAIR KIT

Ref.#	Stock No.	Description	Req.	Price
#1	AC40015	"O" Ring, volute	1	\$ 6.22
2	AC40060	5/8" Driven shaft	1	56.98
2	AC40061	5/8" Driven shaft, stainless steel	1	63.19
#	AC40110	Bima-N (optional)	1	38.42
#3	AC40151	Viton seal (includes 40160 "O" ring)	1	39.66
#	AC40152	Silicon carbide seal (optional)	1	151.15
#	AC40160	"O" Ring for BAC-6-HYD shaft	1	.50
4	AC40255	1-1/2" x 1-1/4" Volute	1	161.67
5	AC40305	Mounting frame	1	224.26
8	AC40420	1/8" x 1/8" x 1/2" Impeller key	1	.61
9	AC40445	Impeller, w/keyway	1	109.02
10	AC40790	External snap ring	2	.61
11	AC40810	Internal snap ring	2	1.25
12	AC40870	Sealed ball bearing	2	9.24
15	AC41130	Slinger	1	.94
17	AC41372	Hydraulic motor (for Model FMC-150-HYD-206)	1	445.40
18	AC41380	Coupling for hydraulic motor	1	25.38
#	AC052710	Pump Repair Kit FMC-150 (Items Marked#)	1	45.84



Parts

BAC-75-HY
BAC-75-HY
BAC-75-HY
 For BAC-75
 Contact us f
 Information.



Hydraulic Motor Repair Kits #2321

Repair kit Hydraulic motors BAC-HYD-204, BAC-HYD-206 and BAC-HYD-210

Code 4 **A**

Hydraulic Motors "B" Series #2320 (not illustrated)

Repair kit Hydraulic motors BAC-75-HYD-204B motors with serial numbers beginning with 204-1001 also BAC-75-HYD-210B for motors with serial numbers beginning with B-1000. Included all seals and o-rings

Stock No.	Description	Price Ea.
AC41371	RK-BAC-75-HYD -204/206/210	\$28.83
AC41377	RK-BC-75-HYD -204B/210B	37.16

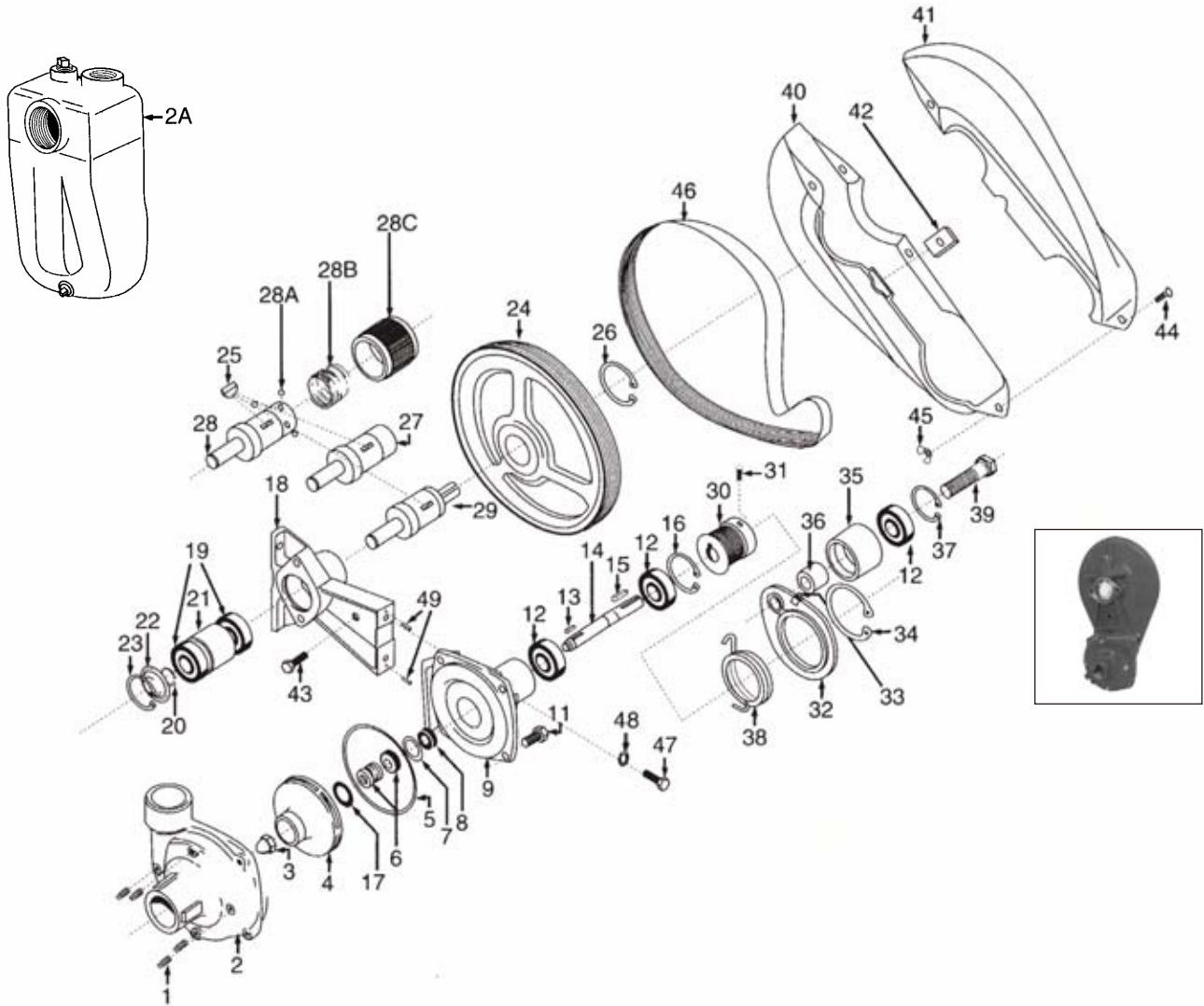
Code 4 **A**

Code 4 **A**

REF#	MODEL - 204	PRICE	MODEL - 206	PRICE	MODEL -210	PRICE	DESCRIPTION	REQ.
1	AC41720	\$115.24	AC41721	\$115.24	AC41725	\$118.31	Housing	1
2	AC41731	254.60	AC41731	254.60	AC41731	254.60	Drive Plate	1
3	AC41740	219.91	AC41740	219.91	AC41740	219.91	End Plate	1
4	AC41750	86.15	AC41751	93.54	AC41755	101.59	Gear	2
5	AC41761	82.38	AC41764	96.63	AC41766	101.59	Straight drive shaft	1
6	AC41770	24.78	AC41770	24.78	AC41770	24.78	Steel seal retainer	1
7	AC41780	1.86	AC41780	1.86	AC41780	1.86	Spring for reverse flow check	1
8	AC41790	35.30	AC41790	35.30	AC41790	35.30	Check valve cap	1
9	AC41800	1.56	AC41805	3.72	AC41805	3.72	Dowel pin for housing	2
10	AC41810	4.35	AC41810	4.35	AC41810	4.35	Steel backup washer	1
11	AC41820	1.86	AC41820	1.86	AC41820	1.86	Nylon Washer	1
12	AC41830	2.79	AC41830	2.79	AC41830	2.79	Wire ring bearing spacer	1
13	AC41840	6.21	AC41840	6.21	AC41840	6.21	Quad ring shaft seal collar	1
14H	AC41850	2.17	AC41850	2.17	AC41850	2.17	"O" Ring, housing seal	2
15H	AC41860	1.86	AC41860	1.86	AC41860	1.86	"O" Ring, seal retainer	1
16H	AC41870	1.86	AC41870	1.86	AC41870	1.86	"O" Ring, seal collar	1
17H	AC41880	5.57	AC41880	5.57	AC41880	5.57	Quad ring shaft seal	1
18	AC41890	1.25	AC41890	1.25	AC41890	1.25	Shaft seal retaining ring	1
19	AC41900	2.07	AC41900	2.17	AC41905	2.17	1/4" N.C. Hex head cap screw	2
20	AC41920	1.25	AC41921	1.25	AC41925	1.25	Dowel Pin for drive shaft	1
21	AC41941	.91	AC41941	.91	AC41941	.91	Snap ring	2
22	AC41950	1.25	AC41950	1.25	AC41950	1.25	Ball	1
23	AC41961	43.99	AC41961	43.99	AC41961	43.99	Ball Bearing 7.16" I.D.	1
24	AC41970	46.47	AC41971	56.98	AC41975	61.94	Idler Shaft	1
25	AC41980	1.25	AC41980	1.25	AC41980	1.25	Retaining Ring	2
26	AC41990	1.86	AC41990	1.86	AC41990	1.86	Ball for idler shaft	1
27	AC42010	24.78	AC42010	24.78	AC42010	24.78	Needle valve adjusting screw	1
28	AC40960	.36	AC40960	.36	AC40960	.36	3/8" N.C. Jam nut	1
29H	AC42030	9.29	AC42030	9.29	AC42030	9.29	#7500 3/8" N.C. Thread seal	1
30	AC42040	2.17	AC42040	2.17	AC42040	2.17	Flat steel back-up washer	1
31	AC42041	18.60	AC42041	18.60	AC42041	18.60	Seal check cap	1
32	AC42042	1.25	AC42042	1.25	AC42042	1.25	Spring for seal check	1
33	AC42043	1.25	AC42043	1.25	AC42043	1.25	Ball for seal check	1
34H	AC42044	2.47	AC42044	2.47	AC42044	2.47	"O" Ring for seal check cap	1

H PARTS INCLUDED IN MOTOR REPAIR KITS

MODELS: 9402C, 9403C & 9403C-SP REPLACEMENT PARTS



de 4 **A**

lock No. HYK-46

rice Ea. \$104.38

lock No. HYK-45

rice Ea. \$110.84

lock No. HYK-38

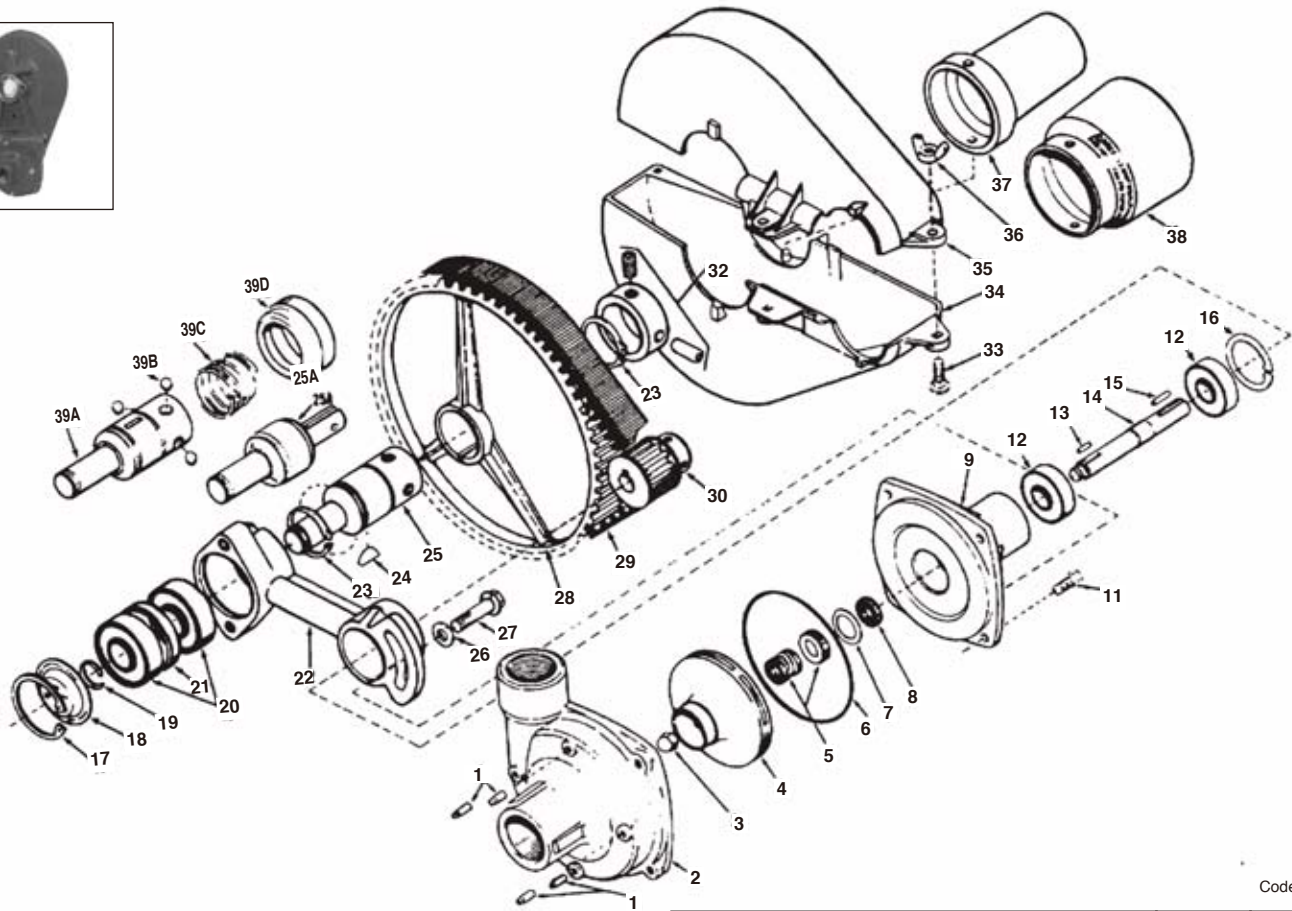
rice Ea. \$51.00

Code 4 **A**

REF. NO.	STOCK NUMBER	DESCRIPTION	QTY. REQ'D.	PRICE EA.
1	HY2406-0007	Drain Plug	4	\$.82
2	HY0150-9000C	Pump Casing (Models 9403C)	1	163.20
2	HY0150-9200C	Pump Casing (Models 9402C)	1	161.84
3	HY2253-0002	Impeller Nut	1	3.20
4	HY0401-9100P	Impeller (Nylon) (Standard)	1	37.74
4	HY0402-9100P	Impeller (Nylon)	1	35.70
5	HY1720-0083	O-Ring	1	2.79
6	HY2120-0008	Mechanical Seal (optional Buna-N)	1	24.48
6	HY2120-0009	Mechanical Seal (Standard Viton)	1	43.86
6	HY2120-0032	Mechanical Seal (Opt. Silicon Carbide)	1	197.54
7	HY1830-0040	Seal Retainer	1	1.43
8	HY1410-0056	Slinger Ring	1	.88
9	HY0750-9200C	Mounting Flange	1	152.32
10	HY6031-0252	Nameplate (Not sold separately)	1	
11	HY2210-0020	Bolt	4	.75
12	HY2000-0010	Ball Bearing	3	9.18
13	HY1610-0015	Key	1	1.43
14	HY0501-9200	Pump Shaft	1	124.10
15	HY1610-0004	Key	1	1.43
16	HY1820-0013	Bearing Retainer	1	.95
17	HY1700-0100	Gasket	1	4.08
18	HY0703-9400D	Pedestal Bracket	1	263.84
19	HY2001-0006	Drive Shaft Bearings	2	16.32
20	HY1810-0012	Driver Shaft Bearing Retainer Ring	1	1.63
21	HY1410-0094	Bearing Spacer	1	27.88
22	HY2840-0053	End Cap (label)	1	2.31
23	HY1820-0032	Bearing Bore Retaining Ring	1	3.20
24	HY3115-0031	Driver Pulley (540 rpm)	1	289.34
24	HY3115-0032	Driver Pulley (1000 rpm)	1	198.22
24	HY3115-0033	Driver Pulley (1000 rpm, 1-3/4" shaft)	1	200.26
25	HY1610-0033	Key (Driver Pulley)	1	3.20
25	HY1610-0034	Key (Driver Pulley, 1-3/4" shaft)	1	1.84

REF. NO.	STOCK NUMBER	DESCRIPTION	QTY. REQ'D.	PRICE EA.
26	HY1810-0031	Retaining Ring (Driver Pulley)	1	\$ 2.99
26	HY1810-0032	Retaining Ring (Driver Pulley, 1-3/4" shaft)	1	8.16
27	HY0555-9400F	Shaft (540 rpm)	1	187.00
27	HY0556-9400F	Shaft (1000 rpm)	1	187.00
27	HY0557-9400F	Shaft (1-3/4" - 1000 rpm)	1	301.58
28	HY0555-9400F1	Shaft (540 Quick Coupler)	1	182.24
28A	HY3250-0004	Locking Ball	3	.95
28B	HY1900-0115	Collar Spring	1	7.68
28C	HY1400-0021	Collar	1	48.96
29	HY0503-9400	Shaft (1" Solid)	1	110.16
30	HY3115-0034	Driven Pulley (5/8" dia. bore)	1	68.68
31	HY2230-0003	Set Screw for Driven Pulley	2	.75
32	HY0706-9400C	Idler Bracket (Cast Iron Pumps)	1	59.50
33	HY2405-0003	Grease Zerk Fitting	1	1.50
34	HY1810-0036	Retaining Ring (Idler Bracket, Cast Iron)	1	3.13
35	HY3115-0036	Idler Pulley	1	48.62
36	HY1410-0095	Spacer (Idler Pulley)	1	5.78
37	HY1820-0013	Retaining Ring (Idler Pulley)	1	.95
38	HY1900-0156	Torsion Spring (Idler for Cast Iron)	1	13.46
39	HY2210-0111	Idler Bolt/Shaft	1	2.79
40	HY2840-0075	Belt Shield	1	22.78
41	HY2840-0076	Belt Shield	1	22.78
42	HY1520-0062	Bracket for Belt Shield	1	14.28
43	HY2210-0021	Attachment Bolt for Shield	1	.75
44	HY2240-0017	Assembly Bolts for Shield	4	.75
45	HY2252-0002	Assembly Nuts for Shield	4	.75
46	HY3100-0006	Poly V-Belt (540 rpm)	1	59.84
46	HY3100-0005	Poly V-Belt (1000 rpm)	1	53.38
47	HY2210-0055	Bolts for Pump to Bracket	2	1.16
48	HY2260-0006	Lock Washers for Bracket Bolts	2	.75
49	HY1600-0070	Roll Pin	2	.68

MODELS: 9401C-B1, 9401C-B2, 9401C-B3, 9401C-B4, 9401C-B5 & 9401C-B6



Code 4 **A**

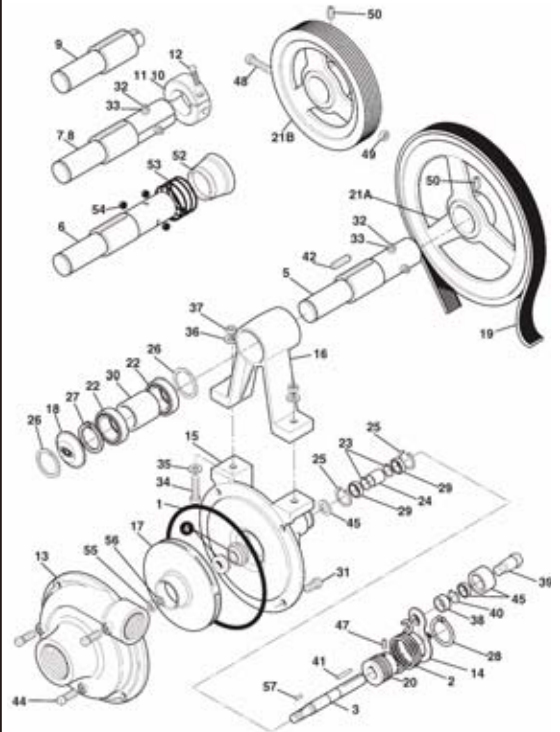
Description	Stock No.	Price Ea.
Seal, O-Ring Repair Kit No. 3430-0332		
Consists of (1) Ref. 5 Mechanical Seal (Viton), (1) Ref. 6 O-Ring and (1) Ref. #10 Gasket.	HYK-38	\$51.00

REF. NO.	PART NUMBER	DESCRIPTION	QTY. REQ'D.	PRICE EA.	REF. NO.	PART NUMBER	DESCRIPTION	QTY. REQ'D.	PRICE EA.
1	HY2406-0007	Drain Plug	4	\$.82	25A	HY0501-9400	Shaft, Driver Pulley (9401C-B4 & 9401C-B5)	1	\$232.90
2	HY0150-9200C	Pump Casing	1	161.84	26	HY2270-0004	Washer	1	.75
3	HY2253-0002	Impeller Nut	1	3.20	27	HY2210-0079	Locking Bolt	1	2.72
4	HY0401-9100P	Impeller (Nylon)	1	37.74	28	HY3115-0013	Driver Pulley (9401C-B1, 9401C-B4 & 9401C-B6)	1	148.92
5	HY2120-0008	Mechanical Seal (Optional Buna-N)	1	24.48	28	HY3115-0014	Driver Pulley (9401C-B2 & 9401C-B5)	1	92.82
5	HY2120-0009	Mechanical Seal (Standard Viton)	1	43.86	28	HY3115-0015	Driver Pulley (9401C-B3)	1	128.52
6	HY1720-0083	O-Ring	1	2.79	29	HY3103-0009	Belt (540 rpm)	1	59.15
7	HY1830-0040	Seal Retainer	1	1.43	29	HY3103-0010	Belt (1000 rpm)	1	44.88
8	HY1410-0056	Slinger Ring	1	.88	30	HY3115-0012	Driver Pulley (9401C-B1, 9401C-B2, 9401C-B3 & 9401C-B6)	1	73.44
9	HY0750-9400C	Mounting Flange	1	261.80	30	HY3115-0017	Driver Pulley (9401C-B4 & 9401C-B5)	1	97.24
10	HY1700-0100	Gasket	1	4.08	32	HY3430-0207	Locking Collar Kit (9401C-B1, 9401C-B2 & 9401C-B7)	1	37.40
11	HY2210-0020	Bolt	4	.75	32	HY3430-0190	Locking Collar Kit (9401C-B3)	1	46.24
12	HY2000-0010	Ball Bearing	2	9.18	33	HY2240-0017	Carriage Bolt	3	.75
13	HY1610-0015	Key	1	1.43	34	HY2840-0032	Right Shield Half (540 rpm)	1	37.74
14	HY0502-9400	Pump Shaft	1	146.54	35	HY2840-0031	Left Shield Half (540 rpm)	1	38.76
15	HY1610-0004	Key	1	1.43	34	HY2840-0039	Right Shield Half (1000 rpm)	1	38.08
16	HY1820-0013	Bearing Retainer	1	.95	35	HY2840-0038	Left Shield Half (1000 rpm)	1	38.08
17	HY1820-0032	Retainer	1	3.20	36	HY2252-0002	Wing Nut	3	.75
18	HY2840-0053	Bearing Cover	1	2.31	37	HY2840-0033	PTO Shaft Shield (9401C-B1, 9401C-B2, 9401C-B3 & 9410C-B6)	1	29.24
19	HY1810-0012	Inner Retaining Ring	1	1.63	38	HY2840-0036	PTO Shaft Shield (9401C-B4 & 9401C-B5) (Obsolete)	1	
20	HY2001-0006	Bearing for Large Pulley Assembly	2	16.32	39A	HY0550-9400F3	Quick Coupler Shaft (9401C-B6)	1	272.00
21	HY1410-0081	Spacer	1	6.66	39B	HY3250-0004	Balls	3	.95
22	HY0700-9400D	Pulley Adjusting Arm	1	223.72	39C	HY1900-0115	Spring (9401C-B6)	1	7.68
23	HY1810-0031	Retaining Ring	2	2.99	39D	HY1400-0021	Sleeve (9401C-B6)	1	48.96
23	HY1810-0032	Retaining Ring (9410C-B3 Only)	2	8.16					
24	HY1610-0033	Woodruff Key	1	3.20					
24	HY1610-0034	Woodruff Key (9410C-B3 Only)	1	1.84					
25	HY0551-9400F1	Shaft, Driver Pulley (9401C-B2)	1	286.96					
25	HY0550-1322F3	Shaft, Driver Pulley (9401C-B3)	1	273.02					

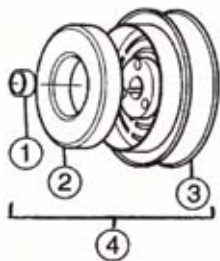
Code 4 **A**

Ref.#	Stock No.	Description	Req.	Price
#	AC052610	Guard (for PTO mounted centrifugal pump)	1	\$83.64
#1	AC40015	"O" Ring, Volute Seal	1	6.22
2	AC40030	Idler mounted forson spring	1	16.74
3	AC40055	5/8" Drive Shaft	1	50.16
3	AC40056	5/8" Driven Shaft, Stainless Steel (optional)	1	56.98
#4	AC40151	Viton Seal (includes 40160 "O" Ring)	1	39.66
4	AC40152	Silicon Carbide Seal (optional)	1	151.15
4	AC40110	Buna N Seal (optional)	1	38.42
##	AC40160	"O" Ring for Shaft	1	.50
5	AC40200	1-3/8" 6 Tooth drive shaft	1	151.15
6	AC40210	1-3/8" 6 Tooth ddrive shaft for quick coupler	1	151.15
7	AC40180	1-3/4" 20 Tooth drive shaft, includes BAC-11-175	1	221.15
8	AC40220	1-3/4" 21 Tooth drive shaft, includes BAC-11	1	202.56
9	AC40190	1" stub drive shaft	1	151.15
10	AC40235	locking collar (for BAC-10-21SP shaft)	1	89.82
11	AC40236	locking collar (for BAC-10-175-20SP shaft)	1	104.07
12	AC40237	Set screw (for BAC-11 and BAC-11-175 locking collar)	1	1.25
13	AC40255	Volute, 1-1/2" x 1-1/2"	1	161.67
14	AC40270	Idler Arm	1	34.09
15	AC40308	Mounting frame	1	184.60
16	AC40340	bearing housing	1	142.48
#	AC40370	bearing housing with mounting base	1	148.68
17	AC40445	Impeller, Cast Iron	1	109.02
#19	AC40611	V Belt (for PTOC-150-600)	1	47.69
##	AC40621	V Belt (for PTOC-150-1000)	1	47.69
20	AC40675	5/8" Bore pulley, 10 groove (for PTOC-150-600)	1	37.77
#	AC40680	5/8" Bore pulley, 10 groove (for PTOC-150-1000)	1	37.77
21A	AC40741	2" Bore pulley, (for PTOC-150-600)	1	157.36
21B	AC40746	2-3/8" Bore pulley (for PTOC-150-1000-20SP)	1	148.68
21B	AC40751	2" Bore pulley (for PTOC-150-1000-21SP)	1	131.94
22	AC40780	Sealed ball bearing, BAC-10 drive shaft	2	63.73
23	AC40790	External snap ring for driven pump shaft	2	.61
24	AC40795	Spacer for pump shaft	1	3.73
25	AC40810	Internal snap ring for mounting frame	2	1.25
26	AC40830	Internal snap ring, BAC-15 bearing housing	2	2.79
27	AC40840	External snap ring, BAC-10 drive shaft	1	.91
28	AC40850	External snap ring, BAC-13 idler arm	1	1.87
29	AC40870	Sealed Ball Bearing for pump shaft	2	9.24
30	AC40900	Bearing spacer, drive shaft	1	13.24
38	AC41020	5/8" Spacer	1	9.29
40	AC41070	Retainer ring	1	.61
41	AC41080	3/16" x 3/16" x 1-1/4" Key	1	.61
42	AC41090	3/8" x 1/2" x 1-1/2" Key	1	1.86
45	AC41130	Slinger	1	.94
46	AC41140	Idler bearing and outer roller assembly	1	32.84
52	AC41450	Ball retainer sleeve for quick coupler	1	25.38
53	AC41460	Spring for quick coupler	1	6.21
54	AC41470	Ball for quick coupler	3	1.86
57	AC40420	1/2" x 1/8" x 1/2" Key	1	.61
PUMP REPAIR KITS				
#	ACO51155	Kit # RK-PTOC-150-600 for PTOC-150-600	1	93.54
#	ACO51255	Kit # RK-PTOC-150-1000 for PTOC-150-1000	1	93.54

**SERIES
150
PTO PUMP
PARTS**



MAGNETIC CLUTCH REPLACEMENT PARTS



Code 4 **A**

ILL. No.	Stock No.	Description	Price Ea.
1	AC41477	Spacer	\$ 7.43
2	AC41476	Coil Ring, 12 Volt, DC Activated	144.32
3	AC41479	5-1/4" Pulley w/Bearing & Clutch Drive	273.16
4	AC41475	Magnetic clutch assembly complete w/Pulley, Clutch driver, Coil Ring & Spacer	421.23

OLDER MODELS ACE PTO PUMPS

(Not Illustrated)
Model PTOC/H-600/1000
REPAIR KITS BELTS

Code 4 **A**

No.	Description	Belt Size	Each
AC051150	Repair Kit PTOC-600#	40" I.D.	\$83.65
AC051250	Repair Kit PTOC-1000#	31" I.D.	83.65
AC40610	Belt PTOC-600	40" I.D.	35.30
AC40620	Belt PTOC-1000	31" I.D.	35.30
Model PTOCH-600/1000			
AC051400	Repair Kit PTOCH-600†	41" I.D.	134.15
AC051500	Repair Kit PTOCH-1000†	32" I.D.	134.15
AC40650	Belt PTOCH-600	41" I.D.	56.98
AC40660	Belt PTOCH-1000	32" I.D.	56.98

Includes belt, Viton seal, O Ring & Gasket.
† Includes belt, leather seals & Gasket.
NOTE: We have only listed the fast moving parts above. We stock all parts for Ace Pumps.