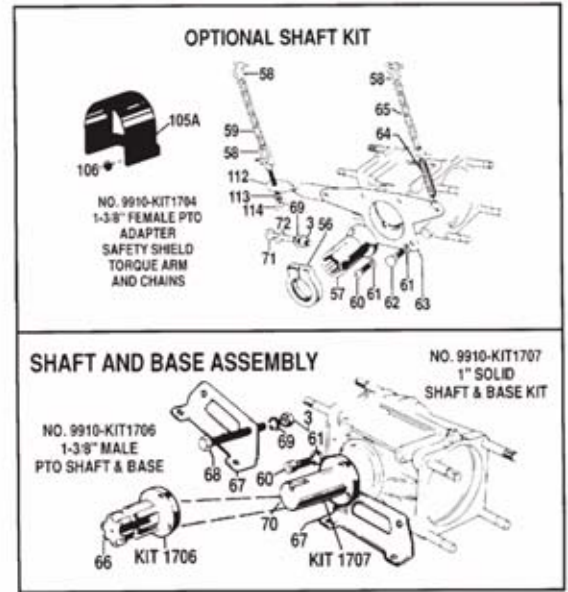
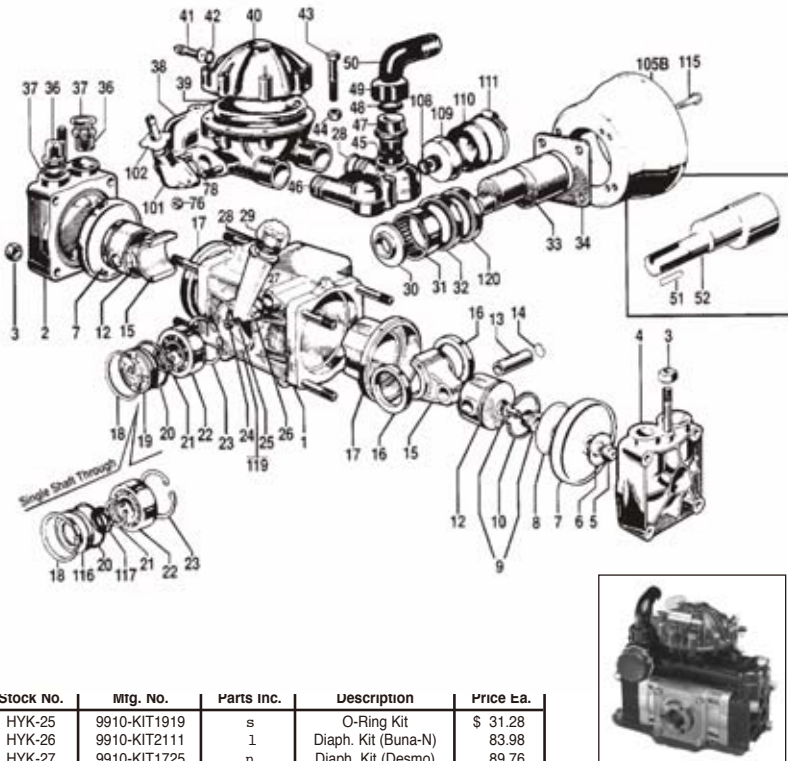


MODELS: D50 & D50AP-A REPLACEMENT PARTS



Stock No.	Mtg. No.	Parts inc.	Description	Price Ea.
HYK-25	9910-KIT1919	s	O-Ring Kit	\$ 31.28
HYK-26	9910-KIT2111	l	Diaph. Kit (Buna-N)	83.98
HYK-27	9910-KIT1725	n	Diaph. Kit (Desmo)	89.76
HYK-28	9910-KIT1920	p	Valve Kit	123.76

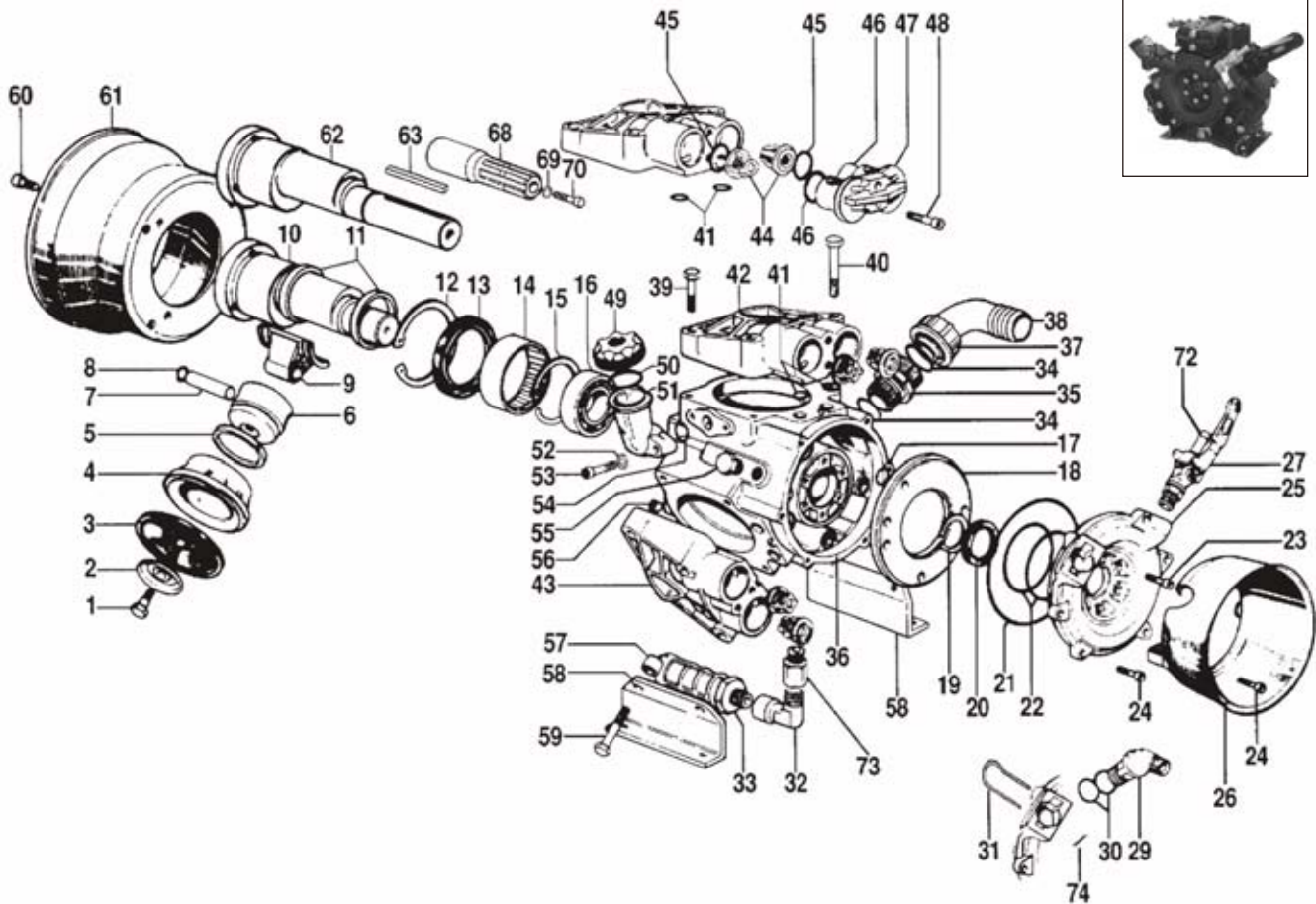


REF. NO.	PART NUMBER	DESCRIPTION	QTY. REQ'D.	PRICE EA.
1	HY9910-650010	Pump Body	1	\$270.98
2	HY9910-650102	Left Head Assembly	1	106.08
3	HY9910-320130	Nut	10	1.16
4	HY9910-650101	Right Head Assembly	1	106.08
5	HY9910-160311	Lock Nut	2	4.42
6	HY9910-650390	Retaining Washer	2	10.61
n7	HY9910-650085	Diaphragm, Desmopan (std.)	2	26.52
17	HY9910-650082	Diaphragm, Buna-N (opt.)	2	23.64
7	HY9910-65008T	Diaphragm, Teflon (opt.)	2	33.66
8	HY9910-650090	Diaphragm Support Washer	2	10.68
9	HY9910-659080	Lock Nut & Retaining Nut Assembly	2	15.64
10	HY9910-650190	Piston Ring	2	11.70
12	HY9910-650121	Piston	2	49.30
13	HY9910-650071	Connecting Rod Pin	2	21.08
14	HY9910-160961	Retainer Ring	4	1.63
15	HY9910-650142	Connecting Rod	2	49.98
16	HY9910-650040	Retainer Ring	2	15.30
17	HY9910-650111	Piston Sleeve	2	83.30
18	HY9910-200390	Retainer Ring	1	8.09
19	HY9910-650040	Oil Sealing Cap	1	9.72
20	HY9910-650920	Gasket Ring	1	1.77
21	HY9910-650480	Retainer Ring	1	9.72
22	HY9910-230330	Ball Bearing	1	102.34
23	HY9910-161050	Retainer Ring	1	11.02
24	HY9910-390440	Nut	2	.82
25	HY9910-550331	Washer	2	.82
26	HY9910-650030	Oil Sight Glass	1	20.74
s27	HY9910-180101	O-Ring	1	.95
s28	HY9910-550040	O-Ring	5	1.16
29	HY9910-550056	Cap for Sight Glass	1	7.41
30	HY9910-650160	Spacer Washer	1	7.82
31	HY9910-650200	Roller Bearings	1	186.32
32	HY9910-1400150	Seal	1	18.36
33	HY9910-650170	Crankshaft	1	255.00
34	HY9910-1400140	Flange Cover	1	12.92
p36	HY9910-659050	Check Valve Assembly	4	28.22
l37	HY9910-320030	O-Ring	4	2.99
38	HY9910-659204	Accumulator Manifold	1	185.64
h39	HY9910-650250	Accumulator Diaphragm	1	25.84
39	HY9910-65052T	Accumulator Dia. Teflon (opt.)	1	37.74
40	HY9910-659206	Accumulator Head	1	83.30
41	HY9910-180020	Air Valve	1	27.20
s42	HY9910-650542	O-Ring	1	1.16
43	HY9910-380250	Bolt (8MAx45)	10	2.72
44	HY9910-390270	Nut	10	.82

REF. NO.	PART NUMBER	DESCRIPTION	QTY. REQ'D.	PRICE EA.
s45	HY9910-390290	O-Ring	1	\$ 1.43
46	HY9910-650150	Manifold	1	82.96
47	HY9910-450120	Threaded Adapter	1	9.86
s48	HY9910-390290	O-Ring	1	1.43
49	HY9910-580060	Barb Nut	1	9.79
50	HY9910-580040	1-1/4" Hose Barb	1	13.94
51	HY9910-650250	Key	1	3.47
52	HY9910-650178	Crankshaft 1" Thru Shaft (AP-A)	1	#
56	HY9910-500160	Collar	1	15.30
57	HY9910-620270	Flanged Female Splined Shaft	1	163.20
58	HY9910-650340	Chain Clip	3	9.45
59	HY9910-650360	Chain s450 mm)	1	101.32
60	HY9910-540300	Bolt (10MAx30)	3	4.08
61	HY9910-200231	Lock Washer	7	1.16
62	HY9910-620340	Bolt (10MAx20)	4	1.97
63	HY9910-650350	PTO Bracket	1	93.16
64	HY9910-650380	Torsion Spring	1	28.90
65	HY9910-650361	Chain (320 mm)	1	50.66
66	HY9910-620240	Flanged Male Splined Shaft	1	109.82
67	HY9910-320392	Support Bracket	2	19.72
68	HY9910-750060	Bolt (8MAx75)	2	6.46
69	HY9910-320131	Lock Washer	2	.82
70	HY9910-621600	1" Solid Keyed Shaft	1	113.22
71	HY9910-320170	Bolt (12MAx75)	1	3.67
72	HY9910-500171	Lock Retaining Washer	1	2.52
76	HY9910-390270	Nut	2	.82
s78	HY9910-550350	O-Ring	1	.95
101	HY9910-450145	Discharge Flange Housing	1	25.84
101	HY9910-450146	Dis. Fig. Housing (1/2" NPT, Straight)	1	35.70
102	HY9910-110130	Hose Barb & Nut	1	10.74
105A	HY2840-0028	Steel Safety Shield	1	37.74
105B	HY9910-1500350	Durable Plastic Shield (opt.)	1	39.78
106	HY2270-004	Washer	2	.75
s108	HY9910-180101	O-Ring	1	.95
109	HY9910-650660	Dampener Body	1	28.22
110	HY9910-650670	Dampener Diaphragm	1	9.79
111	HY9910-650690	Clamp	1	13.06
112	HY9910-320630	Bolt	1	13.53
113	HY9910-320620	Washer	1	.82
114	HY9910-320610	Wing Nut	1	2.04
115	HY9910-650290	Bolt	4	1.77
116	HY9910-650041	Spacer (AP-A Model)	1	48.62
117	HY9910-650490	Seal (AP-A Model)	1	13.26
118	HY9910-0022	Name plate (not shown)	1	#
119	HY9910-130171	Plug, Drain	1	3.06
120	HY9910-1400110	Flange	1	27.88

PLEASE CONTACT US FOR PRICING

MODEL: D503 REPLACEMENT PARTS

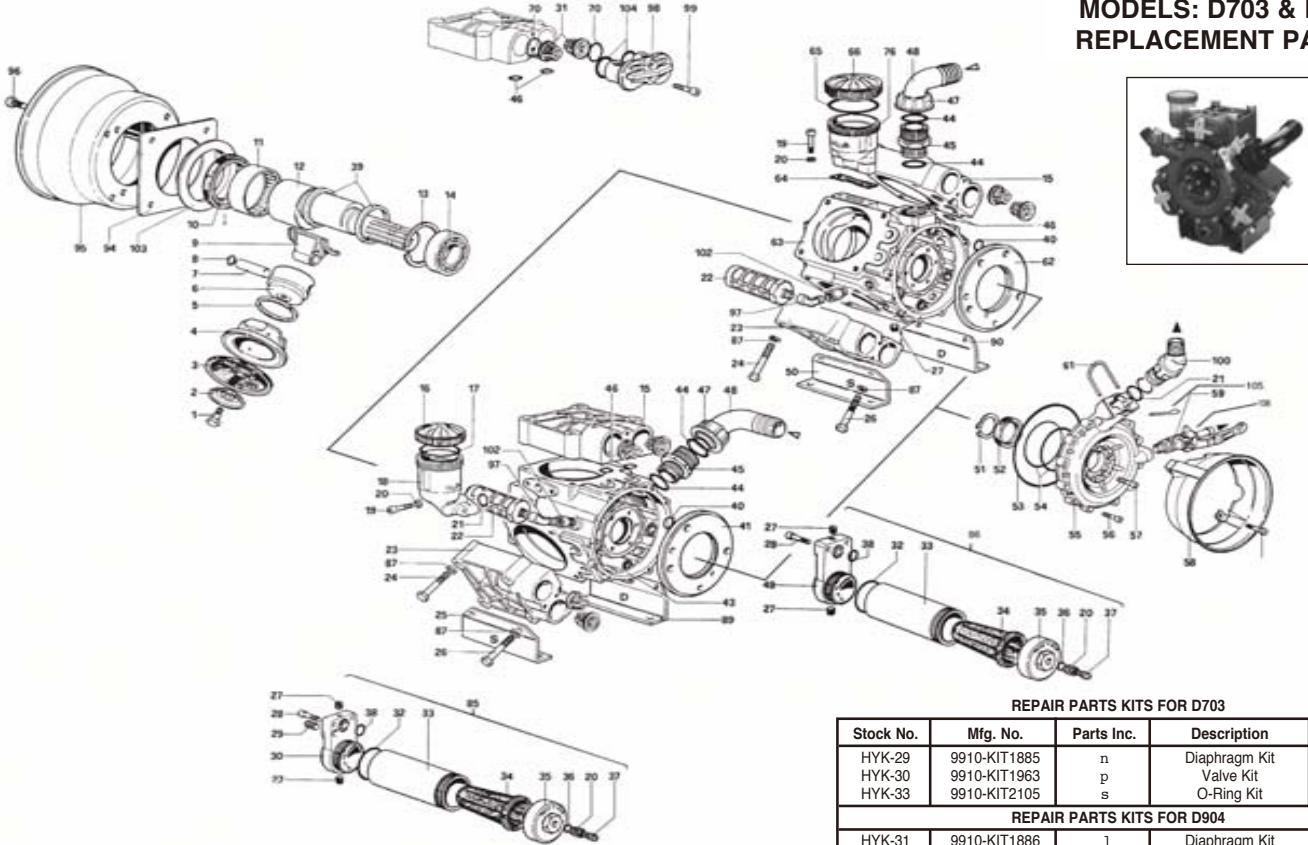


Ref. No.	Qty Req'd	Stock No.	Description	Price
1	3	HY9910-580360	Retaining Bolt	\$ 9.32
2	3	HY9910-1040180	Washer	12.24
n3	3	HY9910-620085	Diaphragm Desmopan (std.)	24.82
3	3	HY9910-620080	Diaphragm Buna (opt.)	23.46
3	3	HY9910-62008T	Diaphragm, Buna-N (opt.)	34.34
4	3	HY9910-1300110	Piston Sleeve	86.70
5	3	HY9910-160230	Seal Ring	9.04
6	3	HY9910-620120	Piston	41.82
7	3	HY9910-380300	Connecting Pin	18.02
8	6	HY9910-380080	Snap Ring	1.09
9	3	HY9910-1300140	Connecting Rod	40.80
10	1	HY9910-1300170	Shaft (std.)	231.88
11	2	HY9910-1300120	Retaining Rings	15.30
12	1	HY9910-1300240	Snap Ring	6.60
13	1	HY9910-1300220	Seal	21.42
14	1	HY9910-1300210	Bearing	58.14
15	1	HY9910-1260790	Snap Ring	3.33
16	1	HY9910-180400	Bearing	93.84
17	5	HY9910-740290	O-Ring	1.09
18	1	HY9910-1300020	Manifold Plate	62.56
19	1	HY9910-1260770	Snap Ring	1.09
20	1	HY9910-1300230	Seal	13.19
21	1	HY9910-1300270	O-Ring	8.77
22	2	HY9910-640030	O-Ring	5.78
23	6	HY9910-880280	Bolt	.95
24	6	HY9910-1040370	Bolt	2.86
25	1	HY9910-1300030	Outlet Manifold	141.44
26	1	HY9910-1040330	Shield (opt.)	≡
27	1	HY9910-130491	Ball Valve 3/8" H.B.	58.14
29	1	HY9910-1040761	Port Adapter 3/4" NPT	35.70
30	2	HY9910-390180	O-Rings	.82
31	2	HY9910-1040690	Clip	15.64
32	1	HY9910-120150	Elbow	16.32
33	1	HY9910-269050	Safety Relief Valve	24.48
34	2	HY9910-390290	O-Ring	1.43

Ref. No.	Qty Req'd	Stock No.	Description	Price
35	1	HY9910-450120	Port Adapter	\$ 9.86
36	1	HY9910-1300010	Body	430.44
37	1	HY9910-580060	Hose Barb Nut	9.79
38	1	HY9910-580040	Hose Barb	13.94
39	4	HY9910-200230	Bolt	.95
40	4	HY9910-640230	Piston	2.79
n41	6	HY9910-480440	O-Ring	1.16
42	2	HY9910-1300101	Head	117.64
43	1	HY9910-1300102	Head	117.64
p44	6	HY9910-1409050	Valve	21.08
p45	6	HY9910-620030	O-Ring	1.16
p46	6	HY9910-540361	O-Ring	1.16
47	3	HY9910-1300190	Valve Retainer	30.94
48	6	HY9910-540290	Bolt	2.04
49	1	HY9910-550056	Oil Clip	7.41
50	1	HY9910-550040	O-Ring	1.16
51	1	HY9910-550030	Oil Sight Glass	11.49
52	2	HY9910-550331	Washer	.82
53	2	HY9910-850850	Bolt	1.56
54	1	HY9910-180101	O-Ring	.95
55	1	HY9910-130171	Plug	3.06
56	1	HY9910-770070	Plug	5.85
57	2	HY9910-1300280	Spacer	2.86
58	2	HY9910-1300090	Mounting Base	11.83
59	4	HY9910-1300360	Bolt	4.49
60	4	HY9910-820670	Bolt	1.56
61	1	HY9910-1500350	Shield (opt.)	39.78
62	1	HY9910-1300160	Thru-Shaft (opt.)	500.14
63	1	HY9910-650250	Key	3.47
68	1	HY9910-680300	1-3/8" Spine Adapter	123.76
69	1	HY9910-961340	Washer	.88
70	1	HY9910-680350	Bolt	1.56
72	1	HY9910-110131	Hose Barb	7.68
73	1	HY9910-1040490	Adapter	4.69
74	1	HY9910-1040950	Cotter Pin	.75

≡ PLEASE CONTACT US FOR PRIC-

**MODELS: D703 & D904
REPLACEMENT PARTS**



REPAIR PARTS KITS FOR D703

Code 4 **A**

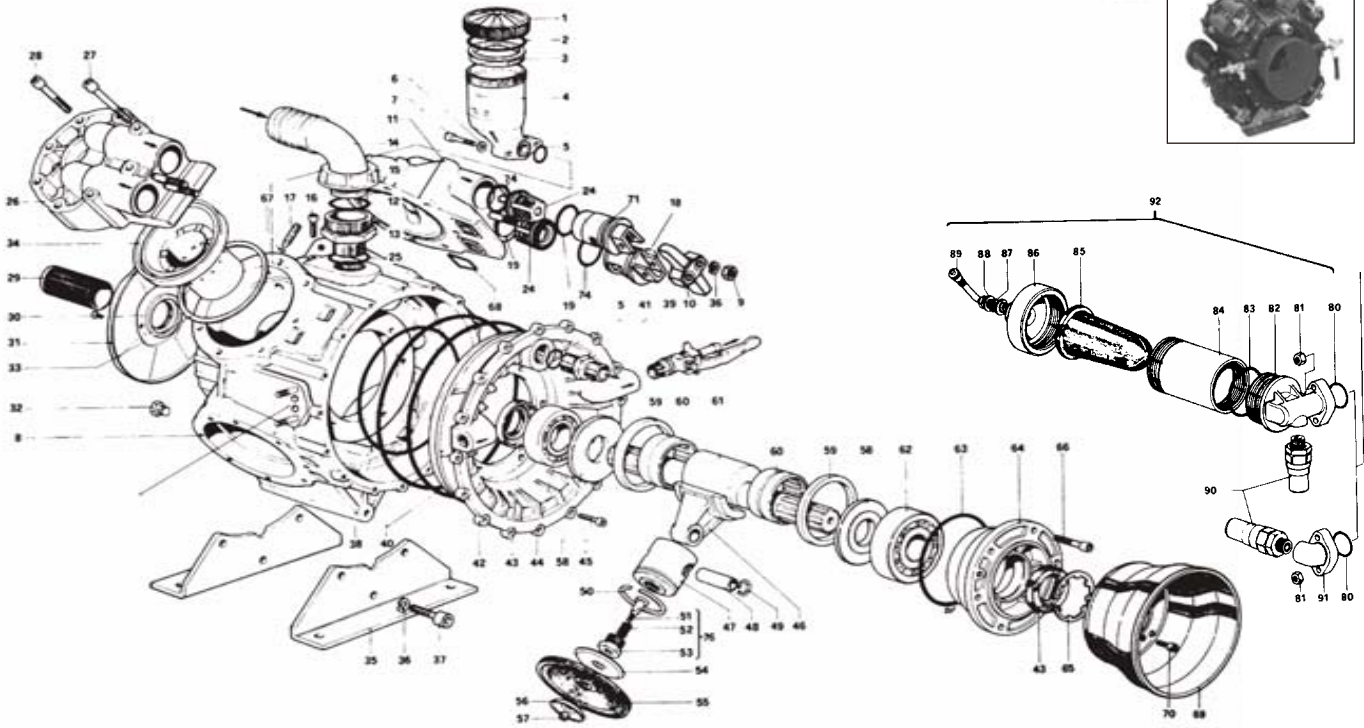
Stock No.	Mfg. No.	Parts Inc.	Description	Price Ea.
HYK-29	9910-KIT1885	n	Diaphragm Kit	\$127.50
HYK-30	9910-KIT1963	p	Valve Kit	169.66
HYK-33	9910-KIT2105	s	O-Ring Kit	62.90
REPAIR PARTS KITS FOR D904				
HYK-31	9910-KIT1886	l	Diaphragm Kit	\$165.58
HYK-32	9910-KIT1964	m	Valve Kit	226.10
HYK-33	9910-KIT2105	s	O-Ring Kit	62.90

Ref. No.	Qty Req'd 703 904	Stock No.	Description	Price Each
1	3 4	HY9910-580360	Bolt	\$ 9.32
2	3 4	HY9910-1040180	Washer	12.24
h3	3 4	HY9910-1040080	Diaphragm (std.)	30.60
4	3 4	HY9910-1040081	Diaphragm Buna (opt.)	31.96
4	3 4	HY9910-1040110	Piston Sleeve	ii
5	3 4	HY9910-650190	Piston Ring	11.70
6	3 4	HY9910-1040120	Piston	84.32
7	3 4	HY9910-1040070	Connecting Pin	24.14
8	6 8	HY9910-1040270	Snap Ring	3.94
9	3 4	HY9910-1040141	Connecting Rod	66.64
10	1 1	HY9910-1400150	Shaft Seal	18.36
11	1 1	HY9910-650200	Bearing	186.32
12	1 1	HY9910-1040170	Crankshaft	390.66
13	1 1	HY9910-161050	Snap Ring	11.02
14	1 1	HY9910-161060	Bearing	58.48
15	2 2	HY9910-1040551	Head (Right)	151.64
16	1	HY9910-1040320	Oil Cap	34.34
s17	1	HY9910-650920	O-Ring	1.77
18	1	HY9910-1040310	Oil Reservoir (703)	63.58
19	2 2	HY9910-680350	Bolt	1.56
20	3 3	HY9910-380241	Washer	.82
s21	3 2	HY9910-390180	O-Ring	.82
22	1 1	HY9910-269050	Relief Valve	24.48
23	1 2	HY9910-1040552	Head (left)	151.64
24	8 12	HY9910-750060	Head Bolt	6.46
25	1	HY9910-1040202	Bracket	ii
26	4 4	HY9910-750070	Head Bolt	7.14
27	2 3	HY9910-1040470	Plug (904)	3.20
28	2 2	HY9910-320360	Bolt	1.09
29	1	HY9910-1040260	Plug (703)	9.52
30	1	HY9910-1040210	Damper	85.00
m p31	6 8	HY9910-1409050	Valve Assembly	21.08
s32	1 1	HY9910-540360	O-Ring	1.77
33	1 1	HY9910-1040220	Body	98.26
h34	1 1	HY9910-1040240	Diaphragm	16.66
35	1 1	HY9910-1040230	Cap	24.48
s36	1 1	HY9910-650542	O-Ring	1.16
37	1 1	HY9910-550300	Valve Stem	9.11
s38	4 4	HY9910-640070	O-Ring	.82
39	2 2	HY9910-1040340	Retaining Ring	31.62
s40	5 6	HY9910-1200690	O-Ring	1.09
41	1	HY9910-1040020	Manifold Plate	59.16

Ref. No.	Qty Req'd 703 904	Stock No.	Description	Price Each
43	1	HY9910-1040010	Body (703)	\$583.44
s44	2 2	HY9910-250310	O-Ring	1.29
45	1 1	HY9910-540530	Port Adapter	16.32
lrs46	6 8	HY9910-770570	O-Ring	.82
47	1 1	HY9910-540540	H.B. Nut	11.63
48	1 1	HY9910-540550	H.B. 1-1/2"	21.42
49	1	HY9910-1040420	Flange	88.06
50	1 1	HY9910-1040590	Bracket	33.32
51	1 1	HY9910-1040570	Snap Ring	10.40
52	1 1	HY9910-1040050	Shaft Seal	33.32
s53	1 1	HY9910-1040090	O-Ring	9.45
s54	2 2	HY9910-1040060	O-Ring	5.85
55	1 1	HY9910-1040150	Manifold	177.48
56	12 12	HY9910-1040370	Bolt	2.86
57	6 6	HY9910-780060	Bolt	1.09
58	1 1	HY9910-1040330	Shield	ii
59	1 1	HY9910-130491	Valve w/o Barb	58.14
59	1 1	HY9910-130492	Valve with Barb	58.14
61	1 1	HY9910-1040690	Clip	15.64
62	1	HY9910-1040410	Plate	59.50
63	1	HY9910-1040400	Body (904)	480.42
64	1	HY9910-750040	Gasket	.95
s65	1	HY9910-580230	O-Ring	2.72
66	1	HY9910-750056	Oil Cap	ii
Impns46	6 8	HY9910-620030	O-Ring	1.16
76	1	HY9910-750030	Oil Reserve (904)	36.04
85	1	HY9910-Kit 1524	Damper (703)	214.54
86	1	HY9910-Kit 1525	Damper (904)	214.54
87	12 16	HY9910-250141	Washer	ii
89	1	HY9910-1040201	Bracket	ii
90	1	HY9910-1040580	Bracket	33.32
94	1 1	HY9910-1400140	Flange	12.92
95	1 1	HY9910-1500350	Cover (opt.)	39.78
96	4 4	HY9910-820670	Bolt	1.56
97	1 1	HY9910-900210	Elbow	ii
98	3 4	HY9910-1300190	Valve Retainer	30.94
99	6 8	HY9910-620610	Bolt	1.16
100	1 1	HY9910-1040760	Adaptor (3/4 NPT)	35.70
102	1 1	HY9910-1040490	Adaptor	4.69
103	1 1	HY9910-1400110	Washer	27.88
sp104	6 8	HY9910-540361	O-Ring	1.16
105	1 1	HY9910-1040950	Cotter Pin	.75
106	1 1	HY9910-110130	H.B. (1/2")	10.74

ii PLEASE CONTACT US FOR PRIC-

MODELS: D1304, D1504 & D1554 REPLACEMENT PARTS



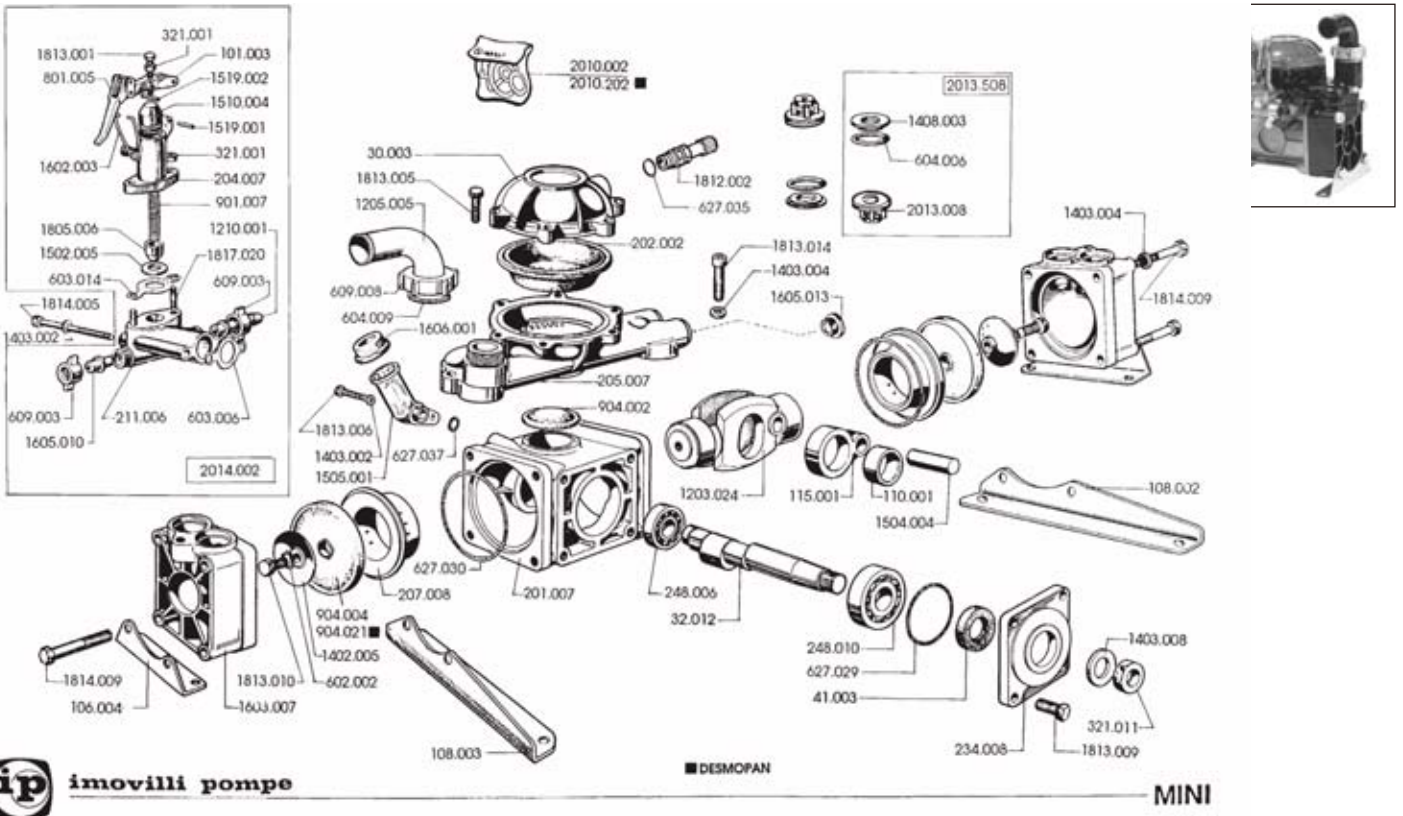
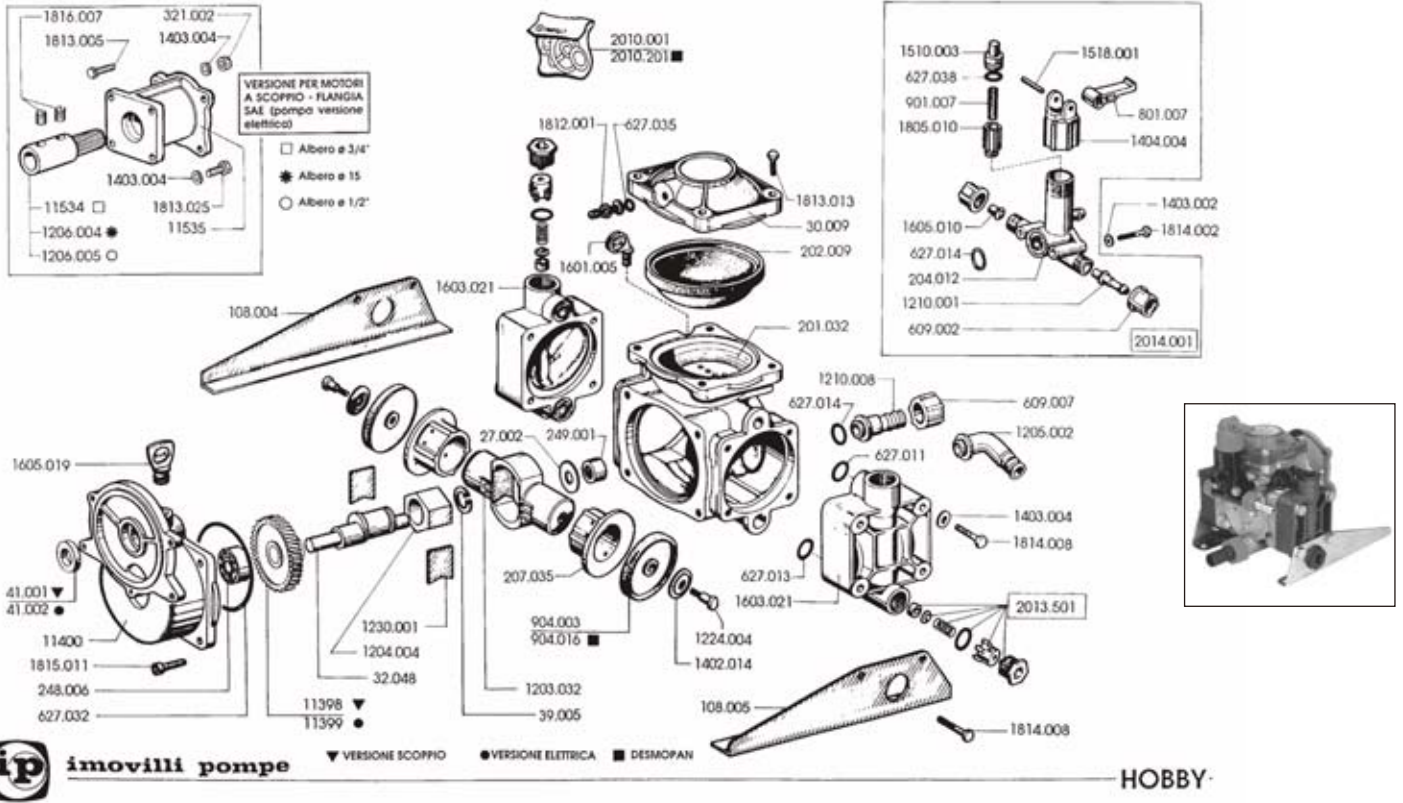
Code 4 **A**

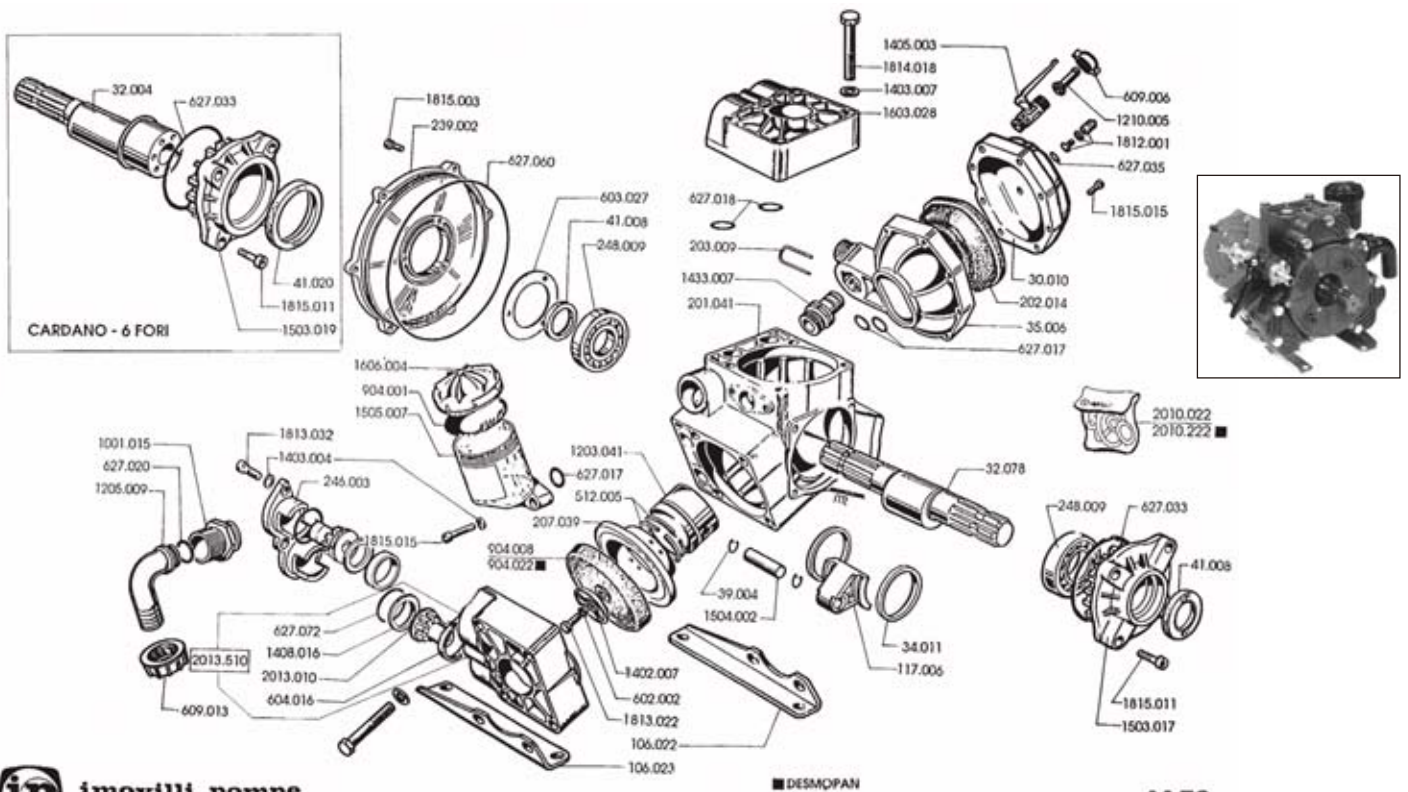
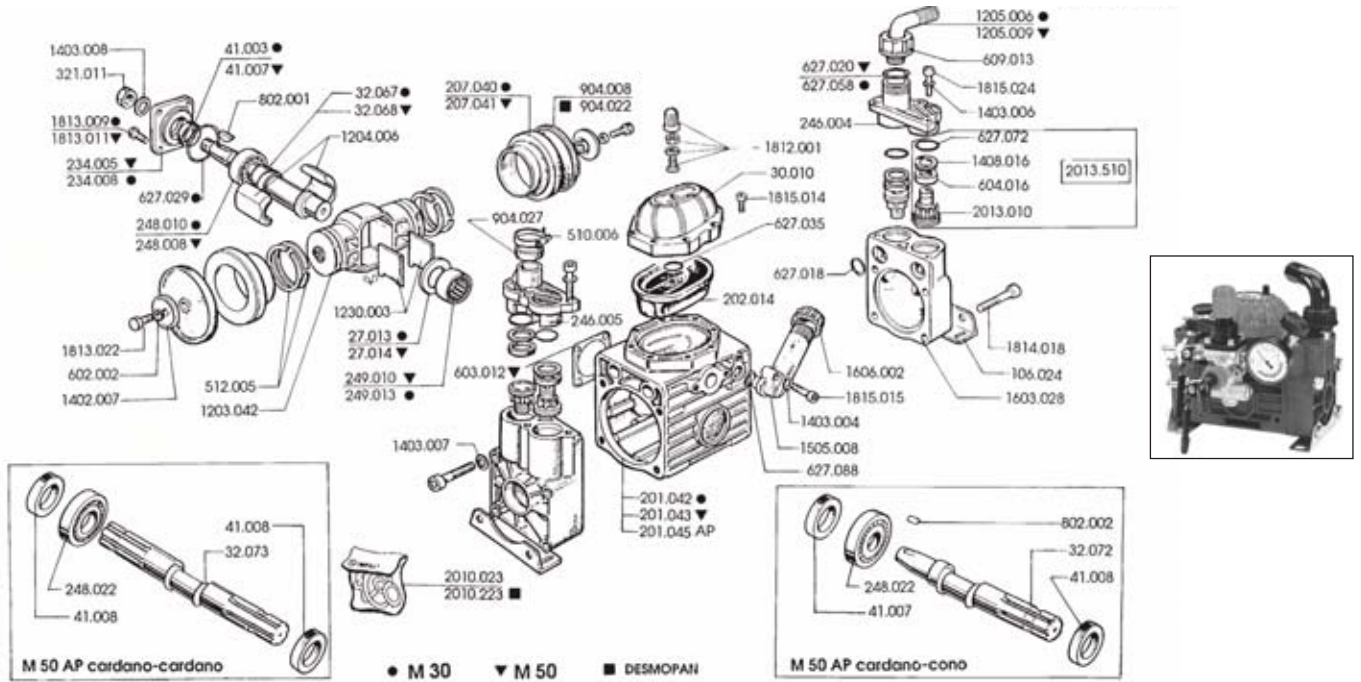
Ref. No.	Qty Req'd	Stock No.	Description	Price
1	1	HY9910-750056	Cap	∅
s2	1	HY9910-580230	O-Ring	2.72
3	1	HY9910-680040	Cap	6.80
4	1	HY9910-680030	Reservoir	42.84
s5	2	HY9910-390180	O-Ring	.82
6	2	HY9910-380241	Washer	.82
7	2	HY9910-680350	Bolt	1.56
8	1	HY9910-850010	Body	1480.70
9	8	HY9910-851300	Nut	1.43
10	4	HY9910-850271	Retainer	38.42
11	2	HY9910-850103	Head R.H.	257.04
s12	1	HY9910-390201	O-Ring	3.67
13	1	HY9910-391290	Adapter Nut	21.42
14	1	HY9910-540550	Hose Barb	21.42
15	1	HY9910-540540	Barb Nut	11.63
16	1	HY9910-850370	Bolt	1.77
17	4	HY9910-850190	Bleeder Bolt	7.41
18	4	HY9910-850161	Retainer, Suction	32.30
ps19	8	HY9910-230060	O-Ring	1.22
p24	8	HY9910-909050	Valve Assy	36.04
s25	1	HY9910-540360	O-Ring	1.77
26	2	HY9910-850104	Head L.H.	238.68
27	12	HY9910-850260	Bolt	8.64
28	20	HY9910-620870	Bolt	7.14
29	1	HY9910-850920	Protector	13.19
30	3	HY9910-850930	Screw	3.94
31	1	HY9910-850910	Housing	12.51
32	1	HY9910-130171	Drain Plug	3.06
33	4	HY9910-850280	Gasket	9.86
34	4	HY9910-850111	Sleeve (D1304)	∅
34	4	HY9910-850110	Sleeve (D1504)	153.68
35	2	HY9910-850200	Base	46.24
36	8	HY9910-250141	Washer	∅
37	6	HY9910-850330	Bolt	5.44
s38	1	HY9910-850300	O-Ring	11.63
39	2	HY9910-160141	Ball Valve	61.88
s40	2	HY9910-850310	O-Ring	24.82
41	1	HY9910-850740	Outlet Fitting	22.10
42	1	HY9910-850150	Manifold	422.62
43	2	HY9910-230380	Seal	∅
44	1	HY9910-230350	Bearing	113.56
45	16	HY9910-320360	Bolt	1.09
46	4	HY9910-850140	Rod	113.90
47	4	HY9910-850121	Piston (D1304)	62.22
47	4	HY9910-850120	Piston (D1504)	62.56
48	4	HY9910-160700	Pin (D1304)	25.16
48	4	HY9910-650071	Pin (D1504)	21.08
49	8	HY9910-160961	Ring	1.63
50	4	HY9910-850240	Ring (D1304)	8.64
50	4	HY9910-260231	Ring (D1504)	8.98

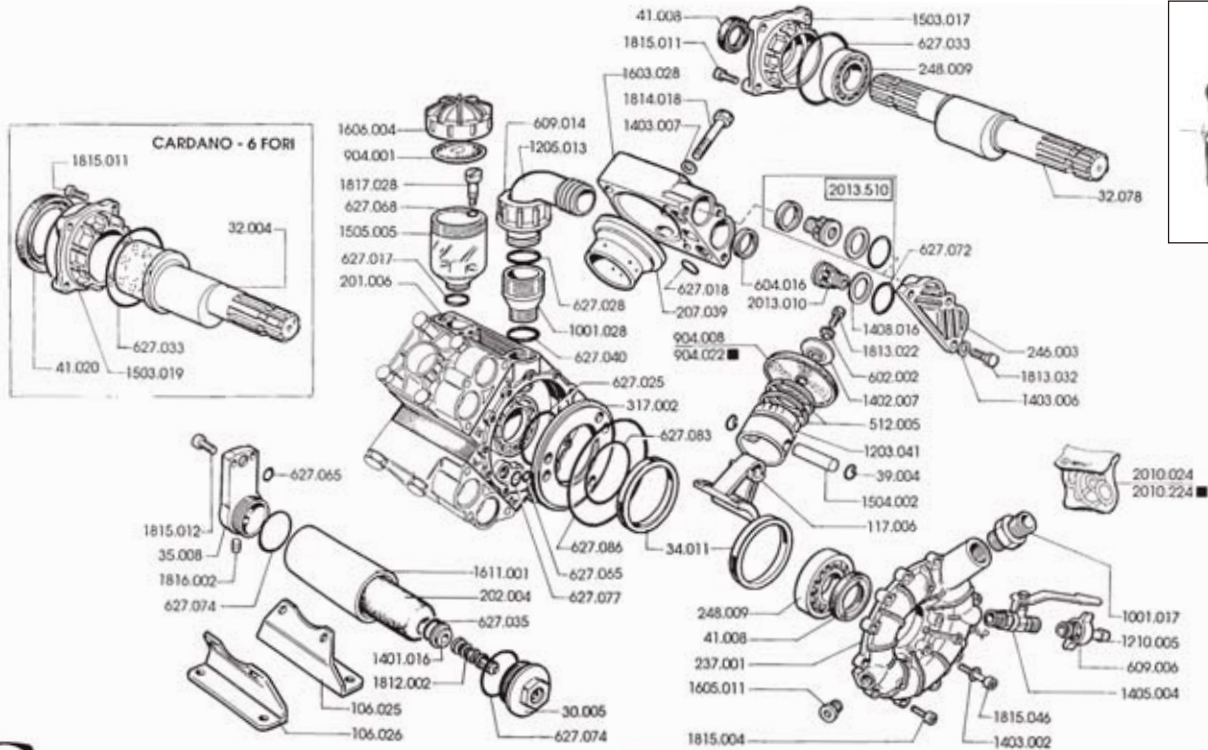
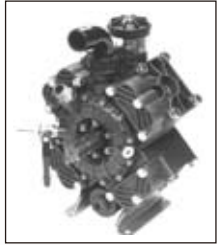
Stock No.	Mfg. No.	Parts Inc.	Description	Price Ea.
HYK-35	9910-KIT1734	n	Diaphragm Kit	\$178.84
HYK-36	9910-KIT1965	p	Valve Kit	306.68
HYK-37	9910-KIT1744	s	O-Ring Kit	122.74

Ref. No.	Qty Req'd	Stock No.	Description	Price
51	4	HY9910-850220	Bolt	\$ 22.78
52	4	HY9910-850090	Spring	2.65
53	4	HY9910-850230	Lock Nut	12.85
54	4	HY9910-650090	Washer	10.68
n55	4	HY9910-850085	Diaphragm Desmopan (Std.)	37.40
55	4	HY9910-85008T	Diaphragm Teflon (opt.)	43.86
55	4	HY9910-850080	Diaphragm Buna (opt.)	34.34
56	4	HY9910-650390	Washer	10.61
57	4	HY9910-160311	Lock Nut	4.42
58	2	HY9910-540040	Spacer	38.42
59	2	HY9910-850130	Ring	34.34
60	2	HY9910-850320	Bearing	193.80
61	1	HY9910-850170	Crankshaft	426.02
62	1	HY9910-160750	Bearing	295.80
s63	1	HY9910-850290	O-Ring	8.91
64	1	HY9910-850020	Retainer	164.56
65	1	HY9910-200390	Ring	8.09
66	6	HY9910-540130	Bolt	4.28
s67	4	HY9910-851280	O-Ring	.82
n68	8	HY9910-85030	Gasket	3.33
69	1	HY9910-150030	Shield	39.78
70	3	HY9910-180431	Bolt	1.02
71	4	HY9910-850181	Holder	30.60
72	40	HY9910-200231	Lock Washer	1.16
73	2	HY9910-851250	Stud	2.58
s74	8	HY9910-680070	O-Ring	2.65
76	1	HY9910-859080	Retaining Assy.	38.42
s80	1	HY9910-390290	O-Ring	1.43
81	2	HY9910-380240	Nut	.82
82	1	HY9910-851210	Damper Support	66.30
83	1	HY9910-851270	O-Ring	4.15
84	1	HY9910-851220	Damper Cylinder	116.28
85	1	HY9910-851230	Damper Diaphragm	23.46
85	1	HY9910-85123T	Damper Diaph. Teflon (opt.)	30.94
86	1	HY9910-851240	Cap	63.92
87	1	HY9910-650542	O-Ring	1.16
88	1	HY9910-380241	Lock Washer	.82
89	1	HY9910-380440	Air Valve	45.90
90	1	HY9910-369050	Relief Valve	24.48
91	1	HY9910-851260	Flange	25.16
92	1	HY9910-KIT1526	Damper Assy.	300.56

∅ PLEASE CONTACT US FOR PRIC-







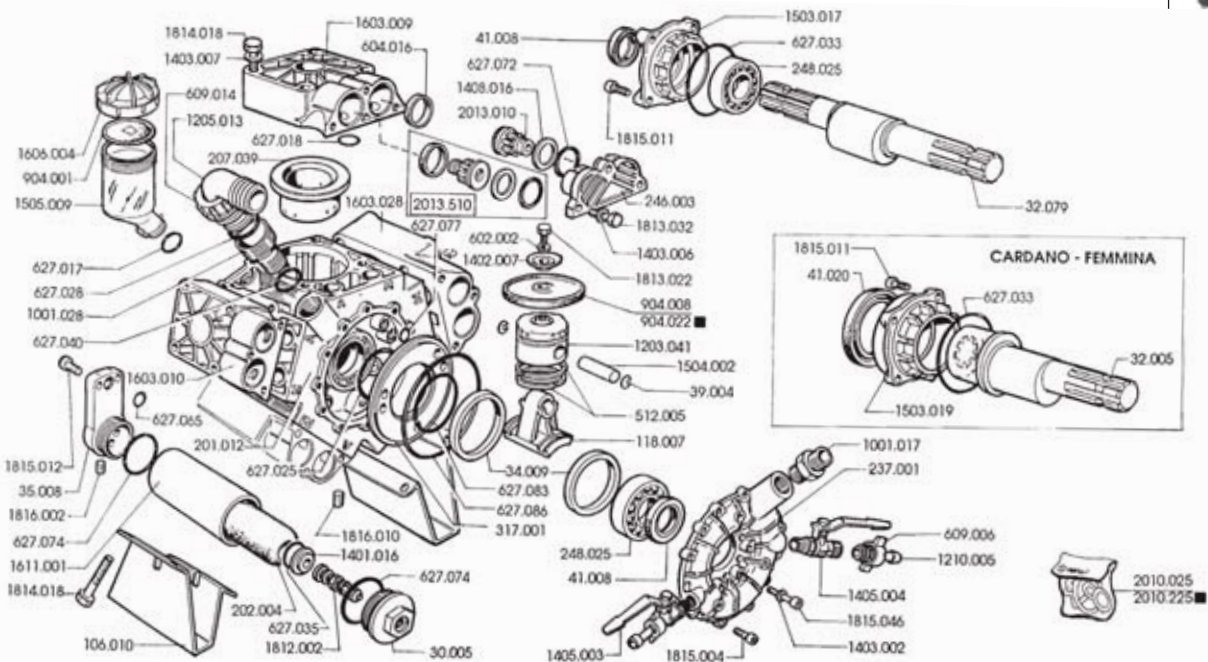
imovilli pompe

■ DESMOPAN

M 104



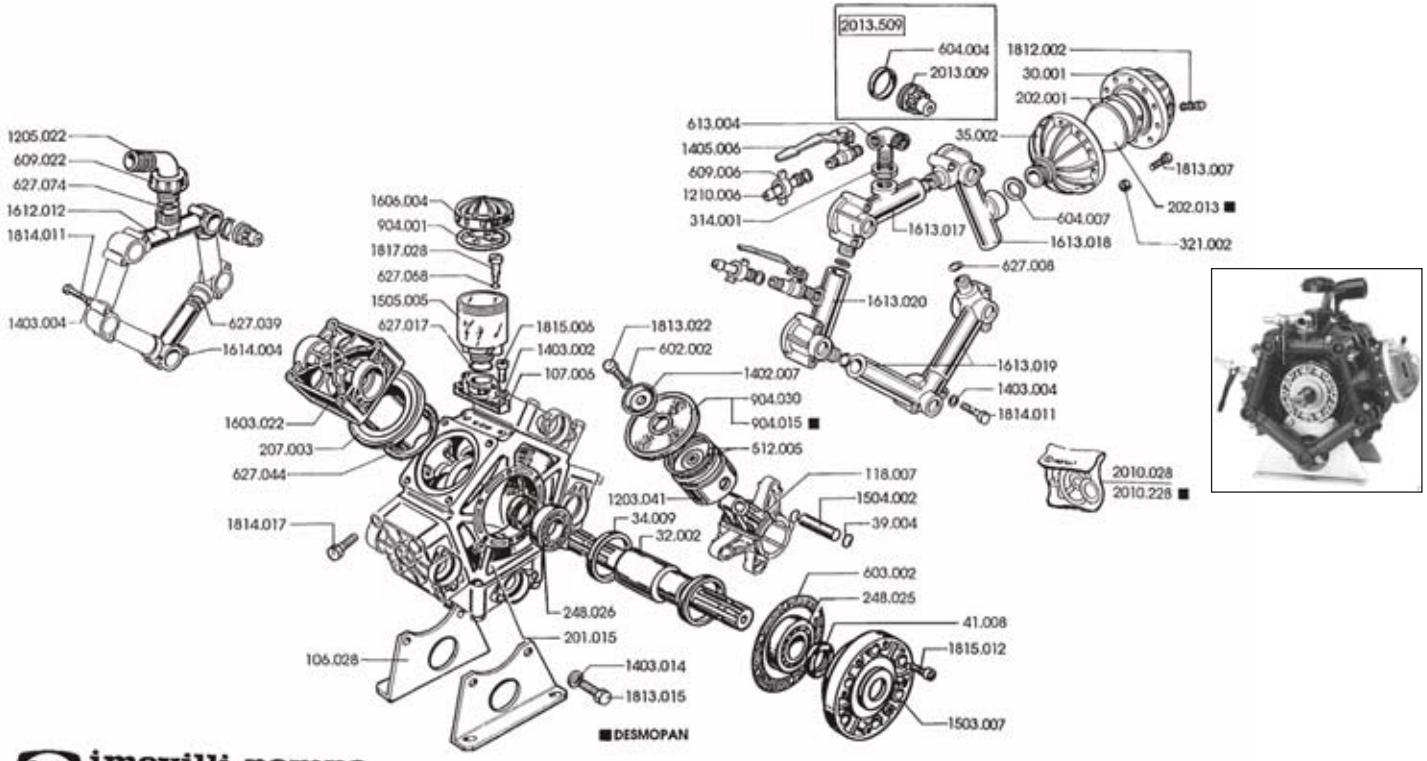
M135/S PUMP PARTS



imovilli pompe

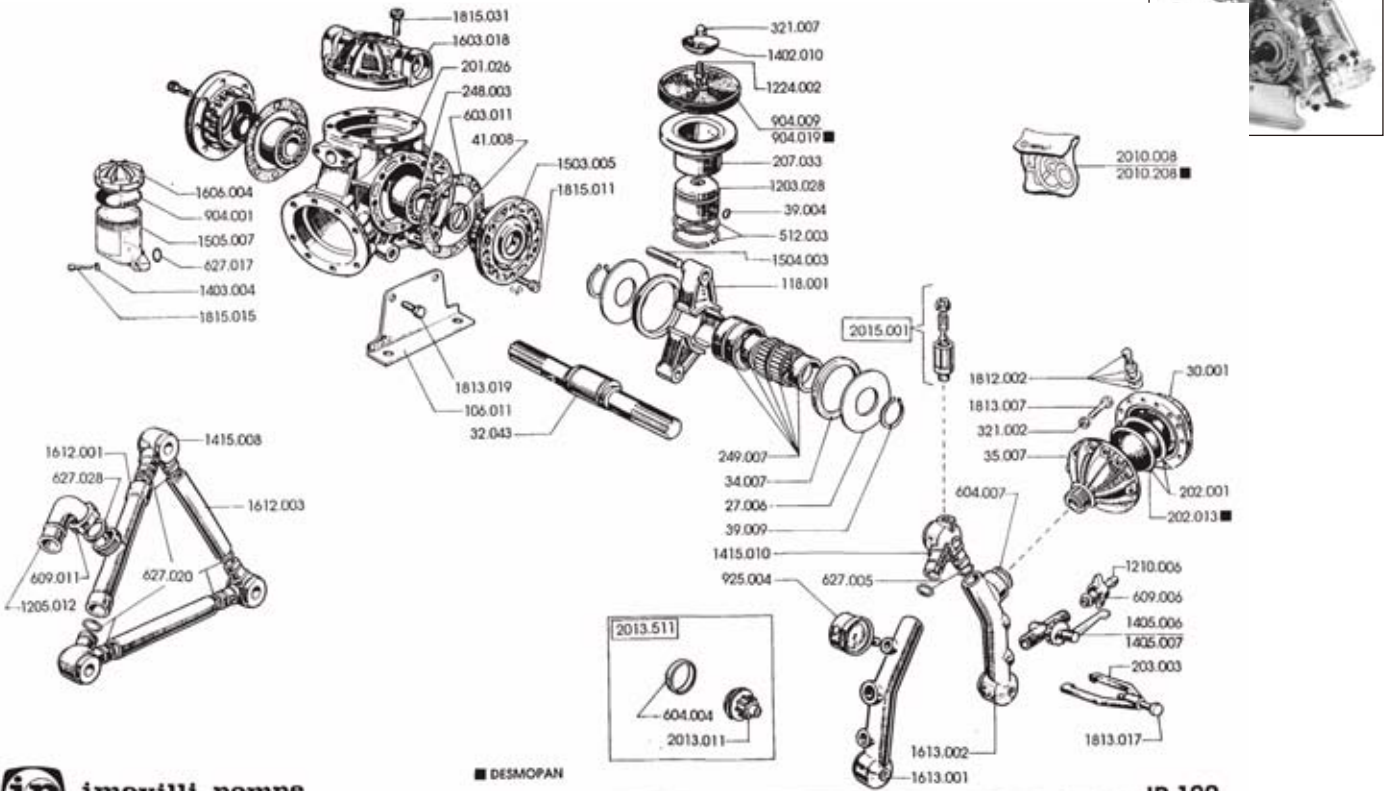
■ DESMOPAN

M 135



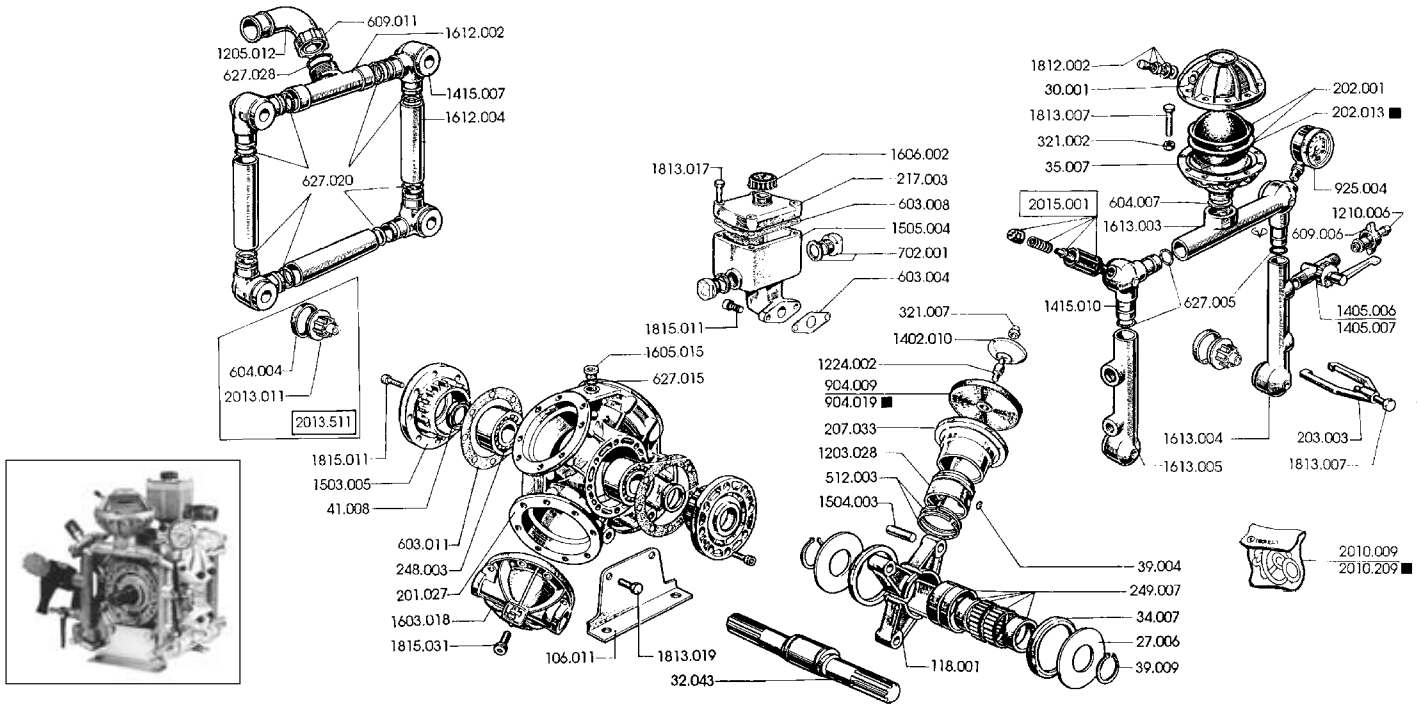
ip imovilli pompe

M 155



ip imovilli pompe

IP 100



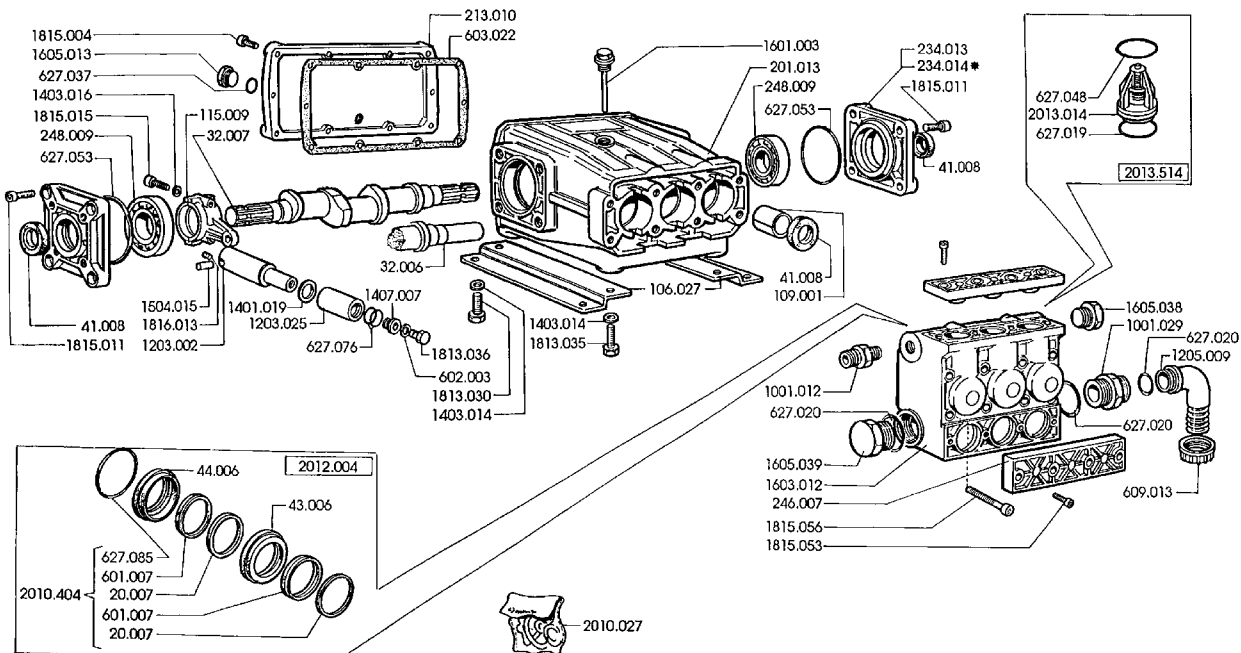
imovilli pompe

■ DESMOPAN

IP 140



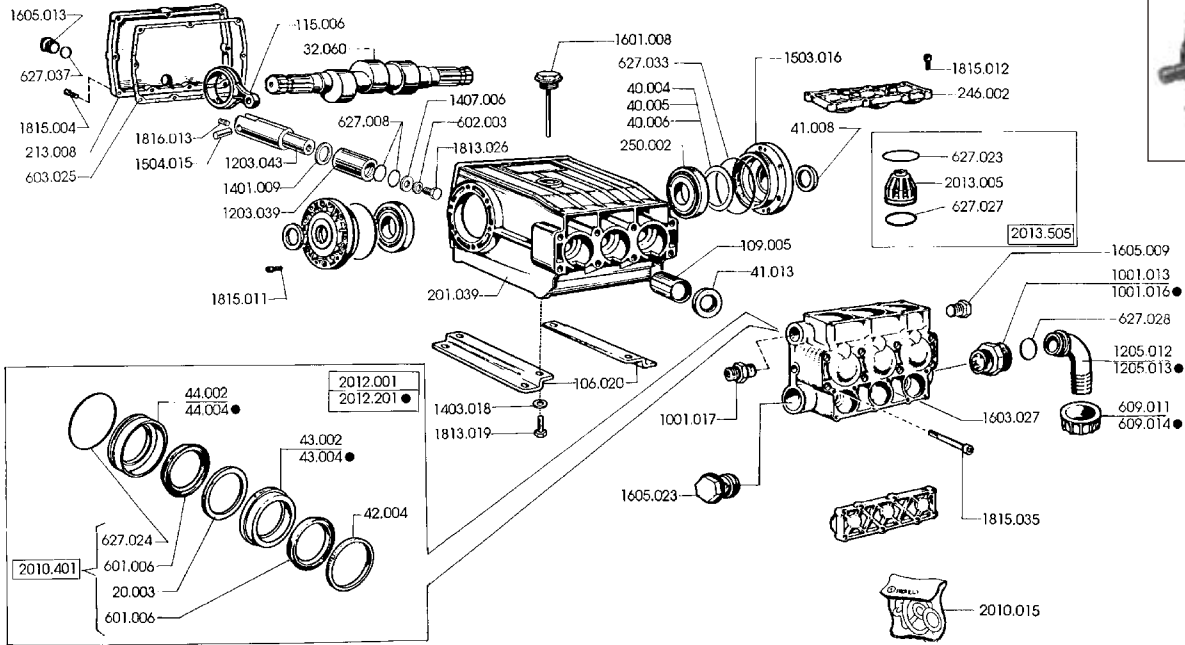
P63 PUMP PARTS



imovilli pompe

* Coperchio x riduttore

P 63



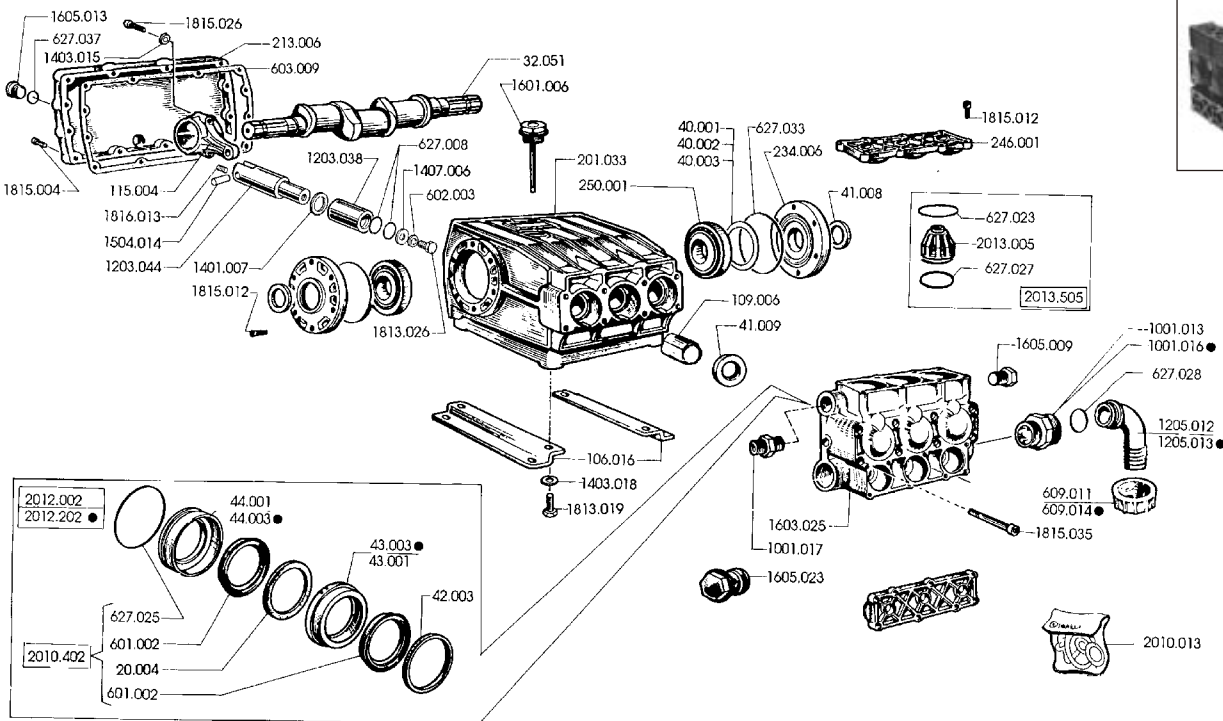
imovilli pompe

● VERSIONE CONCIMAZIONE LIQUIDA

P 93



P123 PUMP PARTS



imovilli pompe

● VERSIONE CONCIMAZIONE LIQUIDA

P 123