

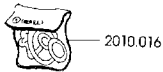
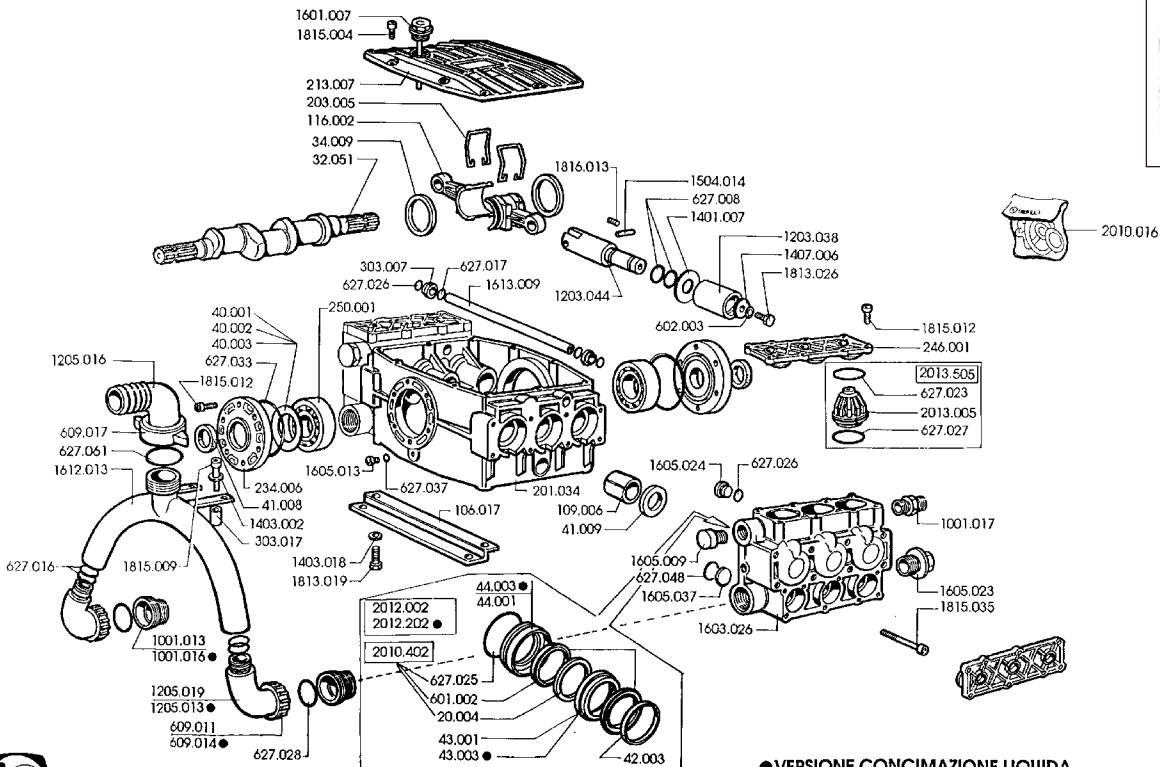
**imovilli pompe**

● VERSIONE CONCIMAZIONE LIQUIDA

**P 186**



**P246 PUMP PARTS**



**imovilli pompe**

● VERSIONE CONCIMAZIONE LIQUIDA

**P 246**





Stock No.	Description	Price Ea.	Stock No.	Description	Price Ea.	Stock No.	Description	Price Ea.
ME1001.003	Nipple	\$121.23	ME10845	Flange	65.46	ME1203.037	Piston MV50	254.58
ME1001.006	Nipple	25.45	ME109.003	Bushing	22.54	ME1203.0387	Piston (P Series)	273.98
ME1001.007	Nipple for MV65	21.10	ME109.004	Bushing	25.70	ME1203.039	Piston for P93	218.22
ME1001.008	Nipple	23.52	ME109.005	Bushing for P93	32.74	ME1203.041	Piston M70	50.92
ME1001.009	Nipple	23.03	ME109.006	Bushing	36.37	ME1203.042	Piston M30/50	130.93
ME1001.013	2 x 1-1/4" Brass Reducer	40.09	ME10949	Bevel Pinion	193.97	ME1204.004	Eccentric Block (Hobby)	15.76
ME1001.015	1-1/4" Nipple (M70)	16.97	ME10985	Splined Pinion	164.88	ME1204.005	Shaft Sleeve	32.15
ME1001.016	1-3/4 x 1-1/4 Plastic Reducer	19.89	ME110.001	Bushing (Mini)	26.68	ME1204.006	Sleeve Bearing	27.89
ME1001.017	Nipple	21.82	ME11048	Gearbox Housing	109.11	ME1205.002	90 Deg. Hosetail f(M Series)	3.87
ME1001.018	Nipple	11.64	ME11049	Slide Coupling	96.99	ME1205.003	90 Deg. Hosetail (D70)	9.90
ME1001.020	Nipple	12.12	ME11050	Gear	218.22	ME1205.004	1" 90 Elbow (IP+P Series)	10.18
ME1001.021	Nipple	10.71	ME11051	Front Coupling	121.23	ME1205.005	90 Deg. Hosetail (Mini)	6.06
ME1001.023	Use 1001.015-1205.006-609013	16.25	ME11052	Internal Disconnect Lever	48.49	ME1205.006	1-1/4" x 1" Elbow	12.85
ME100F	1-3/8" Female PTO adaptor	156.78	ME11053	Inner Eccentric Block	15.76	ME1205.007	1" 90 Elbow (M-IP-P Series)	24.24
ME100M	1-3/8" Male splined Shaft	74.01	ME11056	Gear	218.22	ME1205.008	90 Deg. Hosetail	30.37
ME100R	1-1/4" Round shaft c/w	82.34	ME11057	Gear	218.22	ME1205.009	1.25" 90 Elbow (M-D Series)	13.83
ME101.003	Lever Bracket (Mlni)	16.25	ME11123	External Disconnect Lever	43.65	ME1205.010	90 Degree Hose Barb (M85)	33.95
ME101.004	Lever Bracket (MV R/V)	20.12	ME11124	Outer Eccentric Block	13.33	ME1205.012	2" Elbow (P Series)	55.77
ME101.005	Lever Bracket	25.00	ME11135	Gearbox Housing	104.26	ME1205.013	1.5" 90 Elbow (M130)	19.39
ME101.006	Lever Bracket	24.45	ME11136	Gearbox Cover	101.84	ME1205.016	90 Deg. Hosetail	92.14
ME102.002	Lever Bracket	15.73	ME11149	Gear	218.22	ME1205.017	90 Deg. Hosetail	23.56
ME10208	Nut for MV40 Shaft	16.97	ME11183	Lever Spring	6.79	ME1205.018	2" 90 Degree Elbow (D245)	29.10
ME10268	Gearbox Housing (MINI)	78.80	ME11354	Splined Pinion	164.88	ME1205.019	Brass Elbow for P246	70.31
ME10269	Gearbox Cover	80.01	ME11355	Shoulder Ring	9.70	ME1206.002	Pinion Gear (1")	228.34
ME10270	Gear for MINI B.X.A	84.87	ME11394	Gear Box Housing	107.17	ME1206.003	Pinion Gear for B+S Gearbox	66.12
ME103.001	"Y" Fitting	35.88	ME11398	Gear	77.58	ME1210.001	Straight Hosetail	5.08
ME10311	Gasket	0.85	ME11399	Gear	77.58	ME1210.002	Straight Hosetail	3.30
ME10321	Gasket (Mini Gearbox)	1.21	ME11400	Gearbox Housing	72.74	ME1210.004	Hosetail	5.34
ME10367	Gasket	0.67	ME11409	Sub. 1206.003	150.05	ME1210.005	3/8" Brass Hosetail	5.34
ME10480	Gasket	2.92	ME11409M	Pinion Gear M Series	0.00	ME1210.006	Straight Hosetail	5.34
ME105.001	U-clamp	28.58	ME11422	S.S. Tank	500.15	ME1210.007	1/2" Hosetail (Mini-M70)	8.48
ME10567	Bevel Pinion	164.88	ME11424	Handle	96.45	ME1210.008	3/4" Hosetail for Hobby	3.64
ME10586	Gearbox Cover	116.38	ME11425	Suction Hose	42.88	ME1210.009	Straight Hosetail	8.48
ME106.004	Pump Feet	5.60	ME11426	Bracket	18.58	ME1210.011	Straight Hosetail	10.67
ME106.005	Pump Feet (MV40)	10.91	ME11428	Pinion Gear Sleeve	32.85	ME1210.012	Straight Hosetail	13.19
ME106.006	MV65 Pump Feet	13.83	ME11434	Lance Holder	8.94	ME1210.013	Straight Hosetail	10.37
ME106.008	Pump Feet	28.56	ME115.001	Connecting Rod for Mini	55.52	ME1210.014	Straight Hosetail	8.59
ME106.011	Pump Feet (IP)	21.82	ME115.002	Connecting Rod	84.87	ME1210.015	Straight Hosetail	16.09
ME106.012	Pump Feet L/R (D105)	10.91	ME115.003	Connecting Rod	107.17	ME1210.016	Straight Hosetail	7.15
ME106.013	Pump Feet L/R (D105)	10.91	ME115.004	Connecting Rod (P123)	98.20	ME1210.017	Straight Hosetail	7.15
ME106.014	Pump Feet (D Series)	10.91	ME11534	Pinion Gear for Hobby	179.42	ME1210.019	1-1/4" Straight Hosetail	7.77
ME106.016	Pump Feet	26.68	ME11535	Housing for B.S. (Hobby)	152.75	ME1212.004	Piston for CD3	25.45
ME106.017	Pump Feet (P246)	30.31	ME116.001	Connecting Rod (MV65)	84.87	ME1224.001	Hex Screw	32.01
ME106.018	Pump Feet (M130+D174)	35.16	ME116.002	Connecting Rod	66.68	ME1224.002	Dia. Retaining bolt	12.61
ME106.019	Pump Feet	42.43	ME117.001	Connecting Rod	76.81	ME1224.003	Dia. Retaining Bolt	19.39
ME106.022	Right Side Pump Foot (M70)	13.33	ME117.002	Connecting Rod (D70-D105)	42.43	ME1224.004	Dia. Retaining Bolt	16.97
ME106.023	Left Side Pump Foot (M70)	13.33	ME117.003	Connecting Rod	0.00	ME1224.005	Diaphragm Retaining Bolt	15.84
ME106.024	Pump Feet (M30-50)	8.48	ME117.004	Connecting Rod (M70)	38.80	ME1224.006	Dia. Retaining Bolt	16.97
ME10610	Gear	92.14	ME117.005	Connecting Rod D70-D105	60.73	ME1224.007	Dia. Retaining Bolt	16.97
ME10611	Gearbox Housing	55.77	ME117.006	Connecting Rod (M73)	42.43	ME1230.001	Thrust Plate (Hobby)	4.13
ME10612	Gearbox Cover	60.62	ME118.001	Connecting Rod (IP Series)	126.08	ME1230.002	Lever Plate	16.49
ME10613	Gasket	1.71	ME118.002	Connecting Rod	118.81	ME1230.003	Spacer Plates	7.27
ME107.003	Oil Fill Base	7.27	ME118.003	Connecting Rod (M85)	42.43	ME1234.001	Obsolete 1234.005+ 1602.002	13.19
ME107.004	Oil Fill Base	54.55	ME118.004	Connecting Rod D171/M130	42.43	ME1234.002	Piston	29.69
ME107.005	Oil Fill Base	70.31	ME118.007	Connecting Rod D174/D245	42.43	ME1234.003	Piston for R/V	15.27
ME10740	Gasket (Mini Gearbox)	1.71	ME1201.001	Air Valve Cap	0.28	ME1234.005	Piston Sleeve (2014.009)	18.18
ME10741	Bevel Pinion	164.88	ME1201.004	Protective Shield/D Series	26.81	ME1401.003	Washer	0.24
ME10766	Splined Pinion	157.60	ME1203.007	Piston	175.78	ME1401.004	Washer	1.80
ME10775	Gasket for B+S Gearbox	4.85	ME1203.018	Piston	175.78	ME1401.007	Washer	4.61
ME10776	Gear	116.38	ME1203.019	Piston (D174-245)	54.55	ME1401.008	Washer	2.89
ME10797	Drive Gear for M30 B.S.	116.38	ME1203.022	Piston (MV40)	94.56	ME1401.016	Accumulator Washer (M104)	10.91
ME108.002	Motorpump Base L/R	10.91	ME1203.024	Piston Mini	83.64	ME1402.001	Dia. Return Washer MV+D171	21.10
ME108.003	Motorpump Base L/R	10.91	ME1203.028	Piston IP Series	56.50	ME1402.005	Diaphragm Return Washer	12.12
ME108.004	Motorpump Base L/R	8.48	ME1203.031	Piston D70/105	51.40	ME1402.006	Diaphragm Return Washer	3.34
ME108.005	Motorpump Base L/R	8.48	ME1203.032	Piston (Hobby)	79.53	ME1402.007	Dia. Return Washer M-Series	14.06
ME10820	Gasket for B/S Gearbox	2.42	ME1203.035	Piston M85	55.04	ME1402.010	Dia. Return Washer D Series	30.31
ME10844	Pinion Gear	179.42	ME1203.036	Piston P123/246	0.00	ME1402.011	Dia. Washer (M30-50)	2.42



Stock No.	Description	Price Ea.	Stock No.	Description	Price Ea.	Stock No.	Description	Price Ea.
ME1402.013	Dia. Return Washer (Hobby)	5.01	ME1501.017	Valve Seat IP/D70/MV50)	25.45	ME1603.024	Head (P123)	152.75
ME1402.014	Dia. Return Washer (Hobby)	2.42	ME1502.004	Pressure Relief	12.36	ME1603.025	Head	426.73
ME1402.016	Diaphragm Return Washer	4.46	ME1502.005	P.R. Valve Seat (Mini)	3.64	ME1603.026	Head (P246)	455.83
ME1403.001	Special Washer	0.12	ME1502.008	Pressure R.V. Seat	14.06	ME1603.027	Head (P93)	363.69
ME1403.002	Special Washer	0.12	ME1502.009	Modified R/V Seat	72.74	ME1603.028	Pump Head (M30-50-70)	78.80
ME1403.003	Washer	0.28	ME1502.011	Relief Valve Seat CD4	12.54	ME1603.029	Head Left P186	387.94
ME1403.004	Bolt Washer (All models)	0.24	ME1502.012	Pressure Relief Valve Seat	25.45	ME1603.030	Right Head for P186	387.94
ME1403.005	Washer for R/V	0.48	ME1502.013	Valve Seat for R/V	35.16	ME1604.001	Valve Plug Nut	26.68
ME1403.006	Special Washer	0.36	ME1502.014	R/V Seat M30	16.97	ME0604.002	Valve Plug Nut	42.43
ME1403.007	Special Washer	0.62	ME1503.005	Bearing Support (IP Series)	66.68	ME1604.003	Check Valve Plug (Hobby)	4.85
ME1403.008	Special Washer	0.98	ME1503.007	Bearing Support (M85-D171)	61.83	ME1605.001	Finned Tap	1.94
ME1403.009	Special Washer	1.45	ME1503.017	Bearing Cover M70	89.72	ME1605.002	Finned Tap	0.98
ME1403.010	Washer for R/V	0.24	ME1504.002	Piston Pin	9.21	ME1605.003	Plug ("P" Series)	10.67
ME1404.001	Pressure Regulator	25.00	ME1504.003	Piston Pin (IP-D)	10.19	ME1605.004	1/4" Male Plug (P Series)	3.15
ME1404.002	Pressure Regulator (MV)	24.24	ME1504.004	Piston Pin	6.79	ME1605.006	Obsolete Item use 1605.023	12.52
ME1404.003	Pressure Regulator	26.68	ME1504.012	Piston Pin	12.61	ME1605.007	Cap	6.79
ME1404.004	R/V Head (Hobby)	9.70	ME1505.001	Oil Fill (Mini)	3.64	ME1605.009	Plug (M+P Series)	16.25
ME1404.005	Relief Valve Knob (IP-P)	15.76	ME1505.002	Oil Fill (MV)	13.83	ME1605.010	Hosetail Plug (Mini)	0.98
ME1404.009	Adjusting Knob for R/V	7.27	ME1505.004	Oil Fill	59.88	ME1605.011	Plug for Relief Valve (M30)	4.85
ME1404.011	Knob for Control	16.97	ME1505.005	Oil Fill (D171-M130)	41.22	ME1605.012	Cap	5.37
ME1405.001	Ball Valve	7.80	ME1505.006	Oil Fill (D70-105)	10.43	ME1605.013	Cap	4.85
ME1405.002	Ball Valve 1/2" x 3/8"	7.80	ME1505.007	Oil Fill (M73-104)	37.59	ME1605.014	Cap	6.81
ME1405.003	Ball Valve 1/2" x 3/8"	39.52	ME1505.008	Oil Fill (M30-50)	15.76	ME1605.015	Cap (IP140)	4.85
ME1405.004	1/2" x 3/8" Ball Valve (M70)	39.52	ME1505.009	M135 Oil Fill	41.22	ME1605.017	Cap	6.06
ME1405.005	Ball Valve 1/2" x 1/2"	8.90	ME1507.002	Internal Housing - Control	18.18	ME1605.018	Tap Plug	32.74
ME1405.006	Ball Valve .5 x .5	42.20	ME1508.003	Ball Seat	7.77	ME1605.019	Oil Filling Plug (Hobby)	4.13
ME1405.007	Ball Valve .5 x .5	42.20	ME1510.003	Tension Spring Guide	3.87	ME1605.023	Drain Plug+Gasket P Series	12.12
ME1406.001	Rivet	0.48	ME1510.004	Tension Spring Guide (Mini)	7.77	ME1605.024	Manifold Cap	7.27
ME1407.001	Pin Check Washer	33.95	ME1511.001	Bracket	23.56	ME1605.025	Valve Tap Plug	10.71
ME1407.003	Oil Fill Check Washer	2.92	ME1511.002	Bracket for Controls	15.76	ME1605.026	Tap Plug	11.07
ME1407.004	Piston Check Washer	8.59	ME1511.003	Bracket	16.24	ME1605.037	Cap	16.97
ME1407.006	Piston Check Washer	10.04	ME1512.002	Support	8.94	ME1606.001	Oil Filler Cap (Mini)	6.30
ME1408.001	Diaphragm Washer	28.61	ME1516.002	S.S. Ball (D171-P)	5.71	ME1606.002	Oil Filler Cap (M-IP)	4.85
ME1408.003	Valve Washer (Mini)	6.06	ME1516.003	S.S. Ball	7.27	ME1606.004	Oil Filler Cap (M-D-IP)	18.91
ME1408.004	Check Valve Washer	8.98	ME1516.004	S.S. Ball	16.97	ME1609.001	Name Plate, Hobby	0.44
ME1408.005	Valve Washer	8.98	ME1518.001	Lever Pin for R/V (Hobby)	0.76	ME1609.002	Name Plate, Mini	1.34
ME1408.006	Selector Washer	6.79	ME1518.002	Parallel Pin	1.71	ME1609.003	Name Plate, Micro	1.34
ME1408.007	Spring Washer	3.64	ME1518.003	Parallel Pin	1.21	ME1609.005	Name Plate, MV40	1.34
ME1408.008	Washer for R/V	5.58	ME1518.004	Parallel Pin (2014.009)	1.71	ME1609.013	IP100 Name Plate	1.34
ME1408.010	Spring Washer	4.37	ME1518.007	Piston Pin for R/V	1.45	ME1609.016	Name Plate, D70	1.34
ME1408.011	Spring Washer	6.79	ME1519.001	Spring Pin	0.24	ME1609.017	Name Plate, D105	1.34
ME1408.012	Lever Washer	4.85	ME1519.002	Spring Pin	0.24	ME1609.022	Name Plate D171	0.00
ME1408.015	Spring Washer	12.52	ME1519.003	Spring Pin	0.62	ME1609.026	Name Plate, M85	0.00
ME1408.016	Check Valve Seat (M Series)	3.64	ME1519.004	Spring Pin	1.21	ME1612.001	Suction Manifold Pipe IP100	136.50
ME1410.001	Wheel	71.45	ME1519.005	Spring Pin	0.73	ME1612.002	Suction Manifold Pipe	73.95
ME1411.001	Remote Flange use 1411.004	9.93	ME1519.006	Spring Pin	1.45	ME1612.003	Suction Manifold Pipe IP100	66.68
ME1411.002	Remote Flange (M70)	11.15	ME1519.007	Spring Pin	1.94	ME1612.004	Suction Manifold Pipe IP140	71.52
ME1411.004	1/2" Flange Pipe Fitting	30.46	ME1519.009	Spring Pin	0.69	ME1612.007	Suction Manifold Pipe (M85)	64.25
ME1411.008	Mounting Extension for R/V	65.46	ME1601.001	Oil Level Plug	36.37	ME1612.008	Suction Manifold Pipe	74.68
ME1411.010	Modified Flange	0.00	ME1601.005	Oil Level Plug (Hobby)	4.85	ME1612.012	Suction Manifold Pipe	67.89
ME1415.007	Suction Manifold (IP140)	107.90	ME1601.006	Oil Level Plug (P123)	14.55	ME1612.013	Suction Crossover P246	210.95
ME1415.008	Suction Manifold	118.81	ME1601.007	Oil Fill Plug for P246	14.55	ME1613.001	Delivery Man. Pipe (IP100)	290.95
ME1415.009	Pipe Fitting (M85)	31.76	ME1601.008	Oil Level Plug	14.55	ME1613.002	Delivery Mani. Pipe (IP100)	290.95
ME1415.010	Delivery Manifold	86.08	ME1602.001	Tie Rod (MV Relief Valve)	6.06	ME1613.003	Delivery Manifold IP140	146.69
ME1415.011	Suction Manifold (D70-105)	35.16	ME1602.002	Piston (2014.009)	9.70	ME1613.004	Delivery Manifold IP140	123.65
ME1433.001	90 Degree Hosetail	14.55	ME1602.003	Tie Rod (Mini)	4.37	ME1613.005	Delivery Manifold IP140	123.65
ME1433.006	Rotating Pipe Fitting	14.29	ME1603.001	Head (Micro)	121.23	ME1613.006	Del. Manifold Pipe (D171)	51.40
ME1433.007	Accumulator Pipe Fitting	31.52	ME1603.004	Head (MV30-MV40)	86.08	ME1613.008	Del. Manifold Pipe (M85)	60.62
ME1436.001	Reduction	16.97	ME1603.007	Head (Mini)	70.31	ME1613.009	Delivery Manifold Pipe	90.93
ME1501.001	Suction & Delivery	13.33	ME1603.015	Left Head (MV65)	110.32	ME1613.015	Manifold for D245	67.89
ME1501.002	Suction & Delivery	12.12	ME1603.016	Head	152.71	ME1613.016	Disch. Manifold Pipe	55.77
ME1501.003	Suction & Delivery	25.45	ME1603.018	Head (IP100-140)	266.71	ME1614.001	Suc/Del Pipe (D174-M135)	49.71
ME1501.004	Disc for Check Valve	7.27	ME1603.019	Right Head (MV65)	110.32	ME1614.002	Suc/Del Pipe (D171-M130)	48.49
ME1501.013	Check Valve Seat D171-M130	25.45	ME1603.020	Head (D70/D105)	82.43	ME1614.003	Manifold Pipe (M85)	41.70
ME1501.014	C/V Sleeve (Hobby)	4.85	ME1603.021	Pump Head for Hobby	47.28	ME1614.004	Suc. Manifold Pipe M155	62.32
ME1501.015	Suction & Delivery	26.68	ME1603.022	Head (D171-M130)	87.29	ME1802.001	Check Valve	4.37
ME1501.016	Check Valve Seat	20.61	ME1603.023	Head (M85)	198.81	ME1802.002	Check Valve	5.82

Stock No.	Description	Price Ea.	Stock No.	Description	Price Ea.	Stock No.	Description	Price Ea.
ME1802.007	Check Valve Disc	3.15	ME1815.009	Allen Screw	1.21	ME2010.005	Set of Gaskets	153.97
ME1802.008	Check Valve Seat Mini-Hobby	1.24	ME1815.010	Allen Screw	1.94	ME2010.006	Set of Gaskets	172.15
ME1802.009	Check Valve	8.48	ME1815.011	Allen Screw (M-P-IP)	1.94	ME2010.007	Set of Gaskets	163.66
ME1802.010	Check Valve	10.91	ME1815.012	Allen Screw (M+P Series)	1.94	ME2010.008	Set of Gaskets	238.82
ME1802.011	Check Valve Disc (M30-50)	1.21	ME1815.013	Allen Screw (M70)	1.94	ME2010.009	Set of Gaskets (IP140)	298.23
ME1802.012	Check Valve Disc (D70-105)	2.92	ME1815.014	Allen Screw for Acc. Head	2.19	ME2010.010	Sub Part No. 2010.210	179.42
ME1804.002	Ball Valve	23.24	ME1815.015	Allen Screw (D-M Series)	2.19	ME2010.011	Use 2010.211	215.79
ME1805.001	Pressure Relief Valve	0.00	ME1815.016	Allen Screw	2.42	ME2010.012	Wrong # Use 2010.212	4740.52
ME1805.004	Pressure Relief Valve Seat	29.10	ME1815.019	Allen Screw (D Series)	3.40	ME2010.013	Set of Gaskets for P123	276.41
ME1805.005	Pressure Relief Valve	21.82	ME1815.020	Allen Screw (M130)	3.64	ME2010.014	Set of Gaskets	145.48
ME1805.006	Relief Valve Plunger (Mini)	6.06	ME1815.023	Allen Screw	2.92	ME2010.015	Gasket Kit for P93	242.46
ME1805.007	Modified R/V Dia. Washer	72.74	ME1815.024	Bolt for C/V Manifold	3.15	ME2010.016	Set of Gaskets for P246	533.41
ME1805.010	P/R Piston (Hobby)	6.55	ME1815.025	Allen Screw	3.40	ME2010.017	Set of Gaskets for P186	460.68
ME1805.011	Pressure Relief Valve	21.44	ME1815.026	Allen Screw	3.87	ME2010.023	Gasket Kit for M30	96.99
ME1805.012	R/V Seat (Desmopan)	2.92	ME1815.027	Allen Screw	4.13	ME2010.201	Desmopan Gasket Kit Hobby	64.25
ME1805.013	Us P/N 1805.014	3.34	ME1815.028	Allen Screw	4.37	ME2010.202	Set of Gasket Mini Desmopan	87.29
ME1805.014	Washer for R/V M-IP Series	20.61	ME1815.030	Allen Screw (D70-150)	5.58	ME2010.204	Set of Gaskets Desmo. MV40	145.48
ME1805.015	R/V Dia. Washer	16.49	ME1815.031	Allen Screw	7.04	ME2010.206	Repair Kit MV65 Desmopan	207.31
ME1805.017	Seat for 2606.046 (CD10)	13.57	ME1815.032	Use 1815.031	4.68	ME2010.208	Desmopan Gasket Kit IP100	300.65
ME1812.001	Air Valve	7.27	ME1815.035	Allen Screw	10.19	ME2010.209	Set of Gaskets IP140	379.38
ME1812.002	Air Valve (D70-105)	8.48	ME1815.036	Bolt for Z0049 PTO Adaptor	12.41	ME2010.210	Gasket Kit Desmopan D70	150.33
ME1812.003	Air Valve (M-IP Series)	14.29	ME1815.042	Use 1814.018	0.00	ME2010.211	Gasket Kit D105 Desmopan	186.69
ME1813.001	Hexagonal Screw	0.62	ME1815.045	Bolt for R/V (M Series)	2.19	ME2010.212	Desmopan Gasket Kit (D174)	295.80
ME1813.002	Hexagonal Screw	0.62	ME1815.046	Allen Screw	1.21	ME2010.214	Desmopan Service Kit (M85)	223.07
ME1813.005	Hexagonal Screw	0.98	ME1815.047	Allen Screw	10.91	ME2010.222	Service Kit for M73	206.10
ME1813.006	Hexagonal Screw Hobby-Mini	0.98	ME1816.001	Bracket Stud Bolt	2.42	ME2010.223	Set of Gaskets Desm. M30/50	133.35
ME1813.007	Hex. Screw (M-IP Series)	0.98	ME1816.003	Bracket Stud Bolt	4.37	ME2010.224	Gasket Kit for M104	247.31
ME1813.008	Hexagonal Screw	0.98	ME1816.007	Screw	1.21	ME2010.225	Gasket Kit M135 Desmopan	293.38
ME1813.009	Bolt (Mini-M30)	1.71	ME1817.001	Stud Bolt (D70-105)	15.76	ME2010.226	Gasket Kit for D245	349.14
ME1813.010	Hexagonal Screw	3.40	ME1817.002	Wrong Use 1817.020	0.81	ME2010.402	Kit for P246-123	71.04
ME1813.011	Hexagonal Screw	1.71	ME1817.003	Stud Bolt	2.42	ME2011.001	Complete Oil Fill MV Series	33.22
ME1813.012	Hexagonal Screw	1.71	ME1817.004	Stud Bolt	1.86	ME2011.002	Complete Oil Fill	116.86
ME1813.013	Hexagonal Screw (Hobby)	1.71	ME1817.007	Stud Bolt	4.13	ME2011.003	Complete Oil Fill	75.02
ME1813.014	Hexagonal Screw (Mini)	1.94	ME1817.011	Stud Bolt	10.31	ME2011.004	Complete Oil Fill M70/85	61.34
ME1813.015	Hexagonal Screw	2.66	ME1817.020	Stud	0.69	ME2012.001	Piston Sleeve Kit (P93)	139.41
ME1813.016	Hexagonal Screw	7.27	ME1817.028	Oil Fill Screw D174	9.70	ME2012.002	Piston Kit for P246	167.30
ME1813.017	Hexagonal Screw	2.92	ME1818.001	Knipping Screw	1.71	ME2012.004	Brass Ring Set	110.32
ME1813.019	Hexagonal Screw	4.13	ME20.001	Gasket Ring	6.04	ME2013.001	Complete Check Valve	4.22
ME1813.020	Hexagonal Screw	4.37	ME20.002	Gasket Ring for P93	6.04	ME2013.002	Complete Check Valve	40.01
ME1813.022	Dia. Bolt (N-D Series)	4.37	ME20.003	Spacer Ring P93/186	6.30	ME2013.003	Complete Check Valve	60.62
ME1813.025	Bolt - B/S Gearbox MV30/40	2.92	ME20.004	Gasket Ring P123/246	6.30	ME2013.004	Wrong # Use 2013.011	7.34
ME1813.026	Hex Screw P Series	8.48	ME2009.001	Complete Piston	84.87	ME2013.005	Check Valve for P Series	32.01
ME1814.001	Hex Screw	1.21	ME200F	1-3/8" Female PTO	156.78	ME2013.007	Wrong # Use 2013.010	0.00
ME1814.002	Hexagonal Screw	1.45	ME200M	1-3/8" Male Spline Shaft	74.01	ME2013.008	Check Valve (Mini)	10.91
ME1814.004	Hexagonal Screw	1.94	ME201.001	Pump Housing	138.20	ME2013.009	Check Valve (M130+D171)	31.03
ME1814.005	Hexagonal Screw	2.19	ME201.004	Pump Housing (MV40)	133.35	ME2013.010	Check Valve (M Series)	24.24
ME1814.006	Hexagonal Screw	1.94	ME201.007	Pump Housing (Mini)	87.29	ME2013.011	Check Valve Assy. (D-IP)	31.03
ME1814.007	Hexagonal Screw	2.19	ME201.010	Pump Housing MV65	184.27	ME2013.501	Check Valve (Hobby)	11.40
ME1814.008	Hexagonal Screw	2.42	ME201.014	Pump Housing	632.83	ME2013.505	Check Valve Kit (P Series)	33.95
ME1814.009	Hexagonal Screw	2.66	ME201.017	Pump Housing	412.18	ME2013.508	Check Valve Assy. (Mini)	10.70
ME1814.010	Hex Screw	2.66	ME201.026	Pump Housing	480.07	ME2013.509	Check Valve Kit (M55)	33.46
ME1814.012	Hexagonal Screw (MV40)	3.40	ME201.027	Pump Housing (IP140)	463.10	ME2013.510	Check Valve Kit (M Series)	29.10
ME1814.013	Hexagonal Screw	5.34	ME201.029	Pump Housing (D105)	155.18	ME2013.514	Check Valve Kit (P93)	21.10
ME1814.014	Hexagonal Screw	5.58	ME201.030	Pump Housing (D70)	111.53	ME2014.001	Pressure R/V Hobby	58.19
ME1814.015	Hexagonal Screw	5.82	ME201.032	Pump Housing (Hobby)	75.16	ME2014.002	P.R. Valve Assy. (Mini)	124.87
ME1814.016	Hexagonal Screw	5.34	ME201.033	Pump Housing	618.28	ME2014.003	Complete Relief Valve	152.75
ME1814.018	Hexagonal Screw	8.48	ME201.034	Pump Housing for P246	1697.23	ME2014.004	Complete Relief Valve (MV)	152.75
ME1814.020	Hexagonal Screw	1.58	ME201.035	Pump Housing	509.17	ME2014.005	Complete Pressure	169.72
ME1814.029	Hexagonal Screw	2.92	ME201.036	Pump Housing M85	412.18	ME2014.006	R/V for IP100 & M85	281.26
ME1814.033	Bolt	2.66	ME201.038	Pump Housing D171	273.98	ME2014.007	Complete Pressure	500.15
ME1815.001	Allen Screw	0.48	ME201.041	Pump Housing M70	315.21	ME2014.008	Complete Pressure	139.34
ME1815.003	Allen Screw	0.62	ME201.042	Pump Housing M30	179.42	ME2014.009	Pressure R/V for P246	298.23
ME1815.004	Allen Screw	0.98	ME201.043	Pump Housing M50	184.27	ME2014.011	Complete Pressure	500.15
ME1815.005	Allen Screw (M-IP-P Series)	2.42	ME2010.001	Wrong # Use 2010.201	43.65	ME2014.030	Wrong # Use 2605.012	0.00
ME1815.006	Allen Screw (M+CD6)	1.09	ME2010.002	Gasket Kit Mini Black Dial.	50.92	ME2015.001	Complete Safety Valve	29.10
ME1815.007	Allen Screw (Mini-D245)	1.09	ME2010.003	Set of Gaskets	93.35	ME202.001	Acc. Head Dia. (IP Series)	17.46
ME1815.008	Allen Screw	1.21	ME2010.004	Set of Gaskets	121.23	ME202.002	Acc. Head Dia. (Mini)	6.79

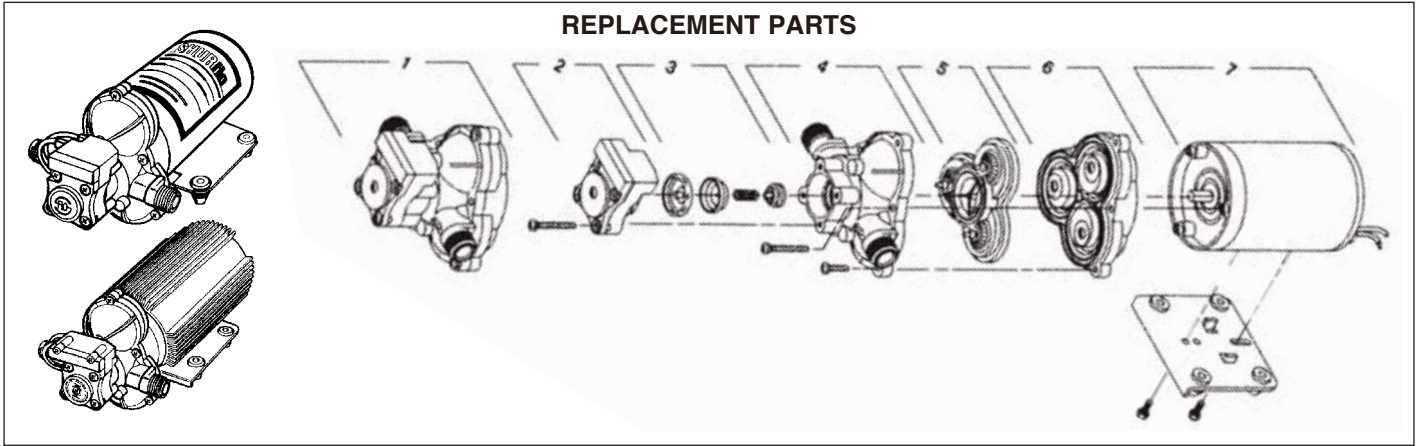
Stock No.	Description	Price Ea.	Stock No.	Description	Price Ea.	Stock No.	Description	Price Ea.
ME202.003	Accumulator Head Diaphragm	25.45	ME211.007	R/V Body for CD6	75.16	ME2606.015	Relief Valve - No Gauge	299.98
ME202.004	Acc. Dia. (M104)	15.04	ME213.006	Pump Body Cover (P123)	82.43	ME2606.019	Relief Valve 4 Disch. CD 7	428.87
ME202.005	Accumulator Base Diaphragm	24.67	ME213.007	Housing Cover	230.34	ME2606.046	3-way Remote Control CD10	334.48
ME202.006	Acc. Base Dia. (MV30-40)	12.12	ME214.007	Delivery Manifold	424.31	ME2606.047	CDR Control	731.21
ME202.008	Not Available	50.58	ME216.001	Discharge Manifold	87.29	ME2606.049	2-way Remote Control Mini	230.76
ME202.009	Acc. Dia. (Hobby)	6.06	ME216.002	Discharge Manifold	87.29	ME27.001	Shoulder Ring (D70-D105)	13.57
ME202.010	Acc. Head Dia. (MV Series)	27.89	ME216.003	Discharge Manifold (M-IP)	58.19	ME27.002	Shoulder Ring	2.06
ME202.011	Acc. Dia. Desmopan D70-105	32.15	ME216.004	Discharge Manifold (P246)	69.10	ME27.004	Shoulder Ring	10.91
ME202.013	Acc. Dia. Desmopan (IP-D)	32.01	ME217.003	Oil Fill Cap	30.31	ME27.005	Shoulder Ring	41.22
ME202.014	Accumulator Dia. (M Series)	18.18	ME219.002	Small Cylinder Old Style	92.14	ME27.006	Shoulder Ring	38.80
ME203.001	Clamp	6.68	ME220.001	Gearbox Housing - Hobby	110.32	ME27.007	Shoulder Ring (D70-D105)	16.97
ME203.002	Clamp	52.61	ME221.003	Gearbox Housing	96.99	ME27.008	Shoulder Ring	33.22
ME203.003	Clamp (IP)	47.28	ME221.004	Inner Gear Housing (M30)	123.65	ME27.010	Spacer Washer M70	25.45
ME203.004	Clamp	7.27	ME227.001	Suction Dampener Body	10.19	ME27.013	Spacer Washer M30	12.85
ME203.005	Clamp	19.89	ME227.002	Suc. Dampener Body (MV40)	10.19	ME27.014	Spacer Washer M50	12.85
ME203.009	U-Pin (M70)	12.12	ME234.005	Bearing Cover (D70-105)	25.45	ME28.001	Spacer Ring (2014.009)	7.27
ME204.002	Pressure Relief Valve Body	87.77	ME234.008	Bearing Cover	23.03	ME29.001	Control Rod	42.92
ME204.004	Pressure Relief Valve Body	47.88	ME234.009	Bearing Cover	36.37	ME30.001	Acc. Head	72.02
ME204.007	Relief Valve Body (Mini)	37.59	ME234.010	Bearing Cover	24.67	ME30.002	Accumulator Head (MV50-65)	114.19
ME204.008	Relief Valve Body 2014.003	53.34	ME237.001	Dis. Manifold for M104-135	67.89	ME30.003	Accumulator Head (Mini)	51.65
ME204.012	P/R Valve Body (Hobby)	23.03	ME239.001	Suc. Manifold Cover D70-105	23.03	ME30.004	Pressure Accumulator Head	13.34
ME204.013	Pressure Relief Valve Body	56.06	ME239.002	Inspection Cover (M73)	78.80	ME30.005	Acc. Head M104	34.43
ME204.014	Head for R/V	15.27	ME240.001	Filter Cover	28.58	ME30.007	Use 30.010	23.91
ME204.016	Flange for CD2 R/V	61.83	ME241.001	Opening Cam	53.34	ME30.008	Accumulator Head (D70-105)	78.08
ME205.001	Suction Manifold	23.03	ME242.001	Distributor Body	164.34	ME30.009	Pressure Accumulator Head	31.28
ME205.004	Suction Manifold (MV65)	208.52	ME243.001	Ball Housing	66.68	ME30.010	Accumulated Head M30/50/70	56.98
ME205.005	Suction Manifold (MV40)	147.91	ME244.001	Ball Valve Body	35.73	ME3001.002	Electric Motor for Hobby	0.00
ME205.007	Suc. Manifold Mini	116.38	ME246.001	Valve Cover (P123-246)	52.13	ME303.001	Spacer	7.15
ME205.018	Suction Manifold	289.37	ME246.002	Valve Cover (P93-186)	47.28	ME303.004	Head Spacer	61.83
ME205.024	Suction Manifold (D105)	90.93	ME246.003	Check Valve Manifold M70	38.19	ME303.005	Return Washer Spacer	2.19
ME205.025	Suction Manifold (D70)	72.74	ME246.004	Suction Manifold (M30-50)	46.07	ME303.006	Suction Pipe Spacer	14.55
ME205-246	Complete Suction Manifold	0.00	ME246.005	C/V Manifold (M30-50)	41.22	ME303.007	Delivery Pipe Spacer	8.48
ME206.001	Filter Body	33.47	ME247.001	Split Pin	1.80	ME303.010	Spacer for D171	26.68
ME207.001	Cylinder	44.86	ME248.003	Ball Bearing (IP Series)	278.83	ME303.017	Manifold Spacer for P246	5.58
ME207.006	Cylinder	133.35	ME248.004	Ball Bearing (D70-105)	36.37	ME31.002	Valve Rod	84.87
ME207.008	Cylinder for Mini	42.43	ME248.005	Ball Bearing	23.24	ME31.005	Substitute (31.006)	2.92
ME207.011	Cylinder (D171)	107.90	ME248.006	Ball Bearing (Hobby-Mini)	14.55	ME31.006	Valve Rod (CD5)	6.06
ME207.015	Cylinder (MV30)	80.01	ME248.008	Ball Bearing (D70-105)	31.52	ME311.001	Spring Nut	7.27
ME207.016	Cylinder (MV40)	80.01	ME248.009	Ball Bearing	46.07	ME314.001	Valve Blocking Nut	8.00
ME207.022	Cylinder	114.33	ME248.010	Ball Bearing (Mini-M30)	20.61	ME318.001	Selector Disc	14.55
ME207.025	Cylinder	109.11	ME248.012	Ball Bearing (MV65)	29.10	ME32.002	Drive Shaft (D245)	234.90
ME207.027	Cylinder (MV65)	109.11	ME248.014	Ball Bearing	38.80	ME32.003	Crankshaft	254.58
ME207.031	Cylinder	118.81	ME248.025	Bearing for Crankshaft	80.01	ME32.010	Crankshaft MV40	290.95
ME207.032	Cylinder	118.81	ME248.026	Bearing for Crankshaft	115.17	ME32.011	Crankshaft	412.18
ME207.033	Cylinder (IP100)	101.11	ME249.001	Roller Bearing (Hobby)	17.46	ME32.012	Crankshaft (Mini)	93.35
ME207.034	Cylinder D70-105	78.80	ME249.002	Roller Bearing	28.58	ME32.018	Crankshaft (MV40) n/a	150.33
ME207.035	Cylinder Hobby	38.80	ME249.003	Roller Bearing (MV30-40)	21.82	ME32.019	Crankshaft MV30	150.33
ME207.036	Cylinder M85	42.43	ME249.004	Roller Bearing (MV30-40)	100.62	ME32.029	Crankshaft	414.61
ME207.037	Cylinder	155.18	ME249.005	Roller Bearing	150.33	ME32.040	Crankshaft	387.94
ME207.039	Piston Sleeve M70	67.89	ME249.006	Roller Bearing	160.78	ME32.042	Crankshaft	387.94
ME207.040	Piston Sleeve M30	67.89	ME249.007	Roller Bearing (IP100-140)	363.69	ME32.043	Crankshaft (IP100)	363.69
ME207.041	Piston Sleeve M50	70.31	ME249.008	Roller Bearing (D70-105)	55.77	ME32.044	Crankshaft (D70-105)	201.25
ME208.001	Check Valve Cage	21.82	ME249.009	Roller Bearing (D Series)	63.04	ME32.045	Crankshaft (70-105)	280.34
ME208.003	Check Valve Cage	1.67	ME249.010	Needle Bearing M30	43.65	ME32.046	Crankshaft	339.39
ME208.007	Check Valve Cage	29.10	ME249.011	Roller Bearing	214.36	ME32.047	Crankshaft	339.39
ME208.016	Check Valve Cage	7.48	ME249.012	Roller Bearing	35.73	ME32.048	Crankshaft Hobby	72.74
ME208.017	Check Valve Cage D171	7.27	ME249.013	Needle Bearing M30	43.65	ME32.051	Crankshaft	843.77
ME208.018	Check Valve Cage (Hobby)	4.85	ME250.001	Roller Bearing	157.60	ME32.052	Crankshaft (D170)	392.79
ME208.019	Check Valve Cage "P" Series	6.55	ME250.002	Roller Bearing for P93	96.99	ME32.056	Crankshaft	223.07
ME208.020	Check Valve Cage	0.00	ME25410001	Needle Bearing	32.49	ME32.057	Crankshaft M85	375.32
ME208.021	Check Valve Cage	6.55	ME26015001	Crankshaft Seal	18.07	ME32.059	Crankshaft D171	315.21
ME208.022	Check Valve Cage	7.27	ME2605.008	R/V for P186/246	319.64	ME32.063	Drive Shaft (M70)	378.65
ME2101.003	Kit f or CD6	37.59	ME2605.010	R/V for M104/135 P93/123	267.88	ME32.067	Tapered Eccentric Shaft M30	135.78
ME211.002	Relief Valve Body IP	67.89	ME2605.012	Relief Valve (M30-50 Mini)	169.83	ME32.068	Crankshaft for M50 Taper	162.40
ME211.004	Relief Valve Body	107.17	ME2605.014	Relief Valve for P63	165.06	ME321.001	Hexagonal Nut (Mini)	0.24
ME211.005	Relief Valve Body (CD6)	63.04	ME2605.020	1-way Control Assy. Mini	154.39	ME321.002	Hexagonal Nut	0.36
ME211.006	Relief Valve Body (Mini)	20.33	ME2606.009	Remote R/V for P246	383.00	ME321.003	Hexagonal Nut	0.48



Stock No.	Description	Price Ea.	Stock No.	Description	Price Ea.	Stock No.	Description	Price Ea.
ME321.004	Hexagonal Nut	2.19	ME510.003	Clamp	7.27	ME609.016	Hose Tail Nut	1.79
ME321.006	Hexagonal Nut (D70-105)	0.62	ME510.005	Clamp	7.27	ME609.017	Hose Tail Nut	36.37
ME321.007	Hexagonal Nut	8.94	ME510.006	SS Clamp for Dampener	7.27	ME609.018	Hose Tail Nut	0.00
ME321.008	Hexagonal Nut	1.34	ME511.001	Pressure Valve Flange	43.65	ME609.019	Hose Tail Nut	10.71
ME321.011	Hexagonal Nut	3.64	ME511.002	Flange for Mini R/V	58.19	ME609.020	Hose Tail Nut	3.56
ME321.015	Hexagonal Nut	25.36	ME512.001	Piston Ring (MV40)	8.48	ME609.022	2" Flynut (D245)	12.85
ME321.017	Hex. Nut (CD6)	0.36	ME512.002	Piston Ring (M135)	8.48	ME613.002	Elbow	21.82
ME34.001	Coupling Ring	43.65	ME512.003	Piston Ring (M+IP Series)	9.70	ME613.003	Male x Female Elbow P246	26.68
ME34.003	Coupling Ring	56.96	ME512.005	Piston Ring M70	8.48	ME613.004	Elbow (IP100)	42.43
ME34.006	Coupling Ring (MV65)	36.37	ME513.001	Cartridge Filter	32.15	ME623.001	Roller Cage Bearing	26.31
ME34.007	Coupling Ring	40.01	ME601.002	Gasket (IP Series)	37.59	ME627.001	O-Ring (CD3)	0.48
ME34.008	Coupling Ring (D70-D105)	24.24	ME601.006	Gasket for P93-186	30.31	ME627.002	O-Ring	0.48
ME34.009	Coupling Ring (M-D-P)	30.31	ME602.002	Hexagonal Screw Gasket	1.21	ME627.003	O-Ring (D70-105)	0.35
ME34.011	Lock Ring M70	25.45	ME602.003	Lock (P Series)	1.71	ME627.004	O-Ring (MV Series)	1.09
ME35.001	Pressure Accumulator Base	22.25	ME603.001	Bearing Cover Gasket (Mini)	0.85	ME627.005	O-Ring (Hobby-IP Series)	1.21
ME35.002	Accumulator Base for M85	116.38	ME603.002	Bearing Support Gasket	1.94	ME627.006	Use #627.018	1.10
ME35.004	Pressure Accumulator Base	240.04	ME603.004	Oil Fill Base Gasket	2.42	ME627.007	O-Ring	1.09
ME35.005	Accumulator Base (70-105)	94.55	ME603.005	Cylinder Gasket	4.37	ME627.008	O-Ring (P Series)	1.45
ME35.006	Accumulator Base (M70)	77.58	ME603.006	Pressure R/V Gasket (Mini)	0.48	ME627.009	O-Ring	1.71
ME35.007	Accumulator Base IP Series	126.08	ME603.007	Body Gasket (MV Series)	0.85	ME627.010	O-Ring	1.80
ME35.022	Accumulator Base for M85	0.00	ME603.008	Oil Fill Cap Gasket	1.94	ME627.011	O-Ring (Hobby)	0.73
ME37.002	Seal (MV Series)	10.19	ME603.009	Cover Gasket	5.34	ME627.013	O-Ring (Hobby)	0.98
ME38.001	Gasket for R/V	1.09	ME603.010	Use #1605.023 Discontinued	2.48	ME627.014	O-Ring for R/V	0.98
ME39.001	Stop Ring (MV Series)	0.24	ME603.011	Bearing Support Gasket IP	3.40	ME627.015	O-Ring	1.09
ME39.002	Stop Ring Not Available	0.62	ME603.012	Bearing Cover Gasket (M+D)	1.21	ME627.016	O-Ring for R/V	2.66
ME39.003	Circlip	0.62	ME603.013	Head Gasket	4.61	ME627.017	O-Ring (M-D-P)	1.45
ME39.004	Stop Ring (M-D)	0.85	ME603.014	R/V Gasket (Mini)	0.48	ME627.018	O-Ring (M-IP-D)	1.45
ME39.005	Stop Ring Hobby	3.40	ME603.015	P.V. Valve Gasket (Mini)	0.48	ME627.019	O-Ring (Mini)	1.94
ME39.006	Stop Ring	2.19	ME603.016	Gasket for D171	1.94	ME627.020	O-Ring (M-P-D Series0	1.94
ME39.007	Stop Ring	4.37	ME603.017	Gearbox Housing Gasket	3.15	ME627.021	O-Ring	2.42
ME39.008	Stop Ring	4.85	ME603.019	Gearbox Housing Gasket	0.18	ME627.022	O-Ring (D70-105)	2.92
ME39.009	Stop Ring	4.13	ME603.022	Gasket	8.72	ME627.023	O-Ring (P Series)	3.64
ME40.001	Shim Ring	3.40	ME603.024	Cover Gasket (P246)	5.57	ME627.024	O-Ring (P Series)	5.58
ME40.002	Shim Ring	3.64	ME603.025	Cover Plate Gasket P63	11.40	ME627.025	O-Ring (M-P Series)	6.06
ME40.003	Shim Ring	3.87	ME603.026	Cover Plate Gasket P186	21.82	ME627.026	O-Ring	1.94
ME40.004	Shim Ring for P93	2.42	ME603.027	Gasket Inspection Cover M73	3.56	ME627.027	O-Ring (M Series)	3.64
ME40.005	Shim Ring for P93	2.42	ME603.028	Gasket for M30/50 Gearbox	1.94	ME627.028	O-Ring	4.13
ME40.006	Shim Ring	2.66	ME603.029	Gasket for CD6 Plug	0.62	ME627.029	O-Ring (M-IP-P Series)	4.85
ME402.001	Rod End (Micro)	12.52	ME604.001	Check Valve Gasket (MV40)	1.94	ME627.030	O-Ring (Mini)	8.25
ME402.002	Rod End	8.94	ME604.002	Valve Gasket	2.42	ME627.032	O-Ring (M-P Series)	12.12
ME41.001	Shaft Seal (Hobby)	8.98	ME604.004	Check Valve Gasket (D-IP)	2.92	ME627.033	O-Ring	13.10
ME41.002	Shaft Seal (Hobby)	9.46	ME604.006	Check Valve Gasket (Mini)	0.62	ME627.034	O-Ring	13.10
ME41.003	Shaft Seal (Mini)	14.06	ME604.007	Gasket (M+IP Series)	2.42	ME627.036	O-Ring	1.21
ME41.007	Shaft Seal (D70-D105)	11.64	ME604.008	Gasket (P-D171)	1.71	ME627.037	O-Ring (Mini-P Series)	1.45
ME41.008	Shaft Seal (M-P-D Series)	11.88	ME604.009	1" O Ring for Hosetail	1.09	ME627.038	O-Ring (Mini-Hobby)	1.45
ME41.009	Shaft Seal (P93-246)	15.99	ME604.010	Gasket	3.15	ME627.039	O-Ring (MV Series)	2.92
ME41.011	Shaft Seal	11.64	ME604.011	Gasket	3.15	ME627.040	O-Ring (M104-135)	2.42
ME41.013	Pump Seal (P93)	14.64	ME604.013	Fair-lead Gasket	4.85	ME627.041	O-Ring (D171-M130)	4.13
ME41.015	Shaft Seal	17.95	ME604.014	Fair-lead Gasket	6.30	ME627.042	O-Ring (D70-105)	14.31
ME41.022	Shaft Seal	14.06	ME604.015	Breather Gasket	16.25	ME627.043	O-Ring (MV)	15.04
ME42.001	Front Ring	18.96	ME604.016	Check Valve Gasket M Series	1.71	ME627.044	O-Ring	20.61
ME42.002	Front Ring for P93	16.75	ME604.017	Gasket	3.40	ME627.045	O-Ring	5.34
ME42.003	Front Ring (P123/246)	8.25	ME604.018	Gasket for M30/50 R/V	3.15	ME627.046	O-Ring	6.30
ME42.004	Front Ring P93/123	9.93	ME605.001	Coupling for Mini	164.88	ME627.047	O-Ring (IP Series)	1.45
ME43.001	Middle Ring	63.04	ME609.001	Flynut	7.84	ME627.048	O-Ring	3.40
ME43.002	Middle Ring for P93-186	51.40	ME609.002	Hose Tail Nut	3.40	ME627.049	O-Ring	4.85
ME44.001	Back Ring	58.19	ME609.003	Hose Tail Nut	6.06	ME627.052	O-Ring for R/V	1.71
ME44.002	Back Ring for P93-186	48.16	ME609.004	Hose Tail Nut	3.37	ME627.053	"O" Ring	6.79
ME501.001	Discharge Flange	55.77	ME609.005	3/4" Brass Flynut	6.55	ME627.054	O-Ring	5.37
ME502.001	Fork	6.79	ME609.006	1/2" Flynut (M-IP-P-D)	6.06	ME627.055	O-Ring	8.94
ME503.001	Stop Flange	22.13	ME609.007	Hose Tail Nut	6.06	ME627.056	O-Ring	4.37
ME503.002	Ball Valve Flange	44.66	ME609.008	Flynut (M-IP-P Series)	12.12	ME627.058	O-Ring (D-M30)	2.92
ME504.001	Flange B&S Mini	77.58	ME609.011	2" Brass Flynut (IP Series)	17.46	ME627.059	O Ring M70	1.65
ME504.002	Flange B&S Mini	77.58	ME609.012	1" Flynut (D Series0	6.55	ME627.060	O ring Inspection Cover	19.39
ME509.001	n/a Part of 1605.023	21.52	ME609.013	1.25" Flynut (M-D Series)	11.40	ME627.061	O Ring (B&S Gearbox)	4.13
ME510.001	Clamp (D70)	8.48	ME609.014	1-3/4" Flynut	12.61	ME627.064	O Ring	1.45
ME510.002	Clamp	21.82	ME609.015	Hose Tail Nut	1.45	ME627.065	O Ring for R/V	0.85



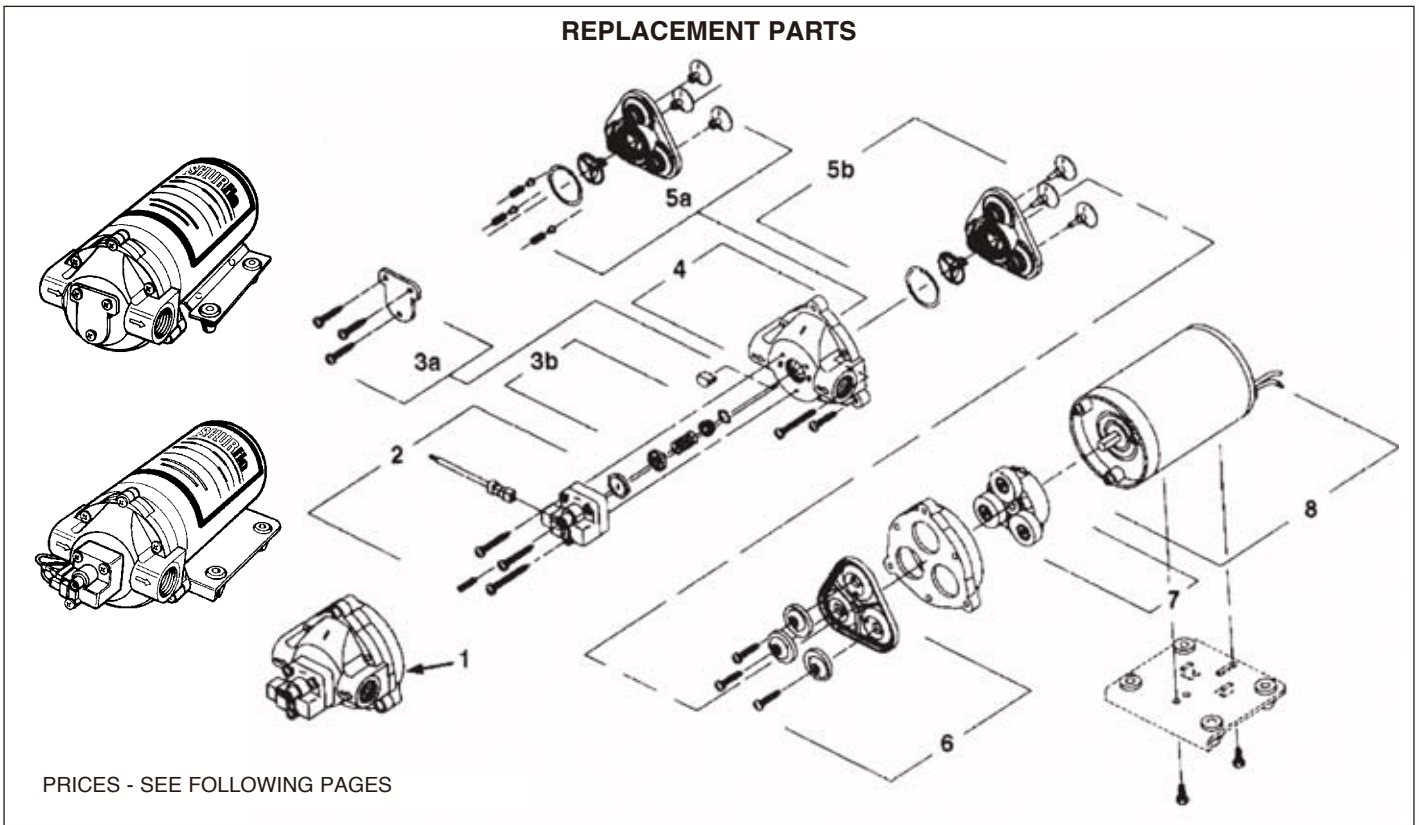
Stock No.	Description	Price Ea.	Stock No.	Description	Price Ea.	Stock No.	Description	Price Ea.
ME627.068	O Ring for Screw	0.44	ME901.009	Pressure R/V Spring CD 4	21.44	ME904.010	Black Dia. n/a	24.24
ME627.072	O Ring (Mini-M Series)	2.92	ME901.010	Pressure R/V Spring	14.55	ME904.011	wrong # use 904.029	17.36
ME627.074	O Ring (M104 Acc.)	4.13	ME901.012	Spring for R/V	5.34	ME904.012	Suction Dampener D70	6.05
ME627.076	"O" Ring	1.21	ME901.017	Spring for R/V	7.27	ME904.014	Pressure R/V Diaphragm	13.19
ME627.077	O Ring for (M104-135)	1.09	ME902.001	Valve Spring MV30	1.94	ME904.015	Dia M130	29.82
ME627.083	O Ring for (M104-135)	8.72	ME902.002	Valve Spring Micro	1.71	ME904.016	Desmopan Diaphragm Hobby	17.22
ME627.086	O Ring for M104-135	14.31	ME902.004	Suction & Delivery	0.23	ME904.017	Dia. Desmopan for Micro/MV	26.18
ME627.088	O Ring	1.21	ME902.005	Valve Spring Mini	4.85	ME904.018	Desmopan Dia. (D171-MV65)	35.16
ME701.001	Oil Funnel	37.52	ME902.008	Check Valve Spring (IP)	1.44	ME904.019	Dia. Desmopan for IP Series	50.92
ME702.001	Level Plug (IP100-140)	7.77	ME902.009	Check Valve Spring (Hobby)	0.73	ME904.020	Desmopan Diaphragm D70-105	31.52
ME702.002	Sight Glass (MV40 Gearbox)	5.58	ME902.010	Check Valve Spring (P)	2.66	ME904.021	Dia. Desmopan for Mini	26.68
ME801.001	Lever	3.56	ME902.011	Check Valve Spring P Series	1.21	ME904.022	Desmopan Dia. (M Series)	33.95
ME801.002	Lever	19.51	ME903.001	Return Spring (MV Series)	4.13	ME904.024	sub. 904.012	15.81
ME801.003	Lever	17.86	ME903.003	Return Spring	8.72	ME904.025	Dia. for R/V (M Series)	8.48
ME801.005	Lever (Mini)	13.33	ME903.304	Retaining Spring	8.98	ME904.026	Dia. for CD 7 R/V	18.67
ME801.006	Lever (MV Relief Valve)	19.39	ME903.005	Retaining Spring	3.15	ME904.029	Dia. for Pressure R/V	41.22
ME801.007	Lever for Hobby R/V	5.34	ME903.008	Ball Spring	2.19	ME904.036	Diaphragm (D174/245)	20.12
ME801.008	Lever	21.44	ME903.009	Return Spring	11.15	ME917.001	Handknob	4.68
ME801.009	Lever	13.33	ME903.010	Selector Ball Spring	8.00	ME917.002	Handknob	5.01
ME801.011	Lever for CD6 R/V	6.79	ME903.014	Ball Valve Spring	8.94	ME923.001	Motorpump Handle (hobby)	14.06
ME801.012	Lever for CD7	13.33	ME904.001	Oil Fill Dia. (M-D171)	3.40	ME923.002	Motorpump Handle (mini)	14.06
ME802.001	Tab Key	2.42	ME904.002	Oil Fill Dia. (Mini)	1.94	ME923.003	Motorpump Handle	14.06
ME802.002	Woodrif Key	1.71	ME904.003	Dia. Buna (Hobby)	8.72	MEHobby.4	Motor Fan for Hobby E	0.00
ME802.006	Key	2.92	ME904.004	Black Dia. (Mini)	11.15	MEPULLEY	12 1/2" Double V Groove	0.00
ME802.008	Woodruft Key	3.76	ME904.005	Black Dia. (MV-Micro)	15.76	MEZ0184	2 Grove Pulley for M50	141.24
ME901.002	Pressure Relief	7.77	ME904.006	Pump Diaphragm	16.49	MEZ0360	B&S Gear Box for Mini	417.84
ME901.003	Pressure R/V Spring MV	12.12	ME904.007	use 904.036	20.12	MEZ0363	Briggs + Stratton GB Hobby	0.00
ME901.004	Pressure R/V Spring IP	16.49	ME904.008	Diaphragm (M Series)	17.70	MEZ0386	Gear Box for M30RVBS	438.06
ME901.007	Pressure R/V Spring Mini	2.92	ME904.009	Dia. for IP100	32.74	MEZ0737	Briggs + Stratton Gearbox M50	579.58
						MEZ9055	Gear Box 1:6	1280.47



Code 4 **A**

MODEL NUMBER	1 COMPLETE PUMPHEAD ASSEMBLY	2 SWITCH ASSEMBLY	3 CHECK VALVE ASSEMBLY	4 UPPER HOUSING	5 BY-PASS/ NON BY-PASS VALVE ASSEMBLY	6 DRIVE/IMPELLER DIAPHRAGM ASSEMBLY	7 MOTOR	NEW PUMP COST
2088-313-145	94-236-15	94-230-55	94-237-05	94-231-30	94-232-05	94-238-03	11-185-06	\$315.43
2088-343-135	94-236-11	94-230-36	94-237-05	94-231-30	94-232-05	94-238-03	11-111-00	190.75
2088-343-170	N/A	N/A	N/A	21-399-00	94-232-05	94-238-03	11-174-01	237.04
2088-343-500	N/A	N/A	N/A	21-399-00	94-232-05	94-238-03	11-111-00	186.16
2088-394-144	N/A	94-230-36	94-237-05	94-231-30	94-232-05	94-238-03	11-195-01	297.15
2088-394-154	94-236-11	94-230-36	94-237-05	94-231-30	94-232-05	94-238-03	11-150-10	269.82
2088-414-534	94-236-14	94-230-35	94-237-00	94-231-30	94-232-00	94-238-03	84-008-01	322.26
2088-443-144	94-236-14	94-230-35	94-237-00	94-231-30	94-232-00	94-238-03	11-111-00	169.41
2088-474-144	94-236-08	94-230-35	94-237-00	94-231-30	94-232-00	94-238-03	11-187-00	176.59
2088-514-145	94-236-14	94-230-35	94-237-00	94-231-30	94-232-00	94-238-03	11-185-06	268.29
2088-514-144	N/A	94-230-35	94-237-00	94-231-30	94-232-00	94-238-03	11-226-06	274.96
2088-574-534	94-236-14	94-230-35	94-237-00	94-231-30	94-232-00	94-238-03	84-008-11	323.96
2088-594-154	94-236-14	94-230-35	94-237-00	94-231-30	94-232-00	94-238-03	11-150-10	224.06

**SHURflo** SERIES 8000 PUMPS



PRICES - SEE FOLLOWING PAGES