

REPLACEMENT PARTS

FOR PARTS PRICES SEE NEXT PAGE.

Code 4 **A**

MODEL NUMBER	1 COMPLETE PUMP HEAD ASSEMBLY	2 SWITCH ASSEMBLY	3a/3b CHECK VALVE ASSEMBLY	4 UPPER HOUSING	5a/5b BY-PASS/ NON BY-PASS VALVE ASSEMBLY	6 DIAPHRAGM ASSEMBLY	7 DRIVE/ IMPELLER ASSEMBLY	8 MOTOR	NEW PUMP COST
8000-033-236	94-380-05	94-375-05	94-374-10	94-379-00	94-390-05	94-395-06	94-385-04	11-150-00	\$269.14
8000-343-236	94-380-05	94-375-05	94-374-10	94-379-00	94-390-05	94-395-05	94-385-04	11-111-00	209.38
8000-443-136	N/A	94-375-06	94-374-16	94-378-01	94-390-08	94-395-06	94-238-03	11-111-00	147.72
8000-533-236	94-380-02	94-375-05	94-374-10	94-379-00	94-390-05	94-395-06	94-385-03	11-150-00	219.28
8000-533-250	94-382-09	N/A	N/A	94-379-00	94-391-09	94-395-06	94-385-03	11-150-00	208.70
8000-541-236	N/A	94-375-06	94-374-05	94-379-00	94-390-05	94-395-06	94-385-30	11-148-04	142.60
8000-542-136	N/A	94-375-05	94-374-05	94-378-00	94-390-05	94-395-06	94-385-04	11-111-00	160.01
8000-542-296	N/A	94-375-05	94-374-05	94-379-00	94-391-07	94-395-06	94-385-04	11-111-00	176.76
8000-543-136	N/A	94-375-06	94-374-05	94-378-00	94-390-05	94-395-06	94-385-03	11-111-00	160.01
8000-543-236	94-380-02	94-375-06	94-374-05	94-379-00	94-390-05	94-395-06	94-385-03	11-111-00	160.01
8000-543-238	94-380-28	94-375-18	94-374-05	94-379-00	94-390-05	94-395-06	94-385-03	11-111-00	166.51
8000-543-250	94-382-09	N/A	N/A	94-379-00	94-391-09	94-395-06	94-385-03	11-111-00	155.75
8000-543-290	N/A	N/A	N/A	94-379-00	94-390-05	94-395-06	94-385-03	11-111-00	161.38
8000-543-936	94-380-02	94-375-06	94-374-05	94-379-00	94-390-05	94-395-06	94-385-03	11-111-04	163.26
8000-643-236	N/A	94-375-04	N/A	94-379-00	94-390-10	94-395-10	94-385-03	11-111-00	178.81
8000-712-288	94-382-38	94-375-15	94-374-10	94-379-01	94-391-26	94-395-06	94-385-31	11-150-10	251.73
8000-713-238	94-380-17	94-375-18	94-374-09	94-379-01	94-390-06	94-395-16	94-385-03	11-150-10	227.99
8000-812-639	N/A	N/A	N/A	94-379-01	94-390-15	94-395-16	94-385-04	11-150-10	257.02
8000-812-280	94-382-43	N/A	94-374-10	94-379-01	94-391-25	94-395-16	94-385-30	11-150-10	240.62
8000-812-288	94-382-02	94-375-15	94-374-10	94-379-01	94-391-25	94-395-16	94-385-04	11-150-10	251.90
8000-813-238	94-380-28	94-375-15	94-374-10	94-379-01	94-390-15	94-395-16	94-385-03	11-150-10	242.50
8000-912-280	94-382-24	94-375-18	94-374-09	94-379-01	94-391-26	94-395-16	94-385-04	11-150-10	236.87
8000-933-250	94-380-26	N/A	N/A	94-379-01	94-391-05	94-395-06	94-385-03	11-150-00	185.64
8005-733-155	94-389-25	94-375-06	94-374-16	94-378-00	94-391-06	94-395-06	94-385-03	11-150-00	189.90
8005-233-236	94-380-06	94-375-06	94-374-09	94-379-00	94-390-08	94-395-06	94-385-03	11-150-00	186.16
8005-733-255	94-382-11	94-375-06	94-374-16	94-379-00	94-391-06	94-395-06	94-385-03	11-150-00	189.90
8005-791-255	94-382-11	94-375-06	94-374-16	94-379-00	94-391-06	94-395-16	94-385-03	11-147-03	246.09
8005-951-220	N/A	N/A	N/A	94-379-01	94-391-22	94-395-16	94-385-02	11-147-14	†
8005-951-960	94-382-03	N/A	N/A	94-379-01	94-391-37	94-395-16	94-385-02	11-196-01	†
8005-952-480	94-382-27	N/A	N/A	94-379-01	94-391-36	94-395-16	94-385-04	11-147-13	181.02
8005-952-990	94-382-28	N/A	N/A	94-379-01	94-391-38	94-395-16	94-385-04	11-147-11	†
8006-543-236	94-380-02	94-375-06	94-374-05	94-379-00	94-390-05	94-395-06	94-385-03	11-111-07	160.01
8006-543-250	94-382-09	N/A	N/A	94-379-00	94-391-15	94-395-06	94-385-03	11-111-07	155.75
8007-543-236	94-380-02	94-375-06	94-374-05	94-379-00	94-390-05	94-395-06	94-385-03	11-184-00	171.53
8007-543-250	94-343-00	N/A	N/A	94-379-00	94-391-07	94-395-06	94-385-03	11-168-01	166.82
8010-101-200	94-382-29	N/A	N/A	94-379-01	94-391-36	94-395-16	94-385-02	11-155-00	250.87
8010-101-201	N/A	N/A	N/A	94-379-01	94-391-36	94-395-16	94-385-02	11-155-00	†
8010-101-205	N/A	N/A	N/A	94-379-01	94-391-36	94-395-16	94-385-02	11-155-00	170.78
8010-102-210	N/A	N/A	N/A	94-379-01	94-391-36	94-395-16	94-385-02	11-169-00	181.02
8010-102-211	N/A	N/A	N/A	94-379-01	94-391-36	94-395-16	94-385-02	11-169-00	184.44
8010-252-136	N/A	94-375-06	94-374-16	94-378-00	94-390-08	94-395-06	94-385-03	11-142-20	170.61
8020-503-250	94-382-09	N/A	N/A	94-379-00	94-391-08	94-395-06	94-385-03	11-194-00	237.72
8020-513-236	94-380-02	94-375-06	94-374-10	94-379-00	94-390-05	94-395-06	94-285-02	11-194-01	247.80
8020-832-288	94-382-02	94-375-15	94-374-10	94-379-01	94-391-25	94-395-16	94-385-04	11-150-10	280.75
8020-833-238	94-380-28	94-375-15	94-374-10	94-379-01	94-390-15	94-395-16	94-385-03	11-150-10	280.75
8025-213-236	94-380-06	94-375-08	94-374-09	94-379-00	94-390-08	94-395-06	94-385-03	11-150-10	252.06
8025-213-256	N/A	94-375-06	94-374-05	94-379-00	94-391-16	94-395-06	94-385-03	11-194-01	260.94
8030-543-250	94-382-09	N/A	N/A	94-379-00	94-391-08	94-395-06	94-385-03	11-150-00	256.51
8030-813-239	N/A	94-375-15	94-374-10	94-379-01	94-390-15	94-395-06	94-385-31	11-227-00	250.37
8030-843-250	94-382-23	N/A	N/A	94-379-00	94-391-06	94-395-16	94-385-03	11-206-02	259.58
8030-853-250	94-382-23	N/A	N/A	94-379-00	94-391-06	94-395-16	94-385-03	11-208-02	290.67
8030-863-239	N/A	N/A	94-374-10	94-379-01	94-390-25	94-395-16	94-385-31	11-223-00	273.59
8030-942-249	N/A	N/A	94-374-09	94-379-01	94-390-06	94-395-16	94-385-31	11-206-02	†
8030-942-288	94-382-24	94-317-18	94-374-09	94-379-01	94-391-26	94-395-16	94-385-04	11-206-02	284.52
8030-943-250	94-380-26	N/A	N/A	94-379-00	94-391-06	94-395-06	94-385-03	11-206-02	238.40
8035-963-239	94-380-23	N/A	94-374-09	94-379-01	94-390-06	94-395-16	94-385-32	11-223-00	254.11
8090-212-246	94-380-20	94-229-04	94-374-09	94-379-00	94-390-08	94-395-06	94-385-04	11-160-00	214.16
8090-511-246	N/A	94-229-04	94-374-10	94-379-00	94-390-05	94-379-06	94-385-02	11-160-00	246.60
8090-801-248	94-380-28	94-229-08	94-374-10	94-379-00	94-390-15	94-395-16	94-385-02	11-160-10	254.80
8090-802-278	94-382-02	94-229-05	94-374-10	94-379-01	94-391-25	94-395-16	94-385-04	11-160-10	263.85
8090-611-250	N/A	N/A	N/A	94-379-01	94-391-15	94-395-16	94-385-31	11-160-00	†
8090-902-248	94-380-17	94-229-08	94-374-16	94-379-01	94-390-06	94-395-16	94-385-04	11-160-10	238.75
8090-902-278	94-382-24	94-229-08	94-374-09	94-379-01	94-391-26	94-395-16	94-385-04	11-160-10	274.63
8090-911-250	N/A	N/A	N/A	94-379-01	94-391-06	94-395-16	95-385-02	11-160-00	225.77
8090-871-278	94-382-37	94-229-05	94-374-05	94-379-01	94-391-26	N/A	94-385-31	11-201-00	313.54
8090-971-278	94-382-39	94-229-08	94-375-16	94-379-01	94-391-26	N/A	94-385-31	11-201-00	296.82
8090-941-278	94-382-39	94-229-08	94-374-16	94-379-01	94-391-26	N/A	94-385-31	11-201-00	†
8090-951-250	94-380-26	N/A	N/A	94-379-01	94-391-06	94-395-16	94-385-02	11-200-00	†
8090-961-250	94-380-26	N/A	N/A	94-379-01	94-391-08	94-395-16	94-385-02	11-200-00	288.27
8090-802-178	N/A	94-229-05	94-374-10	94-378-01	94-391-25	94-395-16	94-385-04	11-160-10	†
8090-512-256	N/A	94-229-04	94-374-05	94-379-00	94-391-08	94-395-06	94-385-04	11-160-00	246.60
8090-822-278	94-382-38	94-229-05	94-374-10	94-379-01	94-391-25	94-395-16	94-385-04	11-160-16	†
8090-901-248	N/A	94-229-08	94-374-09	94-379-01	94-390-06	94-395-16	94-385-02	11-160-10	238.75

‡Diaphragm included in Driver Impeller Assembly

†Price not available at time of printing

SERIES 2088 COMPLETE PUMP HEAD

Code 4 **A**

STOCK NO.	DESCRIPTION	PRICE EA.
SF94-236-08	Head Assembly Santo	\$118.53
SF94-236-11	Head Assembly Viton	168.56
SF94-236-14	Head Assembly Santo	133.72

SERIES 2088 CHECK VALVE ASSEMBLY

Code 4 **A**

STOCK NO.	DESCRIPTION	PRICE EA.
SF94-237-00	Check Valve Assembly Santo	\$13.83
SF94-236-11	Check Valve Assembly Viton	22.71

SERIES 2088 BY-PASS · NON BY-PASS VALVE ASSEMBLY

Code 4 **A**

STOCK NO.	DESCRIPTION	PRICE EA.
SF94-232-00	Valve Assembly Santo	\$20.84
SF94-232-05	Valve Assembly Viton	55.68

SERIES 2088 SWITCH ASSEMBLY

Code 4 **A**

STOCK NO.	DESCRIPTION	PRICE EA.
SF94-230-35	Switch Assembly Santo	\$21.76
SF94-230-36	Switch Assembly Viton	37.74
SF94-230-55	Switch Assembly Viton	49.35

SERIES 2088 UPPER HOUSING

Code 4 **A**

STOCK NO.	DESCRIPTION	PRICE EA.
SF21-399-00	Upper Housing	\$ 7.11
SF94-231-30	Upper Housing Poly	14.70

DRIVER/IMPELLER DIAPHRAGM ASSEMBLY

Code 4 **A**

STOCK NO.	DESCRIPTION	PRICE EA.
SF94-238-03	Drive Assembly Santo	\$39.79

SERIES 2088 MOTOR

Code 4 **A**

STOCK NO.	DESCRIPTION	PRICE EA.
SF11-111-00	Motor Volt	\$128.09
SF11-150-10	Motor Volt	185.12
SF11-174-01	Motor Volt	220.31
SF11-185-06	Motor Volt	237.39
SF11-187-00	Motor Volt	161.73
SF11-195-01	Motor Volt	250.29
SF11-226-06	Motor Volt	167.19
SF84-008-11	Motor Volt	374.51

SHURflo® SERIES 8000 REPLACEMENT PARTS

COMPLETE PUMPHEAD ASSEMBLY

Code 4 **A**

STOCK NO.	DESCRIPTION	PRICE EA.
SF94-380-02	Pumphead Santo & Viton	\$134.24
SF94-380-05	Pumphead All Viton	227.82
SF94-380-06	Pumphead Santo & EPDM	134.05
SF94-380-17	Pumphead Santo & EPDM	144.65
SF94-380-20	Pumphead Santo & EPDM	104.69
SF94-380-23	Pumphead Santo & EPDM	147.72
SF94-380-26	Pumphead Santo & EPDM	126.89
SF94-380-28	Pumphead Santo & Viton	134.24
SF94-382-02	Pumphead Santo & Viton	172.31
SF94-382-03	Pumphead Santo & EPDM	104.66
SF94-382-09	Pumphead Santo & Viton	147.72
SF94-382-11	Pumphead Santo & EPDM	139.19
SF94-382-23	Pumphead Santo & Viton	147.72
SF94-382-24	Pumphead Santo & EPDM	145.17
SF94-382-25	Pumphead Santo & EPDM	136.29
SF94-382-26	Pumphead Santo & EPDM	136.29
SF94-382-27	Pumphead Santo & EPDM	139.19
SF94-382-28	Pumphead Santo & EPDM	112.55
SF94-382-29	Pumphead Santo & EPDM	112.55
SF94-382-33	Pumphead Santo & Viton	139.19
SF94-382-37	Pumphead Santo & Viton	142.73
SF94-382-38	Pumphead Santo & Viton	159.54
SF94-382-39	Pumphead Santo & EPDM	125.96
SF94-382-43	Pumphead Santo & Viton	125.96

SWITCH ASSEMBLY

Code 4 **A**

STOCK NO.	DESCRIPTION	PRICE EA.
SF94-229-04	Switch Assembly Santo	\$30.57
SF94-229-05	Switch Assembly Viton	34.78
SF94-229-08	Switch Assembly Santo	30.57
SF94-375-04	Switch Assembly Buna	23.74
SF94-375-05	Switch Assembly Viton	31.09
SF94-375-06	Switch Assembly Santo	30.57
SF94-375-08	Switch Assembly Santo	25.11
SF94-375-15	Switch Assembly Viton	32.96
SF94-375-18	Switch Assembly Santo	27.50

CHECK VALVE ASSEMBLY

Code 4 **A**

STOCK NO.	DESCRIPTION	PRICE EA.
SF94-374-05	Valve Assembly Viton	\$12.47
SF94-374-09	Valve Assembly EPDM	12.47
SF94-374-10	Valve Assembly Viton	12.47
SF94-374-16	Valve Assembly EPDM	12.47

UPPER HOUSING

Code 4 **A**

STOCK NO.	DESCRIPTION	PRICE EA.
SF94-378-00	Upper Housing Poly	\$21.86
SF94-378-01	Upper Housing	21.86
SF94-379-00	Upper Housing Poly	21.86
SF94-379-01	Upper Housing	21.86

BY PASS · NON BY PASS VALVE ASSEMBLY

Code 4 **A**

STOCK NO.	DESCRIPTION	PRICE EA.
SF94-390-05	Valve Assembly Viton	\$47.82
SF94-390-06	Valve Assembly EPDM	23.06
SF94-390-08	Valve Assembly EPDM	26.13
SF94-390-10	Valve Assembly Buna	26.13
SF94-390-15	Valve Assembly Viton	55.00
SF94-391-05	Valve Assembly Viton	60.97
SF94-391-06	Valve Assembly EPDM	28.18
SF94-391-07	Valve Assembly Viton	54.82
SF94-391-08	Valve Assembly Viton	54.82
SF94-391-09	Valve Assembly Viton	54.82
SF94-391-15	Valve Assembly Viton	55.00
SF94-391-16	Valve Assembly EPDM	28.18
SF94-391-22	Valve Assembly EPDM	33.14
SF94-391-25	Valve Assembly Viton	55.00
SF94-391-26	Valve Assembly EPDM	33.14
SF94-391-36	Valve Assembly EPDM	33.14
SF94-391-37	Valve Assembly EPDM	32.28
SF94-391-38	Valve Assembly EPDM	32.28

DIAPHRAGM ASSEMBLY

Code 4 **A**

STOCK NO.	DESCRIPTION	PRICE EA.
SF94-238-03	Diaphragm Asbly. Santo	\$39.79
SF94-385-02	Diaphragm Asbly. no rubber	29.37
SF94-385-03	Diaphragm Asbly. no rubber	29.37
SF94-385-04	Diaphragm Asbly. no rubber	29.37
SF94-385-30	Diaphragm Asbly. Santo	58.58
SF94-385-31	Diaphragm Asbly. Santo	58.58
SF94-385-32	Diaphragm Asbly. Santo	58.58

DRIVER IMPELLER ASSEMBLY

Code 4 **A**

STOCK NO.	DESCRIPTION	PRICE EA.
SF94-238-03	Driver / Impeller	\$39.79
SF94-385-02	Driver / Impeller	29.37
SF94-385-03	Driver / Impeller	29.37
SF94-385-04	Driver / Impeller	29.37
SF94-385-30	Driver / Impeller	58.58
SF94-385-31	Driver / Impeller	58.58
SF94-385-32	Driver / Impeller	58.58

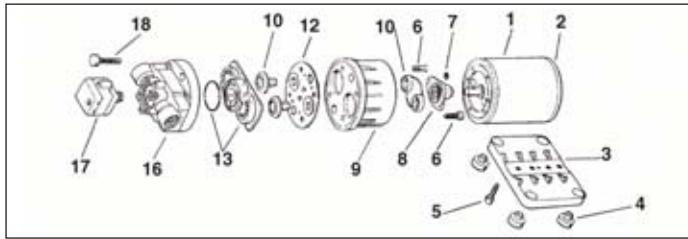
PUMP MOTOR

Code 4 **A**

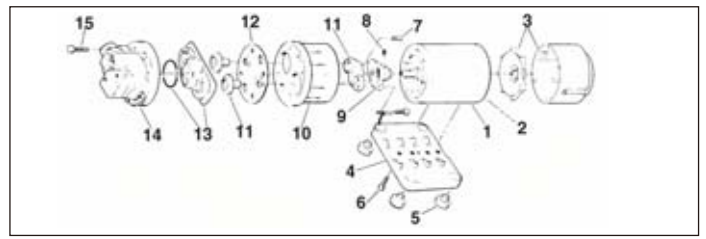
STOCK NO.	DESCRIPTION	PRICE EA.
SF11-111-00	Motor Volt - 12 VDC	\$128.09
SF11-111-04	Motor Volt - 12 VDC	142.08
SF11-111-07	Motor Volt - 12 VDC	145.50
SF11-142-20	Motor Volt - 24 VDC	145.17
SF11-147-11	Motor Volt - 36 VDC	157.11
SF11-147-13	Motor Volt - 36 VDC	⌘
SF11-147-14	Motor Volt - 36 VDC	⌘
SF11-148-04	Motor Volt - 12 VDC	115.61
SF11-150-00	Motor Volt - 115 VAC	165.14
SF11-150-10	Motor Volt - 115 VAC	185.12
SF11-155-00	Motor Volt - 24 VAC	178.46
SF11-160-00	Motor Volt - 230 VAC	218.59
SF11-160-10	Motor Volt - 230 VAC	235.16
SF11-160-16	Motor Volt - 230 VAC	⌘
SF11-168-01	Motor Volt - 12 VDC	212.44
SF11-169-00	Motor Volt - 24 VDC	⌘
SF11-184-00	Motor Volt - 12 VDC	221.68
SF11-194-00	Motor Volt - 115 VAC	236.52
SF11-194-01	Motor Volt - 115 VAC	231.41
SF11-196-01	Motor Volt - 24 VDC	⌘
SF11-200-00	Motor Volt - 230 VAC	⌘
SF11-201-00	Motor Volt - 230 VAC	⌘
SF11-206-02	Motor Volt - 120 VDC	⌘
SF11-208-02	Motor Volt - 230 VAC	⌘
SF11-223-00	Motor Volt - 115 VAC	197.59
SF11-227-00	Motor Volt - 12 VDC	163.10

⌘ PLEASE CONTACT US FOR PRIC-

2100 SERIES PUMP PARTS



2130 SERIES PUMP PARTS



2100 BYPASS PUMPS

Code 4 **A**

KEY	STOCK NUMBER	DESCRIPTION	PRICE EA.
1	FJ02029-000A FJ02039-001A FJ02009-004A FJ02019-001A	Motor 115 Volt AC TENV Motor 230 Volt AC TENV Motor 12 Volt DC TENV Motor 24 Volt DC TENV	\$113.02 117.90 91.80 101.30
CAM BEARING / DIAPHRAGM KIT			
↑ Kit Incl. 6 7 8 10 12 ↓	FJ21004-100	#0 Cam, VITON® Diaphragm	50.65
	FJ21004-200	#0 Cam, BUNA Diaphragm	38.07
	FJ21004-400	#0 Cam, SANTO Diaphragm	36.67
	FJ21004-101	#1 Cam, VITON® Diaphragm	50.65
	FJ21004-201	#1 Cam, BUNA Diaphragm	38.07
	FJ21004-401	#1 Cam, SANTO Diaphragm	36.67
	FJ21004-102	#2 Cam, VITON® Diaphragm	50.65
	FJ21004-202	#2 Cam, BUNA Diaphragm	38.07
	FJ21004-402	#2 Cam, SANTO Diaphragm	36.67
	FJ21004-104	#4 Cam, VITON® Diaphragm	50.65
	FJ21004-204	#4 Cam, BUNA Diaphragm	38.07
	FJ21004-404	#4 Cam, SANTO Diaphragm	36.67
	FJ21004-105	#5 Cam, VITON® Diaphragm	50.65
	FJ21004-205	#5 Cam, BUNA Diaphragm	38.07
	FJ21004-405	#5 Cam, SANTO Diaphragm	36.67
9	FJ20428-100	Bearing Cover Polypropylene	12.40
CHECK VALVE ASSEMBLY SINGLE BYPASS			
13	FJ20028-002	SANTOPRENE	11.36
13	FJ20028-012	BUNA N/FAB	12.09
13	FJ20028-045	VITON®	22.21
CHECK VALVE ASSEMBLY DOUBLE BYPASS			
13	FJ20028-003	SANTOPRENE	11.36
13	FJ20028-022	BUNA N/FAB.	12.09
13	FJ20028-078	VITON®	22.65
CHECK VALVE ASSEMBLY SINGLE BYPASS VENTED			
13	FJ20028-048	SANTOPRENE	11.36
13	FJ20028-079	VITON	20.04
13	FJ20028-028	BUNA® N/FAB.	12.09
BYPASS SPRINGS & POPPET KIT SET OF 2			
15	FJ20378-000 FJ20378-001	For 30 PSI Bypass Nominal (yellow) For 50 PSI Bypass Nominal (blue)	6.09 6.09
16	FJ20500-507	Pump Housing Poly Pro	14.30

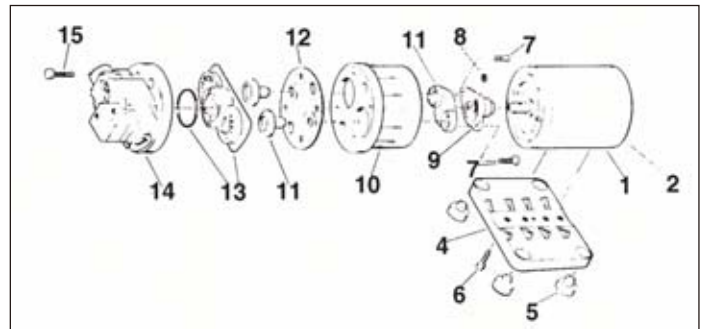
2130 DEMAND PUMPS

Code 4 **A**

KEY	STOCK NUMBER	DESCRIPTION	PRICE EA.
1	FJ02009-027A FJ02029-021A FJ02039-027A	12 V Motor DC TENV 115 V Motor AC TEFC 230 V Motor AC TEFC	\$107.66 158.31 143.01
CAM BEARING / DIAPHRAGM KIT			
Kit Incl.	FJ21004-220	#0 Cam, BUNA Diaphragm	38.07
	FJ21004-320	#0 Cam, EPDM Diaphragm	38.07
7	FJ21004-221	#1 Cam, BUNA Diaphragm	38.07
8	FJ21004-321	#1 Cam, EPDM Diaphragm	38.07
9	FJ21004-202	#2 Cam, BUNA Diaphragm	38.07
11	FJ21004-302	#2 Cam, EPDM Diaphragm	38.07
12	FJ21004-204	#4 Cam, BUNA Diaphragm	38.07
	FJ21004-304	#4 Cam, EPDM Diaphragm	38.07
10	FJ20428-101	Bearing Cover (nylon)	12.40
13	FJ20028-053	Check Valve Assembly - EPDM (nylon, vent)	12.14
	FJ20028-052	Nylon, vented (4 cam Models Only)	▯
14	FJ20316-003A	Upper Housing / Switch Assembly	46.41

▯Please Contact us for Pricing

2135 SERIES PUMP PARTS



2100 DEMAND PUMPS

Code 4 **A**

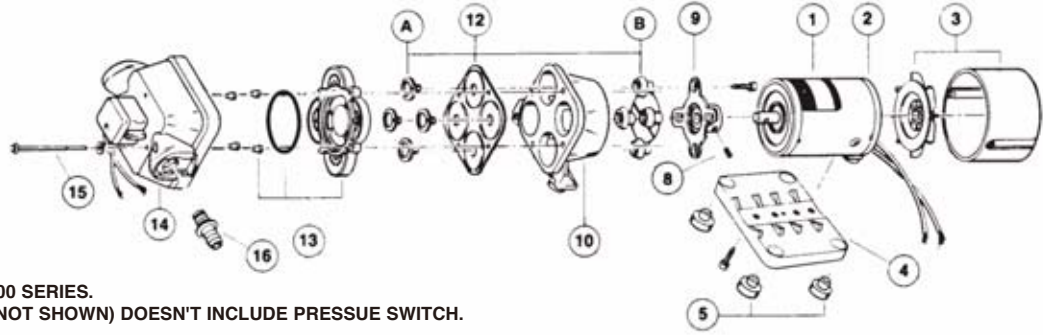
KEY	STOCK NO.	DESCRIPTION	PRICE EA.
1	FJ02029-000A FJ02029-026A	Motor 115 Volt AC TENV Motor 115 Volt AC TEFC	\$113.02 137.71
	FJ02039-001A FJ02039-031A	Motor 230 Volt AC TENV Motor 230 Volt AC TEFC	117.90 138.26
	FJ02009-004A FJ02009-015A	Motor 12 Volt DC TENV Motor 12 Volt DC TEFC	91.80 101.82
CAM BEARING / DIAPHRAGM KIT			
↑ Kit Incl. 6 7 8 10 12 ↓	FJ21004-100	#0 Cam, VITON® Diaphragm	50.65
	FJ21004-200	#0 Cam, BUNA Diaphragm	38.07
	FJ21004-400	#0 Cam, SANTO Diaphragm	36.67
	FJ21004-101	#1 Cam, VITON® Diaphragm	50.65
	FJ21004-201	#1 Cam, BUNA Diaphragm	38.07
	FJ21004-401	#1 Cam, SANTO Diaphragm	36.67
	FJ21004-102	#2 Cam, VITON® Diaphragm	50.65
	FJ21004-202	#2 Cam, BUNA Diaphragm	38.07
	FJ21004-402	#2 Cam, SANTO Diaphragm	36.67
	FJ21004-104	#4 Cam, VITON® Diaphragm	50.65
	FJ21004-204	#4 Cam, BUNA Diaphragm	38.07
	FJ21004-404	#4 Cam, SANTO Diaphragm	36.67
	FJ21004-105	#5 Cam, VITON® Diaphragm	50.65
	FJ21004-205	#5 Cam, BUNA Diaphragm	38.07
	FJ21004-405	#5 Cam, SANTO Diaphragm	36.67
9	FJ20428-100	Bearing Cover Polypropylene	12.40
13	FJ20028-008 FJ20028-009 FJ20028-035	Check Valve Assembly (std.) - SANTOPRENE Check Valve Assembly - BUNA Check Valve Assembly - VITON®	11.36 12.03 22.65
16	FJ20500-507 FJ20500-508	Pump Housing Poly Pro Pump Housing Nylon	14.30 22.80
17	FJ02095-100	Pressure Switch Assembly 60 PSI	27.12

2135 SERIES PUMP PARTS

Code 4 **A**

KEY	STOCK NUMBER	DESCRIPTION	PRICE EA.
1	FJ02009-004A FJ02029-000A FJ02039-028A	12 V Motor DC TENV 115 V Motor AC TENV 230 V Motor AC TENV	\$ 90.85 112.51 117.90
CAM BEARING / DIAPHRAGM KIT			
↑ Kit Incl. 7 8 9 11 12 ↓	FJ21004-100	#0 Cam, VITON® Diaphragm	50.65
	FJ21004-200	#0 Cam, BUNA Diaphragm	38.07
	FJ21004-400	#0 Cam, SANTO Diaphragm	36.67
	FJ21004-101	#1 Cam, VITON® Diaphragm	50.65
	FJ21004-201	#1 Cam, BUNA Diaphragm	38.07
	FJ21004-401	#1 Cam, SANTO Diaphragm	36.67
	FJ21004-102	#2 Cam, VITON® Diaphragm	50.65
	FJ21004-202	#2 Cam, BUNA Diaphragm	38.07
	FJ21004-402	#2 Cam, SANTO Diaphragm	36.67
	FJ21004-104	#4 Cam, VITON® Diaphragm	50.65
	FJ21004-204	#4 Cam, BUNA Diaphragm	38.07
	FJ21004-404	#4 Cam, SANTO Diaphragm	36.67
10	FJ20428-100	Bearing Cover Polypropylene	12.40
13	FJ20028-051 FJ20028-011 FJ20028-057	Check Valve Kit - VITON® Check Valve Kit - BUNA Check Valve Kit - SANTO	22.65 17.50 11.29
14	FJ20316-011A	Upper Housing / Switch Assembly	46.41

**SERIES
4100 & 4300
PUMP PARTS**



*UPPER HOUSING SHOWN IS 4300 SERIES.
4100 SERIES UPPER HOUSING (NOT SHOWN) DOESN'T INCLUDE PRESSUE SWITCH.

4100 & 4300 PUMP PARTS

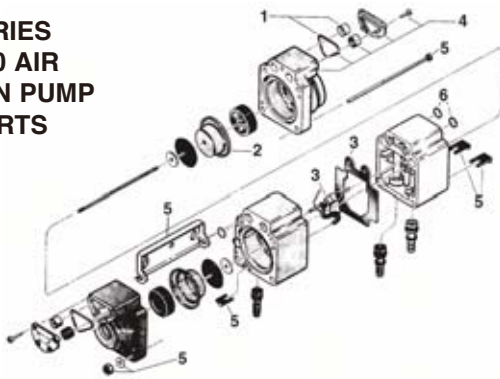
Code 4 **A**

REF. NO.	STOCK NUMBER	DESCRIPTION	QTY. REQ'D.	PRICE EA.
1	FJ02009-027A	12V DC Mtr (TEFC)	1	\$107.66
	FJ02009-037A	12V DC Mtr (TEFC Thermo Pro)	1	110.90
	FJ02029-039A	115V AC Mtr (TEFC)	1	158.31
	FJ02039-027A	230V AC Mtr (TEFC)	1	143.01
2	FJ20115-113	Brush Endbell Assembly (DC) w/BRG	1	33.44
	FJ20115-114	Brush Endbell / Rect. Assy. (AC) w/BRG	1	33.44
	FJ20115-213	Brush Endbell Assembly (DC) wo/BRG	1	33.44
	FJ20115-219	Brush Endbell / Rect. Assy. (AC) wo/BRG	1	31.66
	FJ20115-220	Brush Endbell Assy (DC) wo/BRG Thermo Pro	1	31.66
3	FJ20132-005	Fan/Shroud Kit		6.01
5	FJ20132-000	Grommet Kit	Set	1.84
8	FJ20552-000	Can/Bearing Set Screw	1	.79
9	FJ20400-002	Cam/Bearing Kit w/Set Screw	1	29.69
9	FJ20400-003	Cam/Bearing Kit w/Set Screw	1	29.69
10	FJ20401-000	Bearing Cover P.P.	1	21.48
DIAPHRAGM KIT W/PISTONS & SCREWS				
12	FJ20403-040	Santoprene®	1	16.53
12	FJ20403-050	Geolast	1	16.53
CHECK VALVE ASSEMBLY KIT W/"O" RING & FERRULES				
13	FJ20407-010	Buna	1	18.95
13	FJ20407-020	Viton®	1	39.88
13	FJ20407-030	EPDM	1	20.82

Code 4 **A**

REF. NO.	STOCK NUMBER	DESCRIPTION	QTY. REQ'D.	PRICE EA.
UPPER HOUSING ASSEMBLY KIT				
14	FJ20404-001	E/S SW45	1	59.98
	FJ20404-003	E/S SW45	1	38.69
	FJ20404-007	V/G SW45	1	62.13
14	FJ20404-011	E/S NO SW	1	40.18
	FJ20404-015	V/G NO SW	1	42.51
	FJ20404-017	V/G SW45	1	62.13
14	FJ20404-018	E/S SW45	1	59.98
	FJ20404-019	V/G NO SW	1	42.51
	FJ20404-020	E/S SW30	1	59.98
15	FJ20405-000	Pump Screw Kit w/Washer		3.68
17	FJ02090-103	Pressure SW on 32 PSI off 45 PSI	1	27.12
PUMP HEAD ASSEMBLY				
Items 8 to 17	FJ20406-000A	Diaphragm - SANTO Check Valve - EPDM	1	141.04
	FJ20406-002A	Diaphragm - SANTO Check Valve - EPDM	1	134.21
	FJ20406-006A	Diaphragm - SANTO Check Valve - VITON	1	160.87
	FJ20406-011A	Diaphragm - SANTO Check Valve - EPDM	1	121.55
	FJ20406-018A	Diaphragm - SANTO Check Valve - VITON	1	140.97
	FJ20406-020A	Diaphragm - SANTO Check Valve - EPDM	1	141.04
	FJ20406-021A	Diaphragm - SANTO Check Valve - VITON	1	160.87
	FJ20406-022A	Diaphragm - SANTO Check Valve - VITON	1	140.97
	FJ20406-023A	Diaphragm - SANTO Check Valve - EPDM	1	141.04

**SERIES
5100 AIR
DRIVEN PUMP
PARTS**

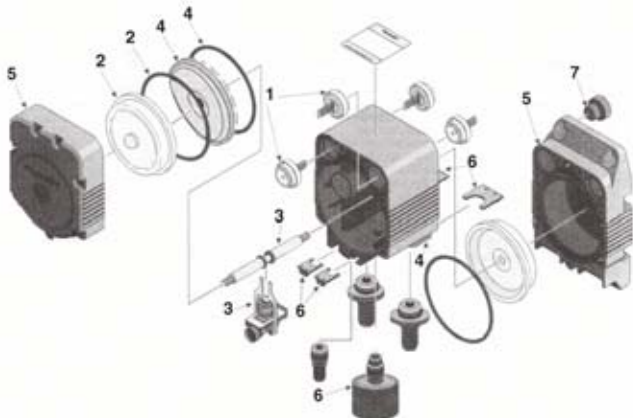


5100 SERIES AIR DRIVEN PUMP

Code 4 **A**

REF. NO.	STOCK NUMBER	DESCRIPTION	QTY. REQ'D.	PRICE EA.
KIT CHECK VALVE ASSEMBLY				
1	FJ20467-001	Buna		\$12.97
1	FJ20467-002	Viton®		24.41
1	FJ20467-003	Santo		12.34
1	FJ20467-004	Geolast		12.48
KIT DIAPHRAGM (INCL. PISTONS)				
2	FJ20466-001	Buna		14.28
2	FJ20466-002	Viton®		37.69
2	FJ20466-003	Santo		11.86
2	FJ20466-004	Geolast		13.59
KIT SPOOL VALVE & "U" SPRING				
3	FJ20469-000	Santo	1	22.47
3	FJ20469-001	Buna	1	22.47
3	FJ20469-002	Viton®	1	32.62
3	FJ20469-004	Geolast	1	22.47
KIT CYLINDER END COVERS				
4	FJ20468-001	Santo	2	26.21
4	FJ20468-002	Buna	2	27.01
4	FJ20468-003	Viton®	2	38.38
4	FJ20468-004	Geolast	2	26.45
5	FJ20465-000	Hardware Kit (included in Diaphragm Kit)	1	11.48

SERIES G57 AIR DRIVEN PUMP PARTS

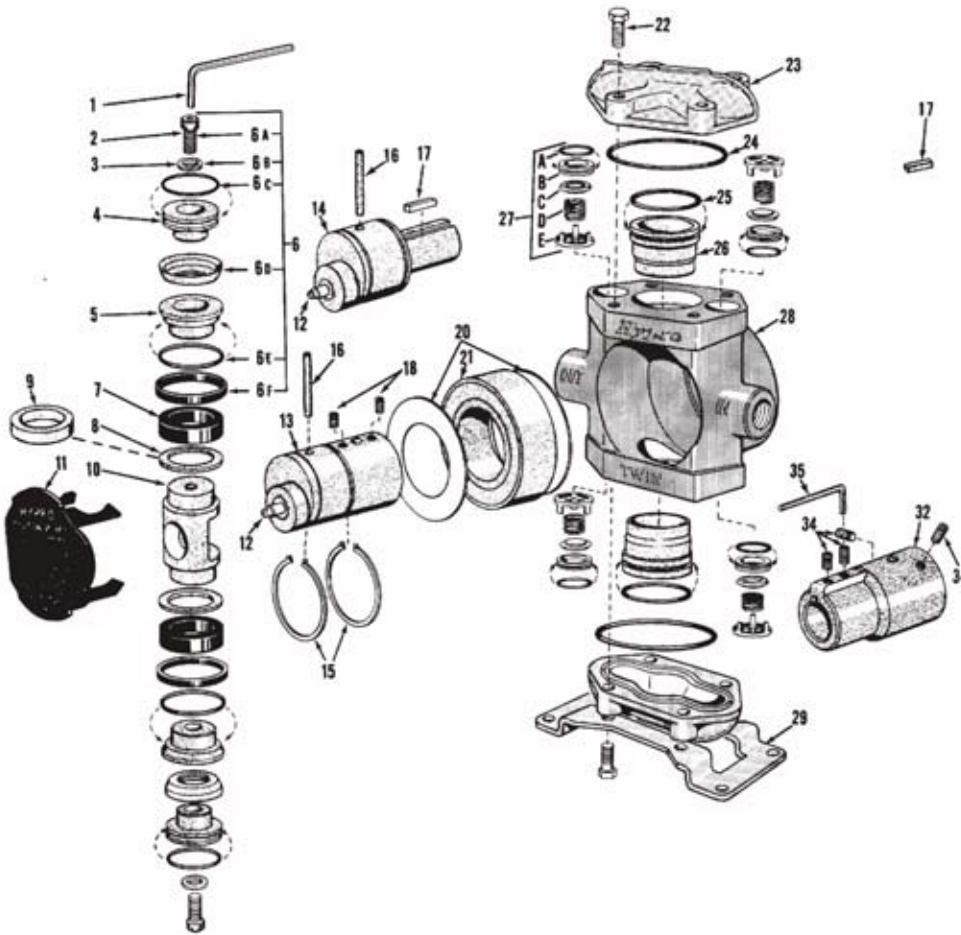


SERIES G57 PUMP PARTS

Code 4 **A**

REF. NO.	STOCK NUMBER	DESCRIPTION	QTY. REQ'D.	PRICE EA.
1	FJ20740-050A	Kit, Check Valve, Assy., Santo, Hastelloy	4	\$13.49
2	FJ20730-000A	Kit, Diaphragm w/"O" Rings	2	21.39
3	FJ20751-000A	Kit, Shaft & Slide Valve Assembly	2	37.37
4	FJ20896-000A	Kit, Flange & Housing Assy. w/"O" Ring	2	⌘
5	FJ20753-000A	Kit End Caps	2	34.57
6	FJ20793-100A	Kit Hardware - Includes:		19.42
		Screws #10 x 1.5" Hi Low	14	
		Retainer Clip Small	2	
		Retainer Clip Large	2	
		Exhaust Port	1	
		Exhaust Muffler	1	
7	FJ20132-000	Kit, Grommets	4	1.84

**MODELS: 5206C, 5206CF, 5206CR, 5206C-H, 5206C-HF & 5206C-HR
5210C, 5210CF, 5210CR, 5210C-H, 5210C-HF & 5210C-HR
REPLACEMENT PARTS**



Code 4 **A**

PISTON STACK PARTS KIT	
Leather Cup Kit No. 3430-0037 (STD)	
Consists of two each of the following parts: No. 2220-0013 Piston Cap Screw (Ref. 6A), No. 2270-0012 Washer (Ref. 6B), No. 1720-0030 O-Ring (Ref. 6C), No. 2150-0001 Leather Cup (Ref. 6D), No. 1720-0065 O-Ring (Ref. 6E), and No. 1440-0012 Seal Ring (Ref. 6F).	
Stock No. HYK-51	Price Ea. \$35.36
Fabric Cup Kit No. 3430-0039	
Same as Leather Cup kit except with two No. 2150-0012 Fabric Cups.	
Stock No. HYK-52	Price Ea. \$53.04
Rubber Cup Kit No. 3430-0189	
Same as Leather Cup Kit except with two No. 2150-0042 Rubber Cups.	
Stock No. HYK-53	Price Ea. \$53.04

NOTE: Suffix Letter H indicates Hollow Shaft. Suffix Letter C indicates Cast-Iron Body and Cylinder Heads. Suffix Letter E indicates Electroless Nickel Plated Body and Cylinder Heads. Standard pump is equipped with Leather Cups. Suffix Letter F indicates Fabric Cups (rubber impregnated); R indicates Rubber (Buna-N) Cups; P indicates Ceramic Coated Cylinder Sleeves.

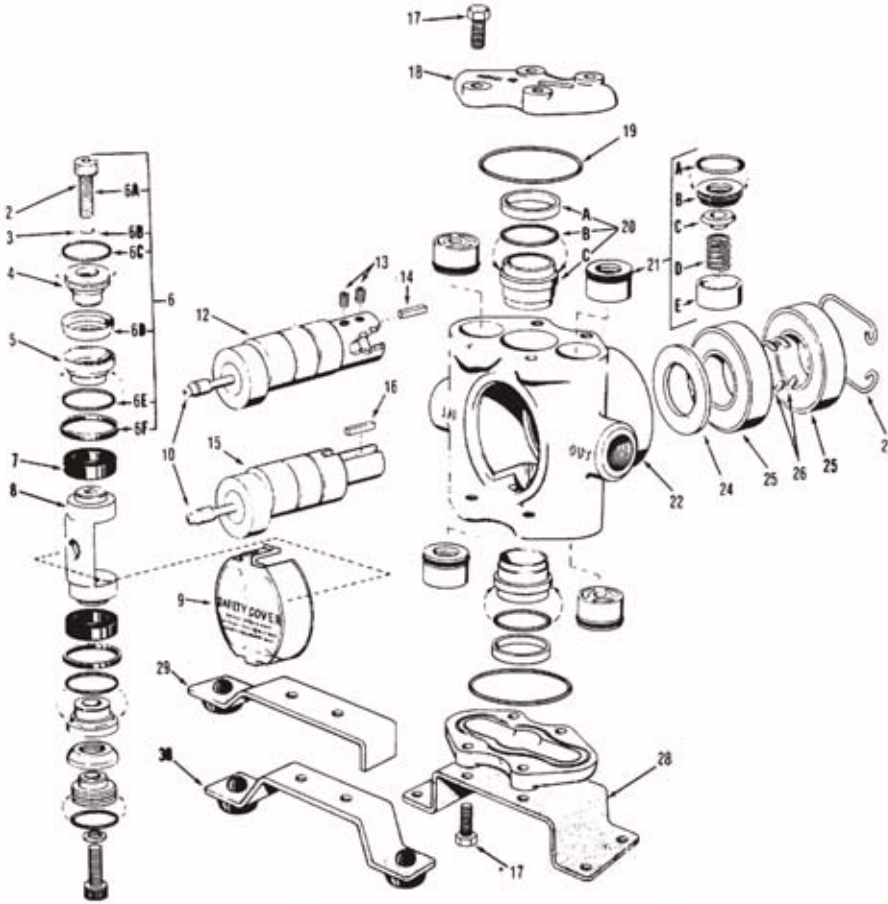
Code 4 **A**

REF. NO.	PART NUMBER	DESCRIPTION	QTY. REQ'D.	PRICE EA.
1	HY3020-0008	Allen Wrench (Optional)	1	▯
2	HY2220-0013	Piston Cap Screw	2	1.36
3	HY2270-0012	Washer	2	.75
4	HY1830-0039	Piston Cup Spreader	2	13.06
5	HY1410-0054	Cup Backing Plate	2	15.30
6	HYK-51	Piston Stack Parts Kit with Leather Cups (Standard)	1	35.36
6	HYK-52	Piston Stack Parts Kit with Fabric Cups (Models 5200-F)	1	53.04
6	HYK-53	Piston Stack Parts Kit with Buna-N Cups (Models 5200-R)	1	53.04
7	HY1440-0005	Piston Guide	2	8.23
8	HY1410-0018	Support Ring for 5210 Models Only	2	2.04
9	HY1410-0020	Support Ring for 5206 Models Only	2	6.05
10	HY0503-5200	Connecting Rod	1	112.54
11	HY0602-5200	Safety Cover	1	5.24
12	HY2405-0006	Grease Fitting Assembly	1	5.30
13	See Listing	Crankshaft (Solid Shaft Models)	1	▯
14	See Listing	Crankshaft (Hollow Shaft Models)	1	▯
15	HY1810-0001	Retainer Ring	2	1.36
16	HY1600-0013	Crankpin Retainer	1	.82

REF. NO.	PART NUMBER	DESCRIPTION	QTY. REQ'D.	PRICE EA.
17	HY1610-0005	Key (Solid Shaft Models)	1	1.02
18	HY2230-0003	Set Screw	2	.75
20	HY1410-0006	Slinger Ring	2	1.97
21	HY2005-0002	Main Bearing	1	120.36
22	HY2210-0062	Cylinder Head Bolt	8	.75
23	HY0203-5200C	Cylinder Head (5200C Models)	2	22.10
24	HY1720-0028	O-Ring - for cylinder head	2	1.22
25	HY1720-0019	O-Ring - for cylinder sleeve	2	.75
26	HY3550-0007	Cylinder Sleeve (Ni-Resist Standard)	2	68.68
27	HY3400-0038	Valve Assembly - Consists of: O-Ring (Ref. A), Valve Seat (Ref. B) Valve Poppet (Ref. C), Valve Spring (Ref. D) & Valve Spring Retainer (Ref. E)	4	24.82
28	HY0100-5200C	Body Cast Iron (5200C Models)	1	301.24
29	HY1510-0024	Base	1	13.46
32	HY1320-0067	Adapter-Adapts 1" solid shaft to 1-3/8" 6-spline PTO hollow shaft.	1	▯
34	HY3410-0003	Adapter Kit - Consists of 4 set screws	1	▯

▯PLEASE CONTACT US FOR PRICING

MODELS: 5315C-X, 5320C-X, 5325C-X & 5330C-X



Code 4 **A**

PISTON STACK PARTS KIT Leather Cup Kit No. 3430-0007	
Consists of two each of the following parts: No. 2220-0012 Piston Cap Screw (Ref. 6A), No. 2270-0011 Washer (Ref. 6B), No. 1720-0029 O-Ring (Ref. 6C), No. 2150-0002 Leather Cup (Ref. 6D), No. 1720-0039 O-Ring (Ref. 6E), and No. 1440-0008 Seal Ring (Ref. 6F).	
Stock No. HYK-57	Price Ea. \$20.40
Rubber Cup Kit No. 3430-0009	
Same as above kit except with No. 2150-0005 Rubber Cups.	
Stock No. HYK-58	Price Ea. \$16.32
PISTON STACK & GUIDE PARTS KIT Leather Cup and Guide Kit No. 3430-0008	
Consists of Leather Cup Kit No. 3430-0007 plus two No. 1440-0004 Piston Guides (Ref. 7).	
Stock No. HYK-59	Price Ea. \$31.62
Rubber Cup and Guide Kit No. 3430-0010	
Consists of Rubber Cup Kit No. 3430-0009 plus two No. 1440-0004 Piston Guides.	
Stock No. HYK-60	Price Ea. \$27.20
Teflon Cup and Guide Kit No. 3430-0046	
Consists of Teflon Cup Stack Kit plus two Piston Guides.	
Stock No. HYK-61	Price Ea. \$45.56

Code 4 **A**

SUB-ASSEMBLY

Sub-Assemblies include Shaft (Ref. 12 or 15) with Cam Bearing, Grease Fitting Assembly (Ref. 10), Set Screws for Hollow Shaft (Ref. 13) and Spline Key (Ref. 14 or 16).

Code 4 **A**

REF. NO.	STOCK NUMBER	DESCRIPTION	QTY. REQ'D.	PRICE EA.
2	HY2220-0012	Piston Cap Screw	2	\$.82
3	HY2270-0011	Washer	2	.75
4	HY1830-0017	Piston Cup Spreader	2	3.26
5	HY1410-0030	Cup Backing Plate	2	3.47
6		Piston Stack Parts Kit	1	
7	HY1440-0004	Piston Guide	2	5.51
8	HY0502-5300	Connecting Rod	1	47.60
9	HY0608-5300	Safety Cover	1	2.24
10	HY2405-0006	Grease Fitting Assembly	1	5.30
12		Crankshaft Assemblies - Hollow Shaft Models, see listing	1	
13	HY2230-0017	Set Screw for Hollow Shaft	2	1.29
14	HY1610-0011	Spline Key for Hollow Shaft	1	1.16
15		Crankshaft Assemblies - Solid Shaft Models, see listing	1	
16	HY1610-0007	Spline Key for Solid Shaft	1	.95
17	HY2210-0062	Cylinder Head Bolt	8	.75
18	HY0204-5300C	Cylinder Head (Cast Iron)	2	19.72
18A	HY3396-0014	Injector Cylinder Head	1	69.36
19	HY1720-0038	O-Ring for Cylinder Head	2	.95
20	HY3430-0209	Ni-Resist Cylinder Sleeve Assembly Consists of two each of No. 1830-0033 Retainer (Ref. A), No. 1720-0079 O-Ring (Ref. V) and No. 3350-0018 Sleeve (Ref. C)	1	56.44
21	HY3430-0197	Set of four No. 3400-0073 Unitized Valve Assemblies: Consists of four each: O-Ring (Ref. A), Valve Seat (Ref. B), Valve Poppet (Ref. C), Valve Spring (Ref. D), Valve Spring Retainer (Ref. E)	1 set	50.66
22	HY0108-5300C	Body (Cast Iron)	1	88.40
24	HY2130-0007	Bearing Shield	1	.95
25	HY2008-0001	Main Bearing (Ball Bearing)	2	13.60
26	HY1810-0013	Bearing Retainer Ring (Shaft)	2	.75
27	HY1820-0025	Bearing Retainer Ring (Housing)	1	2.45
28	HY1510-0056	Mounting Base	1	10.61
29	HY2820-0040	Torque Arm - for Electric Motor Mounting	1	9.86
30	HY2820-0042	Torque Arm - for Gas Engine Mounting	1	11.76

PUMP MODEL	STOCK NO.	PRICE EA.
with 5/8" (I.D.) Hollow Shaft (Ref. 12)		
5315C-H	HY5501-5315	\$118.32
5320C-H	HY5501-5320	115.26
5325C-H	HY5501-5325	145.18
5330C-H	HY5501-5330	142.46
with 5/8" Solid Shaft (Ref. 15)		
5315C	HY5500-5315	182.58
5320C	HY5500-5320	182.58
5325C	HY5500-5325	182.58
5330C	HY5500-5330	182.58

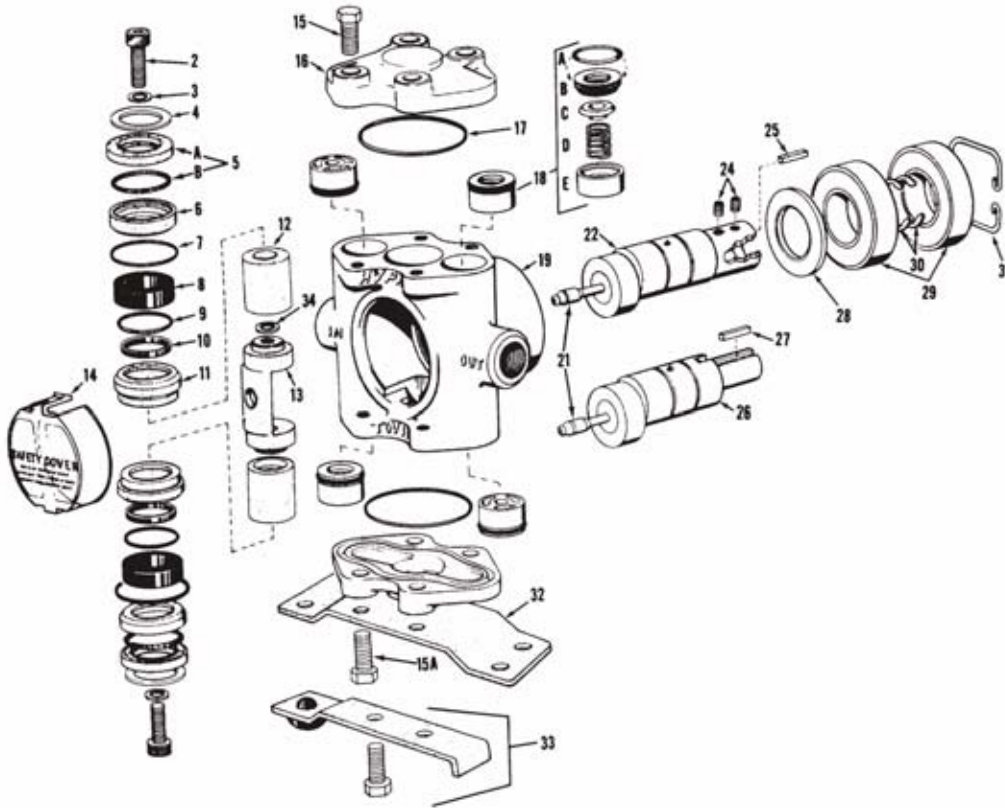
COMPLETE ASSEMBLY

Complete Assemblies include the Sub-Assembly plus parts identified by Reference Numbers 24-26.

Code 4 **A**

PUMP MODEL	STOCK NO.	PRICE EA.
with 5/8" (I.D.) Hollow Shaft (Ref. 12)		
5315C-H	HY5001-5315	\$166.26
5320C-H	HY5001-5320	153.68
5325C-H	HY5001-5325	109.48
5330C-H	HY5001-5330	125.80
with 5/8" Solid Shaft (Ref. 15)		
5315C	HY5000-5315	205.36
5320C	HY5000-5320	192.78
5325C	HY5000-5325	182.58
5330C	HY5000-5330	182.58

HYPRO TWIN PISTON CAST IRON PUMP REPLACEMENT PARTS MODELS: 5321C AND 5322C



REF. NO.	PART NUMBER	DESCRIPTION	QTY. REQ'D.	PRICE EA.
2	HY2220-0039	Socket Head Capscrew	2	\$ 2.86
3	HY2270-0042	Washer	2	.75
4	HY1830-0056	Retainer	2	1.16
5	HY2150-0027	Seal Assembly: Consists of No. 2150-0049 Seal (Ref. A), and No. 1440-0061 Support Ring (Ref. B)	2	11.76
6	HY1830-0054	Seal Retainer	2	7.00
7	HY1720-0079	O-Ring for Seal Retainer	2	.75
8	HY1440-0037	Guide	2	6.32
9	HY1720-0064	O-Ring for Seal Ring	2	.75
10	HY1440-0010	Seal Ring	2	2.18
11	HY1830-0053	Guide Retainer	2	8.30
12	HY3500-0021	Plunger (steel, Model 5321)	2	42.50
12	HY3500-0036	Plunger (ceramic, Model 5322)	2	37.74
13	HY0502-5300	Connecting Rod (Model 5321)	1	47.60
13	HY0504-5300	Connecting Rod (Model 5322)	1	51.68
14	HY0608-5300	Safety Cover	1	2.24
15	HY2210-0063	Cylinder Head Bolt	#	.95
15A	HY2210-0064	Cylinder Head Bolt for securing mounting Base to Solid Shaft Models	4	.95
16	HY0201-5300C	Cylinder Head (Cast Iron)	2	20.74
16A	HY3396-0006	Cylinder Head w/Injector	1	72.76
17	HY1720-0038	O-Ring for Cylinder Head	2	.95
18	HY3430-0197	Set of four No. 3400-0073 Unitized Valve Assemblies: Consists of four each: O-Ring (Ref. A), Valve Seat (Ref. B), Valve Poppet (Ref. C), Valve Spring (Ref. D), Valve Spring Retainer (Ref. E)	1 set	50.66
19	HY0108-5300C	Body (Cast Iron)	1	88.40
21	HY2405-0006	Grease Fitting	1	5.30
22	HY2230-0017	Hollow Shaft Sub-Assembly	1	1.29
24	HY2230-0017	Set Screws for Hollow Shaft	2	1.29
25	HY1610-0011	Spline Key for Hollow Shaft	1	\$ 1.16
26	HY1610-0007	Solid Shaft Sub-Assembly	1	.95
27	HY1610-0007	Spline Key for Solid Shaft	1	.95
28	HY2130-0007	Shield	1	.95
29	HY2008-0001	Main Bearing	2	13.60
30	HY1810-0013	Retaining Ring (Shaft)	2	.75
31	HY1820-0025	Retaining Ring (housing)	1	2.45
32	HY1510-0041	Mounting base for Solid Shaft	1	15.64
33	HY3420-0030	Torque Arm Kit Consists of No. 2820-0035 Torque Arm, No. 1450-0003 Bumper and two No. 2210-0064 Bolts	1	11.63
34	HY2270-0051	Washer (Model 5322 only)	2	.75

CRANKSHAFT ASSEMBLIES

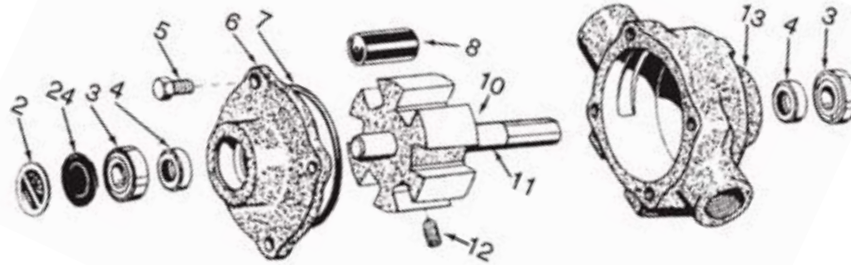
Code 4 **A**

Description	Stock No.	Price Ea.
Solid Shaft Sub-Assembly No. 5001-5321 Consists of one each of the following parts: No. 0500-5321 Crankshaft, No. 1600-0014 Crankpin Retainer, No. 2007-0029 Cam Bearing, No. 2405-0006 Grease Fitting Assembly, No. 1610-0007 Key.	HYK-62	\$123.42
Solid Shaft Assembly No. 5000-5321 Consists of one No. 5001-5321 Crankshaft Sub-Assembly, two No. 1810-0013 Retaining Rings, two No. 2008-0001 Main Bearings, one No. 2130-0007 Bearing Shield.	HYK-63	182.58
Hollow Shaft Sub-Assembly No. 5501-5321 Consists of one No. 0550-5321 Crankshaft, one No. 1600-0014 Crankpin Retainer, one No. 2007-0029 Cam Bearing, one No. 2405-0006 Grease Fitting Assembly, one No. 1610-0011 Key, two No. 2230-0017 Set Screws	HYK-64	118.32
Hollow Shaft Assembly No. 5500-5321 Consists of one No. 5501-5321 Crankshaft Sub-Assembly, two No. 1810-0013 Retaining Rings, two No. 2008-0001 Main Bearings, one No. 2130-0007 Bearing Shield.	HYK-65	182.58

PLUNGER PARTS KITS

Code 4 **A**

Description	Stock No.	Price Ea.
Plunger Stack Parts Kit No. 3430-0144 (Model 5321) Consists of two each of the following parts: No. 1440-0010-6 Seal Rings, No. 1440-0037 Guides, No. 1720-0064 O-Rings, No. 1720-0079 O-Rings, No. 2150-0027 Seal Assemblies, No. 2220-0039 Socket Head Capscrews, and No. 2270-0042 Washers.	HYK-73	\$ 39.78
Plunger Parts Kit No. 3430-0145 (Model 5321) Consists of one No. 3430-0144 Plunger Stack Parts Kit and two No. 3500-0021 Plungers	HYK-74	124.78
Plunger Stack Parts Kit No. 3430-0291 (Model 5322) Consists of two each of the following parts: No. 1440-0010 Seal Rings, No. 1440-0037 Guides, No. 1720-0064 O-Rings, No. 1720-0079 O-Rings, No. 2150-0027 Seal Assemblies, No. 2220-0039 Socket Head Capscrews, and No. 2270-0042 Washers	HYK-75	41.48
Plunger Stack Parts Kit No. 3430-0292 (Model 5322) Consists of one No. 3430-0291 Plunger Stack Parts Kit and two No. 3500-0036 Plungers	HYK-76	116.96



HYPRO ROLLER PUMP REPAIR KITS

NOTE: If seals are not required or if seals other than Viton are required, see the following table.

ally.

Code 4 **A**

PUMP SERIES	STOCK NO.	ROLLERS	SEALS	PRICE
4000	HY3430-0390	4-SUPER	2-VITON	\$26.86
	HY3430-0158	4-POLY	2-VITON	25.50
6500	HY3430-0380	6-SUPER	2-VITON	32.98
	HY3430-0175	6-POLY	2-VITON	30.60
7560	HY3430-0381	8-SUPER	2-VITON	49.30
	HY3430-0167	8-POLY	2-VITON	46.92
7700	HY3430-0384	7-SUPER	2-VITON	45.90
	HY3430-0219	7-POLY	2-VITON	41.82
1700	HY3430-0437	5-SUPER	2-VITON	62.22
	HY3430-0161	5-POLY	2-VITON	57.46
1500	HY3430-0386	6-SUPER	2-VITON	70.72
	HY3430-0164	6-POLY	2-VITON	70.72
1200	HY3430-0374	4 SUPER	2-BUNA-N	196.18

HYPRO ROLLER PUMP REPAIR PARTS

Code 4 **A**

Pump Series	Stock No.	ILL. No.	Description	Price Each
4000, 6500	HY2000-0010	3	Ball Bearing	\$ 9.18
	7560, 7700, 1700, 1500	HY2008-0001	3	Ball Bearing
1200	HY2001-0006	3	Ball Bearing	16.32
4000, 6500	HY2107-0002	4	Seal Viton°	5.78
	HY2102-0001	4	Seal Buna N ^{XX}	14.96
	HY2103-0001	4	Seal Leather ⁺⁺	25.84
7560, 7700, 1500, 1700	HY2112-0003	4	Seal Viton°	10.54
	HY2112-0001	4	Seal Buna N ^{XX}	13.60
	HY2103-0002	4	Seal Leather ⁺⁺	38.42
1200	HY2112-0008	4	Seal Buna N	25.50
	HY2112-0009	4	Seal Viton	87.38
4000, 6500, 7560, 7700	HY1720-0104	7	"O" Ring	.75
	HY1720-0008	7	"O" Ring	1.29
	HY1720-0014	7	"O" Ring	1.43
1700	HY1720-0099	7	"O" Ring	1.90
1500	HY1720-0003	7	"O" Ring	2.58
1200	HY1720-0127	7	"O" Ring	2.11

Code 4 **A**

Pump Series	Stock No.	ILL. No.	Description	Price Each
4000	HY1005-0002	8	Super Roller	\$3.60
6500, 7560, 7700	HY1005-0004	8	Super Roller	3.33
	HY1000-0004	8	Nylon Roller	3.72
	HY1002-0004	8	Poly Roller	3.72
	HY1055-0004	8	Teflon Roller	11.36
	HY1052-0004	8	Rubber Roller	20.40
1700, 1500	HY1005-0005	8	Super Roller	7.82
	HY1002-0005	8	Poly Roller	6.87
	HY1055-0005	8	Teflon Roller	27.54
1200	HY1005-0006	8	Super Roller	35.70
6500	HY0300-6600C	10	Rotor & Shaft	102.00
7560	HY0308-7560C	10	Rotor & Shaft	124.91
7700	HY0300-7700C	10	Rotor & Shaft	127.50
1700	HY0301-1700C	10	Rotor & Shaft	154.36
1500	HY0300-1502C	10	Rotor & Shaft	233.92
4000	HY0500-6600	11	Shaft Only	32.30
6500	HY0500-6600	11	Shaft Only	32.30
7560	HY0500-7400	11	Shaft Only	54.06
7700	HY0500-7400	11	Shaft Only	54.06
1700	HY0500-1502	11	Shaft Only	60.18
1500	HY0500-1502	11	Shaft Only	60.18
1200	HY0500-1200	11	Shaft Only	216.58



HYPRO

**QUICK COUPLER
REPLACEMENT PARTS**



ACE

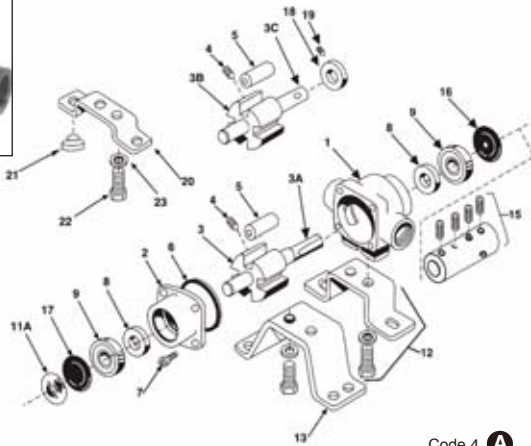
Code 4 **A**

Stock No.	Description	Price Ea.
HY3250-0004	Ball Plastic	\$.95

Stock No.	Description	Price Ea.
AC41470	Ball - SS	\$ 1.86
AC41450	Plastic Retainer	\$25.38

HYPRO SERIES 4001 & 4101 REPAIR PARTS

Code 4 **A**



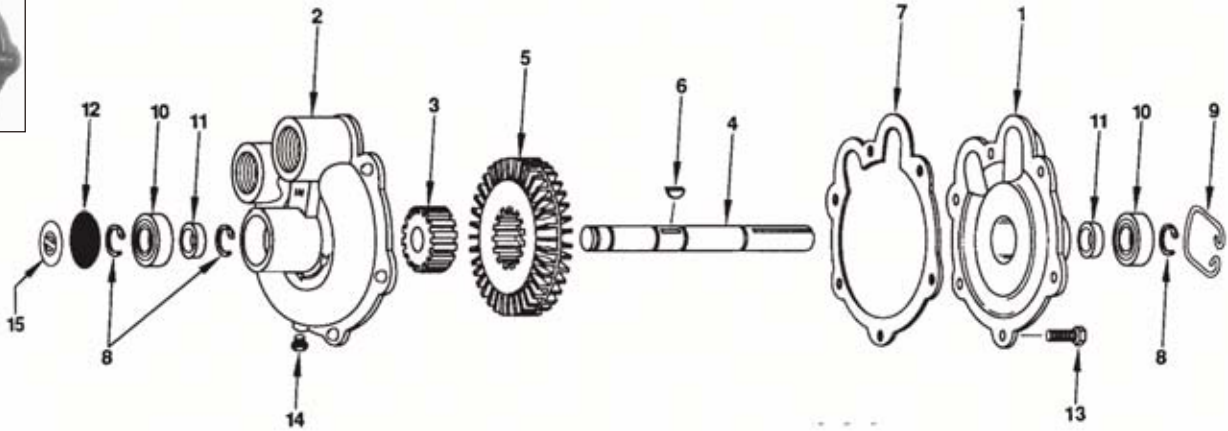
Code 4 **A**

Stock No.	Description	Price Ea.
HY3430-0390	Consists of: (4) Ref. 5 Super Rollers, (1) Ref. 6 O-Ring Gasket, (2) Viton Seals.	\$26.86
HY3430-0158	Consists of: (4) Ref. 5 Polypropylene Rollers, (1) Ref. 6 O-Ring Gasket, (2) Ref. 8 Viton Seals.	\$25.50

Ref. No.	Qty. Req'd.	Stock No.	Description	Price Ea.
3A	1	HY0500-6600	Shaft Only	\$32.30
4	1	HY2230-0002	Rotor Set Screw	1.09
4	1	HY2230-0016	Rotor Set Screw (SilverCast Only)	2.79
5	4	HY1005-0002	Super Rollers (Std.)	3.60
5	4	HY1002-0002	Polypropylene Rollers (Optional)	3.22
5	4	HY1001-0002	Buna-N Rollers (Optional)	44.88
5	4	HY1055-0002	Teflon Rollers (Optional)	12.72
6	1	HY1720-0104	O-Ring Gasket for Endplate	.75
7	4	HY2220-0018	Endplate Screw	.75
8	2	HY2107-0002	Viton seal (Std.)	5.78
8	2	HY2102-0001	Buna-N Seal (Optional)	14.96
8	2	HY2103-0001	Leather Seal (Optional)	25.84
9	2	HY2000-0004	Ball Bearing	9.24
12	1	HY3420-0024	Base Kit for mounting pump to electric motors with 3-1/2" shaft centerlines	29.24
13	1	HY3420-0025	Base Kit for mounting pump to electric motors with 4-3/16" shaft centerlines	31.28
14	1	HY3420-0026	Base Kit for replacing old style 4000 series pumps with new 4001/4101 series pumps. Mounting plate conforms to height only.	"
15	1 kit	HY1320-0016	Adapter for gas engine mount	36.72
16	1	HY2300-0023	Shaft Bearing Cover	1.29
17	1	HY2300-0021	Rear Bearing Cover	1.16

PLEASE CONTACT US FOR PRIC-

HYPRO SERIES MODEL 9600C REPAIR PARTS



Code 4 **A**

Code 4 **A**

REF. NO.	STOCK NUMBER	DESCRIPTION	QTY. REQ'D.	PRICE EA.
1	HY0150-9600C	Body	1	\$214.54
2	HY0250-9600C	Housing	1	234.26
3	HY1201-0015	Impeller Insert	1	111.52
4	HY0500-9600P	Shaft, stainless steel, 15/16" diameter, 1/4" keyway	1	106.08
5	HY0400-9600P	Impeller, corrosion resistant Valox®	1	93.84
6	HY1610-0045	Key-woodruff	1	4.22

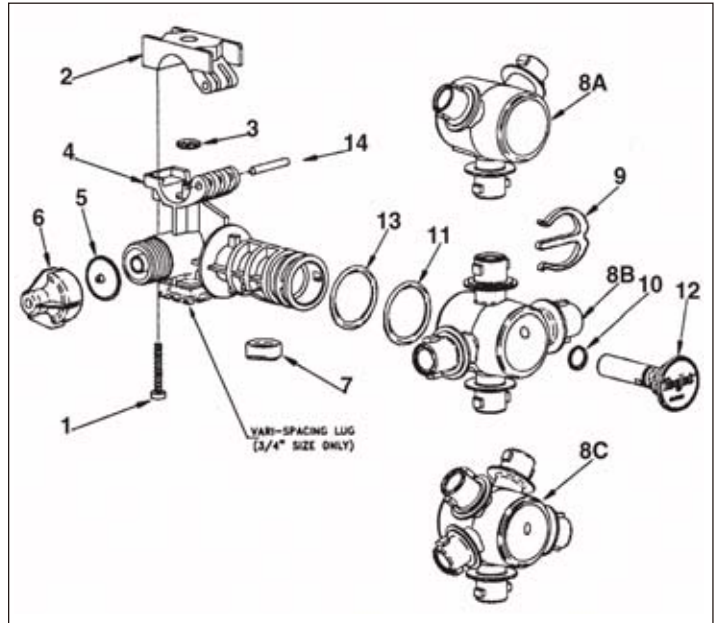
REF. NO.	STOCK NUMBER	DESCRIPTION	QTY. REQ'D.	PRICE EA.
7	HY1710-0015	Gasket	1	\$ 4.42
8	HY1810-0008	Retainer Ring - external	3	1.22
9	HY1820-0025	Retainer ring - internal	1	2.45
10	HY2008-0001	Sealed Ball Bearing	2	13.60
11	HY2112-0003	Seal - Viton	2	10.54
12	HY2300-0020	Bearing cover	1	1.16
13	HY2210-0026	Screw, hex head	6	.75
14	HY2406-0007	Pipe plug	1	.82

Stock No.	Mfg. No.	Description	Price Ea.
HYK-49	3430-0347	Seal & O-Ring repair Kit (1) Ref. 11 seal (Viton) and (1) Ref. 7 o-ring	\$25.05

TEEJET QJ360 WET BOOM PARTS

Code 4 **A**

ITEM	STOCK NO.	MFG. NO.	DESCRIPTION	PRICE EA.
1	1210	CP48255-1-1/4-430SS	Screw	\$ 2.57
2	1190	CP48223-NYB	1/2" Clamp	1.34
2	1199	CP48221-NYB	3/4" Clamp	1.34
2	1189	CO48222-NYB	1" Clamp	1.34
##3	2607	CP7717-2/110-BU	O-Ring, Buna-N	.44
##3	2606	CP7717-2-110-VI	O-Ring, Viton (opt.)	.68
4	1188	CP38942-NYB	1/2" Body	3.89
4	1208	CP38925-NYB	3/4" Body	3.89
4	1187	CP38926-NYB	1" Body	3.89
##5	2609	CP21953-EPR	Diaphragm - EPR	.31
##5	2610	CP21953-VI	Diaphragm - Viton (opt.)	1.12
6	2611-2	21950-2-NYB	ChemSaver 2 lb.	2.84
6	2611-8	21950-8-NYB	ChemSaver 8 lb.	2.84
6	2611-10	21950-10-NYB	ChemSaver 10 lb (std.)	2.84
6	2611-20	21950-20-NYB	ChemSaver 20 lb.	2.84
6	2611-30	21950-30-NYB	ChemSaver 30 lb.	2.84
##7	1186	CP38943-1-VI	Seal, Viton	4.28
8A	1213	CP38921-NYB	#363 Turret	3.55
8B	1214	CP38922-NYB	#364 Turret	3.80
8C	1215	CP38923-NYB	#365 Turret	4.07
9	1216	CP38931-NYB	E-Clip	1.13
##10	2833	CP7717-2/13-EPR	O-Ring - EPR	2.53
##10	1197	CP7717-2/13-VI	O-Ring - Viton (opt.)	4.75
##11	1196	CP7717-2-216-EPR	O-Ring - EPR	2.52
##11	1195	CP7717-2/216-VI	O-Ring - Viton (opt.)	7.04
12	1219	CP38930-NYB	Plug	1.13
##13	1192	CP7717-2-129-EPR	O-Ring - EPR	.67
##13	1191	CP7717-2-129-VI	O-Ring - Viton (opt.)	1.01
14	1193	CP48256-SS	Pivot Pin	.66
REPAIR KITS				
##	SSK-59	PK-ABQJ360-KIT	Includes all items marked with ##	10.90
##	SSK-60	PK-ABQJ360-VI-KIT	Includes all items marked with ##	12.86



TEEJET QJ360 DRY BOOM PARTS

Code 4 **A**

ITEM	STOCK NO.	MFG. NO.	DESCRIPTION	PRICE EA.
1	1210	CP48255-1-1/4-430SS	Screw	\$ 2.57
2	1199	CP48221-NYB	3/4" Clamp	1.34
##3	2607	CP7717-2/110-BU	O-Ring, Buna-N	.44
##3	2606	CP7717-2-110-VI	O-Ring, Viton	.68
4	1208	CP38925-NYB	3/4" Body	3.89
##5	2609	CP21953-EPR	Diaphragm - EPR	.31
##5	2610	CP21953-VI	Diaphragm - Viton	1.12
6	2611-2	21950-2-NYB	ChemSaver 2 lb.	2.84
6	2611-8	21950-8-NYB	ChemSaver 8 lb.	2.84
6	2611-10	21950-10-NYB	ChemSaver 10 lb (std.)	2.84
6	2611-20	21950-20-NYB	ChemSaver 20 lb.	2.84
6	2611-30	21950-30-NYB	ChemSaver 30 lb.	2.84
7	1198	CP38943-1-VI	Seal, Viton	4.28
8A	1213	CP38921-NYB	#363 Turret	3.55
8B	1214	CP38922-NYB	#364 Turret	3.80
8C	1215	CP38923-NYB	#365 Turret	4.07
9	1216	CP38931-NYB	E-Clip	1.13
##10	2833	CP7717-2/13-EPR	O-Ring - EPR	2.53
##10	1197	CP7717-2/13-VI	O-Ring - Viton (opt.)	4.75
##11	1196	CP7717-2-216-EPR	O-Ring - EPR	2.52
##11	1195	CP7717-2/216-VI	O-Ring - Viton (opt.)	7.04
12	1219	CP38930-NYB	Plug	1.13
13	5462	CP38936-NYB	1/2" Single H.B.	1.84
13	5463	CP38938-NYB	3/4" Single H.B.	1.84
13	5464	CP38940-NYB	1" Single H.B.	1.84
14	5465	CP38937-NYB	1/2" Double H.B.	2.18
14	5466	CP38939-NYB	3/4" Double H.B.	2.18
14	5467	CP38941-NYB	1" Double H.B.	2.18
15	1194	CP38948-NYB	1/2" NPT x 3/4" H.B.	2.18
16	1193	CP48256-SS	Pivot Pin	.66
##17	1192	CP7717-S-129-EPR	O-Ring, EPR	.67
##17	1191	CP7717-2-129-VI	O-Ring, VI	1.01
REPAIR KITS				
##	SSK-59	PK-ABQJ360-KIT	Includes all items marked with ##	10.90
##	SSK-60	PK-ABQJ360-VI-KIT	Includes all items marked with ##	12.86

