

QUICK TEEJET SINGLE NOZZLE BODIES WET BOOM

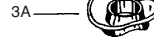
Code 4 **A**

ITEM	STOCK NO.	MFG. NO.	DESCRIPTION	PRICE EA.
1	1549	CP20123-1-1/4	Screw 1/2" & 3/4"	\$ 2.57
1	1550	CP17674-1-3/8	Screw 1"	2.48
2	2614	CP24226-NYB	Clamp 1/2"	2.24
2	2615	CP24222-NYB	Clamp 3/4"	2.24
2	2616	CP17553-PPB	Clamp 1"	3.12
3	2607	CP7717-2/110-BU	O-Ring, Buna (std.)	.44
3	2606	CP7717-2/110-VI	O-Ring, Viton (opt.)	.68
3A	2608	CP18294-EPR	Seal	1.36
3A	2605	CP18294-VI	Seal	6.08
4	2617	CP22568-NYB	Body 1/2"	1.67
4	2618	CP22569-NYB	Body 3/4"	3.99
4	2619	CP18667-NYB	Body 1"	3.84
4A	2620	CP22403-NYB	Body 1/2"	3.77
4A	2621	CP22404-NYB	Body 3/4"	3.77
4A	2622	CP17559-NYB	Body 1"	7.36
4B	2600	CP24225-NYB	Body 1/2"	5.10
4B	2601	CP24220-NYB	Body 3/4"	5.10
4B	2602	CP24227-NYB	Body 1"	5.10
5	1544	CP6227-TEF	Diaphragm Tef. (opt.) (use with item B)	.55
6	2609	CP21953-EPR	Diaphragm EPR (std.)	.31
7	2610	CP21953-VI	Diaphragm Viton (opt.)	1.12
7	2611-2	CP21950-2-NYB	Cap 2 lb. (opt.)	2.84
7	2611-8	CP21950-8-NYB	Cap 8 lb. (opt.)	2.84
7	2611-10	CP21950-10-NYB	Cap 10 lb. (std.)	2.84
7	2611-20	CP21950-20-NYB	Cap 20 lb. (opt.)	2.84
8	1543	CP24221-SSPV	Clip	2.00
9	1545	CP7717-2/109-EPR	O-Ring EPR	.91
10	1546	CP24224-CE	Button	.37
11	1548	CP24217-CE	Plate	8.87

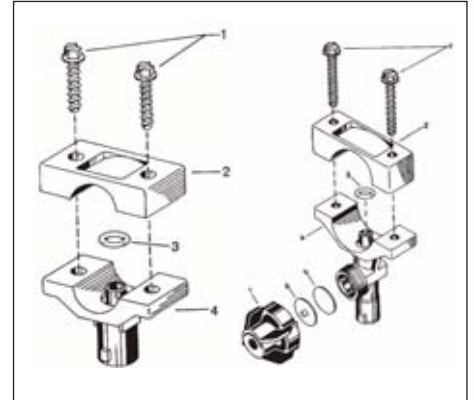
TEFLON DIAPHRAGM

#1544 (CP6227-TEF)

When the 1544 Teflon Diaphragm is used, it is placed in the assembly in front of the 2609 Rubber Diaphragm.



NOTE: Item No. 3A is a special seal designed to go on booms which already have 7/16" dia. drilled hole or 1/4" NPT (F) tapped holes. When used, it replaces item No. 3.

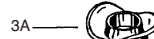


QUICK TEEJET TRIPLE NOZZLE BODIES WET BOOM

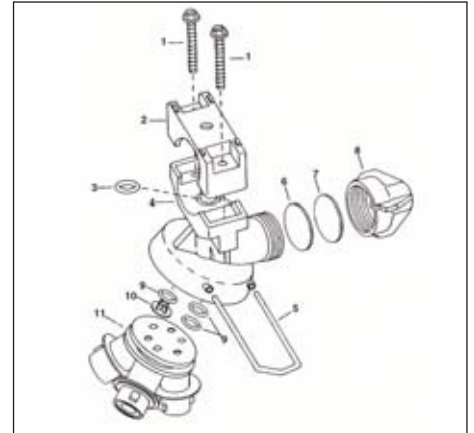
TEFLON DIAPHRAGM

#1544 (CP6227-TEF)

When the 1544 Teflon Diaphragm is used, it is placed in the assembly in front of the 2609 Rubber Diaphragm.



NOTE: Item No. 3A is a special seal designed to go on booms which already have 7/16" dia. drilled hole or 1/4" NPT (F) tapped holes. When used, it replaces item No. 3.



QUICK TEEJET TRIPLE NOZZLE BODIES DRY BOOM

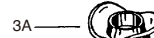
Code 4 **A**

ITEM	STOCK NO.	MFG. NO.	DESCRIPTION	PRICE EA.
1	5590	18645-NYB-540	"L" 1/2" H.B.	\$ 2.96
1	5591	18724-NYB-785	"L" 3/4" H.B.	2.96
1A	5592	18646-NYB-540	"T" 1/2" H.B.	2.96
1A	5593	18725-NYB-785	"T" 3/4" H.B.	2.96
2	1542	CP24232-NYB	Main Body	4.99
3	1543	CP24221-SSPV	Main Body	2.00
4	1544	CP6227-TEF	Diaphragm Tef. (opt.)	.55
5	2609	CP21953-EPR	Diaphragm EPR	.31
5	2610	CP21953-VI	Diaphragm Viton (opt.)	1.12
6	2611-2	CP21950-2-NYB	Cap 2 lb. (opt.)	2.84
6	2611-8	CP21950-8-NYB	Cap 8 lb. (std.)	2.84
6	2611-10	CP21950-10-NYB	Cap 10 lb. (opt.)	2.84
6	2611-20	CP21950-20-NYB	Cap 20 lb. (opt.)	2.84
6	2611-30	CP21950-30-NYB	Cap 30 lb. (opt.)	2.84
7	1545	CP7717-2/109-EPR	O-Ring EPR	.91
8	1546	CP24224-CE	Button	.37
9	1548	CP24217-CE	Plate	8.87

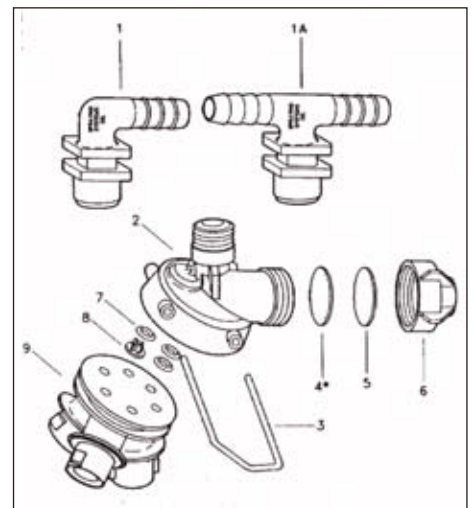
TEFLON DIAPHRAGM

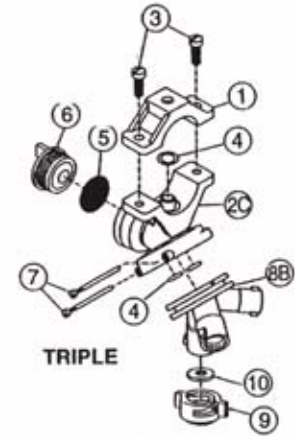
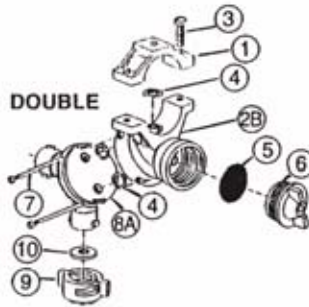
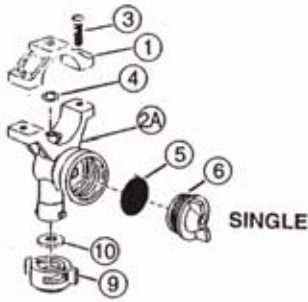
#1544 (CP6227-TEF)

When the 1544 Teflon Diaphragm is used, it is placed in the assembly in front of the 2609 Rubber Diaphragm.



NOTE: Item No. 3A is a special seal designed to go on booms which already have 7/16" dia. drilled hole or 1/4" NPT (F) tapped holes. When used, it replaces item No. 3.





**STANDARD NOZZLE SYSTEM
BODIES ACCEPTS STANDARD CAPS**

Code 4 **A**

Ill. No.	Stock No.	Description	Price Ea.
1	2625	Top Clamp 3/4"	\$1.18
1	2626	Top Clamp 1"	1.18
2A	2634	Single Body 3/4"	3.74
2A	2635	Single Body 1"	3.74
2B	2627	Double Body 3/4"	4.88
2B	2628	Double Body 1"	4.88
2C	2630	Triple Body 3/4"	5.35
2C	2631	Triple Body 1"	5.35

Code 4 **A**

Ill. No.	Stock No.	Description	Price Ea.
3	2638	Screw	.24
4	2637	"O" Ring - Buna N	.13
5	2633	Diaphragm - Fairprene	.56
5	2623	Diaphragm - Viton (opt)	1.70
6	2624	Pressure Pad	1.91
7	2639	Screw Swivel	.52
8A	2629	Dual Swivel	3.25
8B	2636	Triple Swivel	4.34
9/10		See our catalogue	

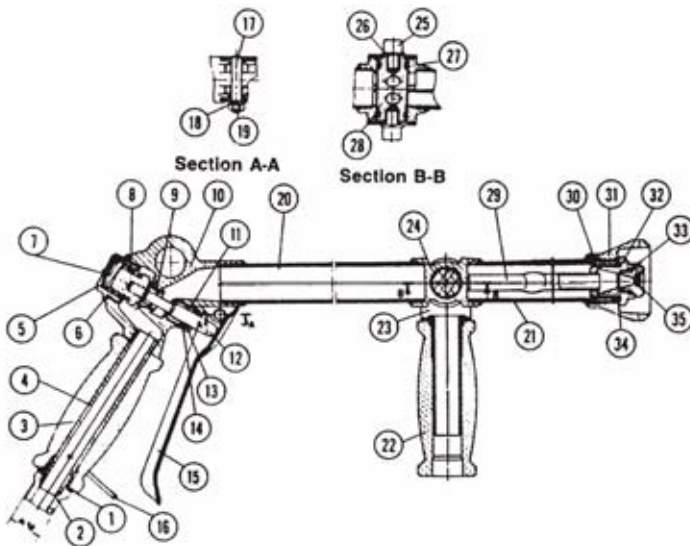
COMBO JET BODIES

All Other Parts are Interchangeable

Code 4 **A**

Ill. No.	Stock No.	Description	Price Ea.
2A	2634C	Single Combo 3/4"	\$3.74
2A	2635C	Single Combo 1"	3.74
8A	2627C	Double Combo 3/4"	3.25
8A	2627C	Double Combo 1"	3.25
8B	2630C	Triple Combo 3/4"	4.34
8B	2630C	Triple Combo 1"	4.34
9/10		See our catalogue	

**ARAG TREE GUN REPLACEMENT PARTS
STOCK NO. 3283 & 3284**



Code 4 **A**

ILL. No.	Stock No.	Description	Price Ea.
*	ME7.302.001	Repair Kit*	\$10.84
8	MEBR00617	Poppet	2.79
28	MEBR00637	Regulator	23.30
31	MEBR00640	Cap for #3283	3.83
31	MEBR00514	Cap for #3284	3.83

*INCLUDES POPPET AND ALL O RINGS REQUIRED

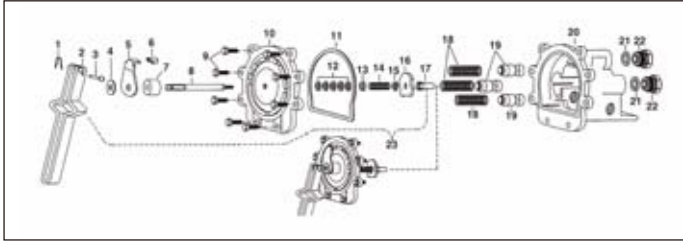
**ARAG & BRAGLIA TREE GUN
CERAMIC TIPS**

Stock No.	Description	Price Ea.
4346	Ceramic Tip 1mm	\$11.24
4347	Ceramic Tip 1.2mm	
4348	Ceramic Tip 1.5mm	
4349	Ceramic Tip 1.8mm	\$11.24
4350	Ceramic Tip 2mm	
4351	Ceramic Tip 2.3mm	
4352	Ceramic Tip 2.5mm	\$11.24
4353	Ceramic Tip 3mm	
4354	Ceramic Tip 3.5mm	

STAINLESS STEEL TIPS

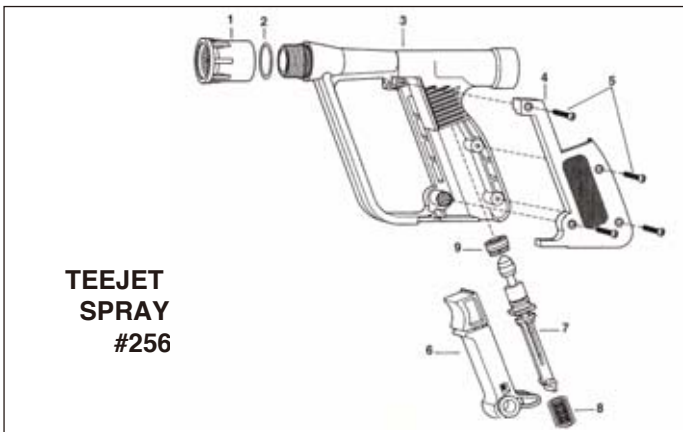
Stock No.	Description	Price Ea.
4355	S. Steel 3.5mm	\$20.39
4356	S. Steel 4mm	
4357	S. Steel 4.5mm	
4358	S. Steel 5mm	\$20.39
4359	S. Steel 5.5mm	
4360	S. Steel 6mm	
4361	S. Steel 7mm	

TEEJET TEEVALVE



Code 4 **A**

ITEM	STOCK NUMBER	MFG. NO.	DESCRIPTION	PRICE EA.
H1	1366	CP8012-1/2-SS	1/16" x 1/2" Cotter Pin, SS.	\$ 1.19
2	2761	CP6849-1-IZP	Handle and Rivet	7.30
H3	1367	CP7206-IZP	Rivet	4.33
H4	2763	CP6976-IZP	Handle Washer	3.08
5	2764	CP12128-IZP	Selector Shield	4.81
H6	2765	CP12127-CE	Selector Tip, Celcon	3.18
7	2766	CP12129-CE	Spacer, Celcon	4.27
8	2767	CP6972-SS	Main Stem SS.	8.65
H9	2769	CP20607-IZP	Cap Screw, (8 req'd.)	11.22
10	2771	CP12126-AL	Cover Plate	40.65
H11	2770	CP6975-BU	Gasket, Buna-N	6.97
H12	2772	CP5809-LEA	Packing, Leather (5 req'd.)	1.19
13	2773	CP12130-SS	Packing Gland	6.18
14	2774	CP7254-SS	Main Spring	3.06
15	2776	CP7987-SS	Washer	1.19
16	2775	CP6971-AL	Selector Cam	3.47
17	2782	CP6973-SS	Guide Nut	4.32
18	2777	CP6959-SS	Valve Spring	2.56
19	2778	CP6956-CE	Valve Stem	3.20
H21	2784	CP6958-POL	Seat Poly.	5.34
22	2780	CP7262-AL	Outlet 1/2" FPT	7.84
	2783	CP7350-AL	Outlet 3/4" FGHT	7.84
	2781	CP7902-AL	Outlet 3/4" FPT	7.84
23	SSK-34	ABCK-17-KIT	Cover Assembly (Items 1 thru 17)	44.66
H	SSK-51	PK-AB17-KIT	(Items marked with H)	29.60
H	SSK-36	AB17.1-KIT	(Includes AB17-Kit plus item 10)	58.60

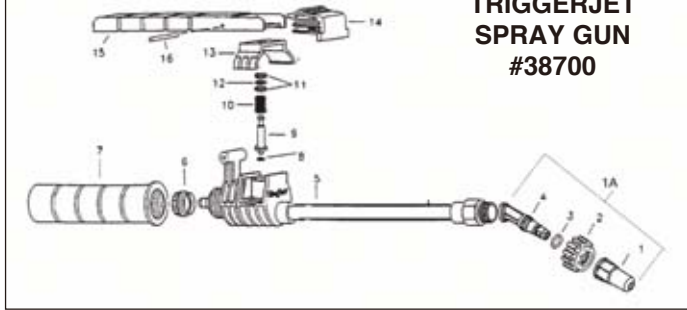


TEEJET SPRAY #256

Code 4 **A**

ITEM	STOCK NUMBER	MFG. NO.	DESCRIPTION	PRICE EA.
1	4364	CP25670-1.5-NY	Nozzle Tip, Nylon (gray)	\$11.10
1	4365	CP25670-3.0-NYB	Nozzle Tip, Nylon (black)	11.10
1	4366	CP25670-4.0-NY	Nozzle Tip, Nylon (red)	11.10
H2	1321	CP7717-2/22-VI	O-Ring, Viton	2.11
3	1322	CP25661-3/4-NYB	Body, Nylon	53.80
4	1323	CP25662-NYB	Cover	19.17
5	1325	CP25676-9/16-IZP	#8 Plastite Screw	.81
6	1326	25675-NY	Trigger Sub-assembly	15.55
H7	1327	25665	Stem - see Parts Kit	
8	1328	CP25671-302SS	Spring	3.69
H9	1329	25663	Seating - see Parts Kit	
H	SSK-33	PK-AB25660-KIT	Spare Parts Kit	15.38

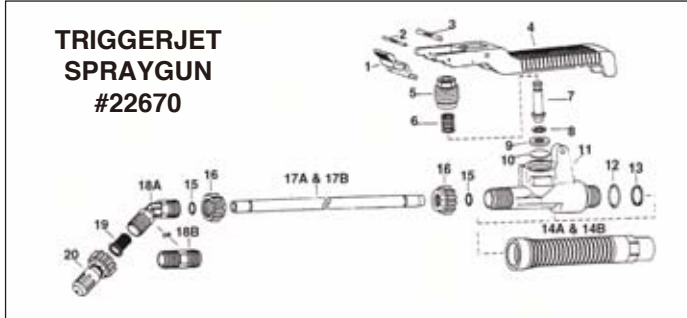
TRIGGERJET SPRAY GUN #38700



Code 4 **A**

ITEM	STOCK NUMBER	MFG. NO.	DESCRIPTION	PRICE EA.
1	4330-1	CP38721-8-PP	Orifice Insert, Grey	\$ 3.98
1	4330-2	CP38721-12-PP	Orifice Insert, Brown	3.98
1	4330-3	CP38721-18-PP	Orifice Insert, Orange	3.98
2	1170	CP22668-PP	Cap, Polypropylene	1.16
H3	1162	CP7717-5-EPR	O-Ring, EPDM Rubber	1.90
4	1159	CP38722-PP	Core, Polypropylene	3.77
1A	4332	CP38720-PPB-X8	Adjustable Conejet	5.18
1A	4333	CP38720-PPB-X12	Adjustable Conejet	5.18
1A	4334	CP38720-PPB-X18	Adjustable Conejet	5.18
5	1157	CP38711-PP	Body Sub-assembly, Poly (for 38700-1/4-PP-X)	6.74
5	1154	CP38711-1-PP	Body Sub-assembly, Poly (for 38700-3/8-PP-X)	6.74
6	1153	CP38708-PP	Hose Clamp, Poly (for 38700-1/4-PP-X)	2.29
6	1152	CP38708-1-PP	Hose Clamp, Poly (for 38700-3/8-PP-X)	2.29
7	1150	CP38707-PP	Handle, Poly (for 38700-1/4-PP-X)	4.19
7	1147	CP38707-1-PP	Handle, Poly (for 38700-3/8-PP-X)	4.19
H8	1144	CP7717-2-103/90-BU	O-Ring, Buna-N (90 Durometer)	1.34
9	1143	CP38709-NYB	Stern, Nylon (black)	2.41
H10	1140	CP38705-PHSS	Spring, Stainless Steel Type 17-7PH	1.21
H11	1139	CP38706-NY	Washer, Nylon (2 req'd)	1.33
H12	1138	CP7717-2-108-BU	O-Ring, Buna-N	1.21
13	1135	CP38702-PP	Spring Retainer, Polypropylene	1.84
14	1134	CP38704-NYB	Trigger Lock, Nylon (Black)	2.42
15	1133	CP38703-PP	Trigger, Polypropylene	1.43
H16	1183	CP22672-IZP	Groove Pin, Steel - Zinc Plated	.90
H	SSK-8	PK-AB38700-KIT	(Items marked with H)	2.74

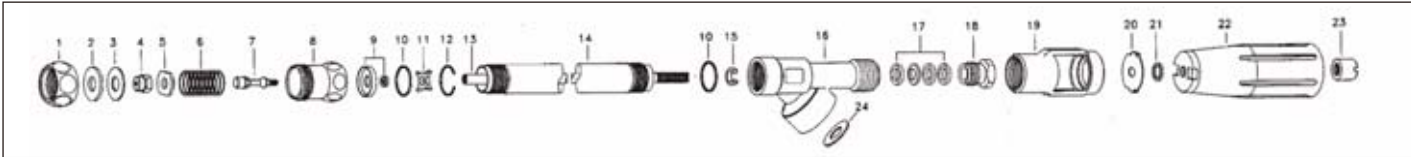
TRIGGERJET SPRAYGUN #22670



Code 4 **A**

ITEM	STOCK NUMBER	MFG. NO.	DESCRIPTION	PRICE EA.
1	1185	CP22656-NY	Trigger Lock	\$ 1.46
2	1184	CP22671-IZP	Pin, Steel	.90
3	1183	CP22672-IZP	Pin, Steel	.90
4	1182	CP33655-PP	Trigger	2.62
5	1181	CP22658-PP	Spring Retainer	1.76
H6	1180	CP22660-PHSS	Spring	.94
7	1179	CP22657-NY	Stem, Nylon	1.34
H8	1178	CP22676-NEO	Gasket, Neoprene	1.13
9	1177	CP22659-PP	Washer, Polypropylene	1.76
H10	2603	CP22661-VI	Diaphragm, viton	3.49
11	1176	CP22651-PP	Body, Polypropylene	6.86
H12	1175	CP7717-2/016-VI	O-Ring, Viton	6.24
13	1174	CP99334-VI	Gasket, Viton	.77
14A	1578	CP22654-PP	Handle (1/4" FPT, Conn.)	4.40
H15	2606	CP7717-2/110-VI	O-Ring, Viton	.68
16	1170	CP22668-PP	Cap, Polypropylene	1.16
17A	1169	CP22663-15-FRP	Extension Tube 15"	7.90
17B	1167	CP22663-24-PP	Extension Tube 24"	12.89
18A	1165	CP22673-PP	45° Adapter, Poly	1.36
18B	1164	CP22664-PP	Straight Adapter	1.40
19	15P-50	8079-PP-50	Strainer, Poly SS Screen	.89
20	4335P	5500-PPB-X8-VI	Adjustable ConeJet Tip Asp.	8.10

MODEL: AA2, 2-AL, 2A & 2A-AL



BRASS SPRAY GUNS

Code 4 **A**

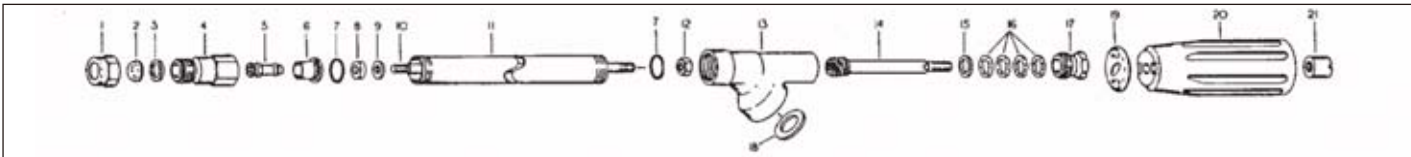
REF. NO.	STOCK NUMBER	MFG. NO.	DESCRIPTION	PRICE EA.
1	2572	CP5804	Orifice Insert Cap Brass	\$ 7.70
2	2574	CP6106	Disc Adapter	1.96
HH3	2552	CP5805-BU	Orifice Gasket, Buna-N	2.85
4	See catalogue			—
HH5	2553	CP5800-NYB	Spring Pressure Plate	5.04
HHH6	2554	CP5735-SS	Coil Spring	3.91
HH7	2576	CP5797	Adjusting Stem End, Brass	6.03
8	2577	CP5801	Spray Housing, Brass	7.39
HH9	2578	CP5833	Seat Sub-assembly	2.66
HH10	2558	CP45198-NYB	Collar Gasket (2 req'd)	1.19
HH11	2579	CP5802	Guide Washer, Brass	4.02
HHH12	2560	CP5814-SS	Snap Ring	2.77
13	2580	CP5819	Adjusting Stem (for 2A), Brass	10.62
13	2581	CP5796	Adjusting Stem (for 2), Brass	12.57
14	2582	CO5795	Tubing (for 2), Brass	20.85
14	2583	CP5818	Tubing (for 2A), Brass	11.42
15	2565	CP17833-302SS	Retaining Ring	1.44
16	2584	CP5792-GH	Inlet Body, Brass	78.51
HH17	2772	CP5809-LEA	Packing (4 req'd)	1.19
18	2585	CP6157	Packing Screw, Brass	2.50
19	2586	CP5794	Adjusting Sleeve, Brass	33.35
HHH20	2569	CP5812-INP	Adjusting Sleeve Coller	4.51
21	2570	CP5815-IZP	Hand Grip Washer	2.85
HH22	2517	CP5994-NY	Hand Grip, Nylon	7.47
23	2518	CP5813	Hand Grip Nut	2.02
HH24	2571	CP5808-POL	Garden Hose Gasket	3.26
HH	SSK-44	PK-AB2-KIT	Includes all items marked HH	13.28
HH, HHH	SSK-45	AB2S-KIT	Includes all items marked HH, HHH & HHHH	29.36

ALUMINUM SPRAY GUNS

Code 4 **A**

REF. NO.	STOCK NUMBER	MFG. NO.	DESCRIPTION	PRICE EA.
1	2550	CP5804-AL	Orifice Insert Cap	\$ 7.70
2	2551	CP6106-AL	Disc Adapter	1.96
HH3	2552	CP5805-BU	Orifice Gasket, Buna-N	2.85
4	See catalogue			—
HH5	2553	CP5800-NYB	Spring Pressure Plate	5.04
HHH6	2554	CP5735-SS	Coil Spring	3.91
HH7	2555	CP5797-AL	Adjusting Stem End	7.15
8	2556	CP5801-AL	Spray Housing	7.70
HH9	2257	CP5833-AL	Seat Sub-assembly	2.81
HH10	2558	CP45198-NYB	Collar Gasket (2 req'd)	1.19
HH11	2259	CP5802-AL	Guide Washer	4.02
HHH12	2560	CP5814-SS	Snap Ring	2.77
13	2561	CP5819-AL	Adjusting Stem (for 2A-AL)	10.49
13	2562	CP5796-AL	Adjusting Stem (for 2-AL)	11.33
14	2563	CP5795-AL	Tubing (for 2-AL)	16.65
14	2564	CP5818-AL	Tubing (for 2A-AL)	12.61
15	2565	CP17833-302SS	Retaining Ring	1.44
16	2566	CP5792-GH-AL	Inlet Body	29.29
HH17	2772	CP5809-LEA	Packing Leather (4 req'd)	1.19
18	2567	CP6157-ALEF	Packing Screw	3.67
19	2568	CP5794-AL	Adjusting Sleeve	14.72
HHH20	2569	CP5812-INP	Adjusting Sleeve Coller	4.51
21	2570	CP5815-IZP	Hand Grip Washer	2.85
HH22	2517	CP5994-NY	Hand Grip	7.47
23	2545	CP5813-AL	Hand Grip Nut	2.02
HH24	2571	CP5808-POL	Garden Hose Gasket	3.26
HH, HHH	SSK-42	PK-AB2-AL-KIT	Includes all items marked HH & HHH	14.55
HH, HHH, HHHH	SSK-43	AB2S-AL-KIT	Includes all items marked HH, HHH & HHHH	33.39

MODEL: AA12, AA12-AL, AA12A & AA12A-AL



BRASS SPRAY GUNS

Code 4 **A**

REF. NO.	STOCK NUMBER	MFG. NO.	DESCRIPTION	PRICE EA.
1	5787	CP1325	Cap, Brass	\$ 1.03
2	—	See Catalogue	Orifice Disc	—
HH3	2500	CP5871-BU	Gasket, Buna-N	2.85
4	2501	CP5869	Housing	5.53
HH5	2590	10516	Core Body Sub-assembly, Brass	13.85
6	2503	CP5872	Guide Sleeve	2.38
7	2504	CP4143-CU	Gasket (2 req'd)	1.19
HH8	2505	CP5798-NY	Seat Plate	4.71
HH9	2506	CP7985	Washer, Brass	2.01
10	2508	CP5879	Stem (AA12), Brass	7.41
10	2591	CP6022	Stem (AA12A), Brass	6.80
11	2507	CP5878	Tubing (AA12), Brass	17.77
11	2592	CP6021	Tubing (AA12A), Brass	10.54
12	2509	CP6618	1/4-28 Nut, Brass	1.16
13	2593	CP5866-12/GH	Body, GHT, Brass	45.60
14	2513	CP5882	Hand Grip Stud	8.76
15	2514	CP5883	Packing Washer	1.19
16	2772	CP5809-LEA	Packing (4 req'd)	1.19
17	2515	CP5811	Packing Screw	2.68
18	2571	CP5808-POL	Garden Hose Gasket	3.26
19	2516	CP5884-INP	Hand Grip Collar	6.40
20	2517	CP5994-NY	Hand Grip, Nylon	7.47
21	2518	CP5813	Hand Grip Nut	2.02
HH	SSK-46	PK-AB12A-KIT	Includes all items marked with HH	22.01

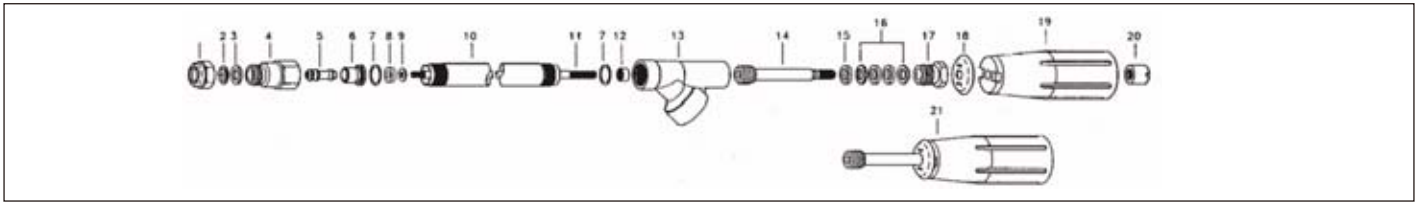
ALUMINUM SPRAY GUNS

Code 4 **A**

REF. NO.	STOCK NUMBER	MFG. NO.	DESCRIPTION	PRICE EA.
1	2520	CP1325-AL	Cap, Aluminum	\$.99
2	—	See Catalogue	Orifice Disc	—
HH3	2500	CP5871-BU	Gasket, Buna-N	2.85
4	2521	CP5869-AL	Housing	5.35
HH5	2502	10516-AL	Core Sub-assembly	13.34
6	2523	CP5872-AL	Guide Sleeve	2.38
7	2524	CP4143-AL	Gasket (2 req'd)	1.19
HH8	2505	CP5798-NY	Seat Plate	4.71
HH9	2525	CP7709-302SS	Washer	5.34
10	2528	CP5879-AL	Stem (AA12)	7.13
10	2587	CP6022-AL	Stem (AA12A)	HH
11	2527	CP5878-AL	Tubing (AA12)	17.12
11	2588	CP6021-AL	Tubing (AA12A)	HH
12	2537	CP6618-AL	1/4-28 Nut	1.16
13	2589	CP5866-12/GH-AL	Body, GHT	32.91
14	2541	CP5882-NP	Hand Grip Stud	8.76
15	2542	CP5883-AL	Packing Washer	1.19
16	2772	CP5809-LEA	Packing (4 req'd)	1.19
17	2543	CP5811-AL	Packing Screw	2.68
18	2571	CP5808-POL	Garden Hose Gasket	3.26
19	2516	CP5884-INP	Hand Grip Collar	6.40
20	2517	CP5994-NY	Hand Grip	7.47
21	2545	CP5813-AL	Hand Grip Nut	2.02
HH	SSK-46	PK-AB12A-KIT	Includes all items marked with HH	22.01

HH Please contact us for pricing.

MODEL: AA18 & AA18-AL



BRASS SPRAY GUNS

Code 4 **A**

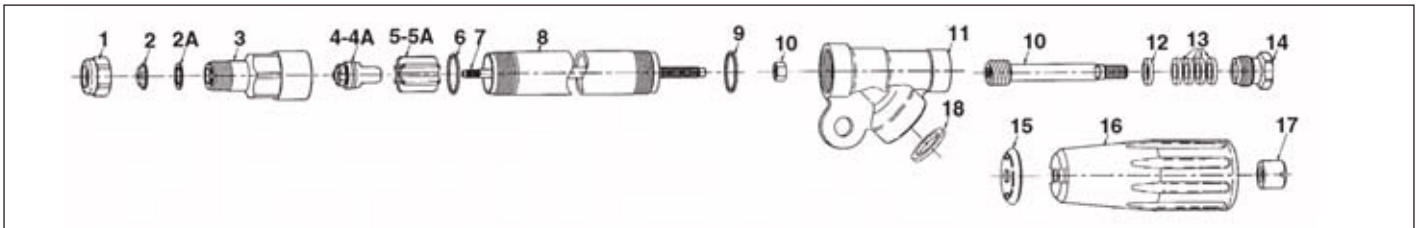
REF. NO.	STOCK NUMBER	MFG. NO.	DESCRIPTION	PRICE EA.
1	5787	CP1325	Cap	\$ 1.03
2	—	see catalogue	Orifice Disc	—
H3	2500	CP5871-BU	Tip Gasket, Buna-N	2.85
4	2501	CP5869	Spray Housing	5.53
H5	2502	10516-AL	Core Body Sub-assembly	13.34
6	2503	CP5872	Guide Sleeve, Brass	2.38
7	2504	CP4143-CU	Gasket (2 req'd)	1.19
H8	2505	CP5798-NY	Seat Plate, Nylon	4.71
H9	2506	CP7985	#10 Washer, Brass	2.01
10	2507	CP5878	Tubing, Brass	17.77
11	2508	CP5879	Stem, Brass	7.41
12	2509	CP6618	Nut, #1/4-18, Brass	1.16
13	2511	CP6896	Inlet Body, Brass	56.68
14	2513	CP5882	Hand Grip Stud	8.76
15	2514	CP5883	Packing Washer	1.19
16	2772	CP5809-LEA	Packing, Leather (4 req'd)	1.19
17	2515	CP5811	Packing Screw, Brass	2.68
18	2516	CP5884-INP	Hand Grip Collar	6.40
19	2517	CP5994-NY	Plastic Hand Grip	7.47
20	2518	CP5813	Hand Grip Nut, Brass	2.02
21	2519	5838	Hand Grip Sub-Asb. (incl. items 14, 18, 19 & 20)	12.32
H	SSK-38	PK-AB18-KIT	Includes all items marked with H	16.92

ALUMINUM SPRAY GUNS

Code 4 **A**

REF. NO.	STOCK NUMBER	MFG. NO.	DESCRIPTION	PRICE EA.
1	2520	CP1325-AL	Cap	\$.99
2	—	see catalogue	Orifice Disc	—
H3	2500	CP5871-BU	Tip Gasket, Buna-N	2.85
4	2521	CP5869-AL	Spray Housing	5.35
H5	2502	10516-AL	Core Body Sub-assembly	13.34
6	2523	CP5872-AL	Guide Sleeve	2.38
7	2524	CP4143-AL	Gasket (2 req'd)	1.19
H8	2505	CP5798-NY	Seat Plate, Nylon	4.71
H9	2525	CP7709-302SS	#10 Washer	5.34
10	2527	CP5878-AL	Tubing	17.12
11	2528	CP5879-AL	Stem	7.13
12	2537	CP6618-AL	Nut, #1/4-18	1.16
13	2540	CP6896-AL	Inlet Body	23.36
14	2541	CP5882-NP	Hand Grip Stud	8.76
15	2542	CP5883-AL	Packing Washer	1.19
16	2772	CP5809-LEA	Packing, Leather (4 req'd)	1.19
17	2543	CP5811-AL	Packing Screw	2.68
18	2516	CP5884-INP	Hand Grip Collar	6.40
19	2517	CP5994-NY	Plastic Hand Grip	7.47
20	2545	CP5813-AL	Hand Grip Nut	2.02
21	2519	5838	Hand Grip Sub-Asb. (incl. items 14, 18, 19 & 20)	12.32
H	SSK-39	PK-AB18-AL-KIT	Includes all items marked with H	18.62

MODEL: AA143 & AA143-AL-GH



BRASS SPRAY GUNS

Code 4 **A**

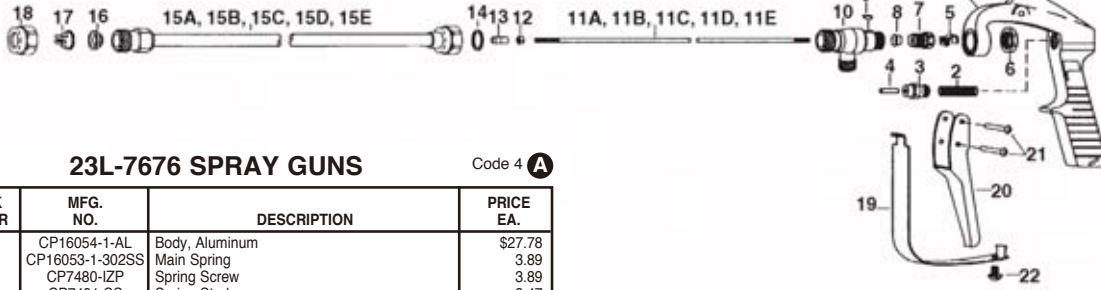
REF. NO.	STOCK NUMBER	MFG. NO.	DESCRIPTION	PRICE EA.
1	5787	CP1325	Cap, Brass	\$ 1.30
H2	—	See Catalogue	Orifice Disc	—
2A	1041	CP4743-NY	Gasket, Nylon	3.05
3	1082	CP10566	Nozzle Housing	14.72
H4	1083	10565-1-NY	Core Sub-assembly	22.68
5	1085	CP10571-2-NY	Guide Vane, Nylon	6.45
6	2546	CP6943-AL	Gasket (2 req'd)	1.19
7	2547	CP10576-416SS	Stem, SS	16.03
8	1672	CP6604	Tubing	30.34
9	2509	CP6618	Nut, Brass	1.16
10	2548	CP6898-GH-AL	Inlet Body, Garden Hose (F)	25.72
	2549	CP6898-3/4-AL	Inlet Body, 3/4" NPT (F)	25.72
11	2513	CP5882	Hand Grip Stud	8.76
12	2514	CP5883	Packing Washer	1.19
H13	2772	CP5809-LEA	Packing, Leather (4 req'd)	1.19
14	2515	CP5811	Packing Screw	2.68
15	2516	CP5884-INP	Hand Grip Collar	6.40
16	2517	CP5994-NY	Hand Grip, Nylon	7.47
17	2518	CP5813	Hand Grip Nut	2.02
H	SSK-40	PK-AB143-KIT	Includes all items marked with H	24.10

ALUMINUM SPRAY GUNS

Code 4 **A**

REF. NO.	STOCK NUMBER	MFG. NO.	DESCRIPTION	PRICE EA.
1	2520	CP1325-AL	Cap	\$.99
H2	—	See Catalogue	Orifice Disc	—
2A	1041	CP4743-NY	Gasket, Nylon	3.05
3	1042	CP10566-AL	Nozzle Housing	14.18
H4	1043	10565-1-NY-AL	Core Sub-assembly	22.68
5	1045	CP10571-3-NYB	Guide Vane, Nylon	6.64
6	2546	CP6943-AL	Gasket (2 req'd)	1.19
7	2547	CP10576-416SS	Stem, Type 416 SS	16.03
8	1673	CP6604-AL	Tubing	30.34
9	2537	CP6618-AL	Nut	1.16
10	2548	CP6898-GH-AL	Inlet Body, Garden Hose (F)	25.72
	2549	CP6898-3/4-AL	Inlet Body, 3/4" NPT (F)	25.72
11	2541	CP5882-NP	Hand Grip Stud	8.76
12	2542	CP5883-AL	Packing Washer	1.19
H13	2772	CP5809-LEA	Packing, Leather (4 req'd)	1.19
14	2543	CP5811-AL	Packing Screw	2.68
15	2516	CP5884-INP	Hand Grip Collar	6.40
16	2517	CP5994-NY	Hand Grip, Nylon	7.47
17	2545	CP5813-AL	Hand Grip Nut	2.02
H	SSK-41	PK-AB143-AL-KIT	Includes all items marked with H	24.10

MODEL: AA23L / #7676



23L-7676 SPRAY GUNS

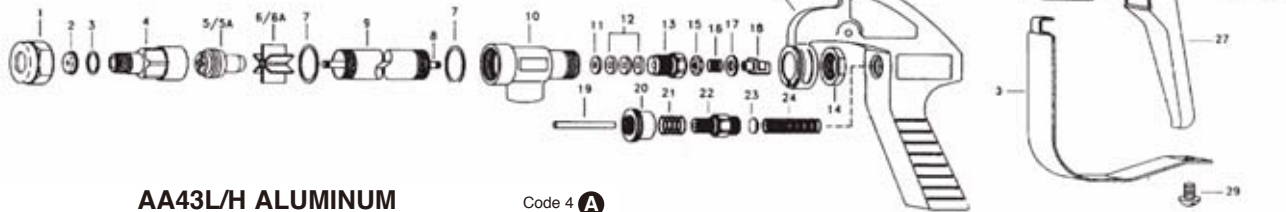
Code 4 **A**

REF. NO.	STOCK NUMBER	MFG. NO.	DESCRIPTION	PRICE EA.
1	1013	CP16054-1-AL	Body, Aluminum	\$27.78
#2	1014	CP16053-1-302SS	Main Spring	3.89
3	1015	CP7480-I-ZP	Spring Screw	3.89
4	1016	CP7491-SS	Spring Stud	3.47
5	1021	CP8591-I-ZP	Trigger Guide	1.44
6	1022	CP7486-SS	Lock Nut	3.64
7	1023	CP16071-NP	Packing Screw	2.56
#8	1349	CP14255-1-BU	Cup Buna-N	4.52
9	1024	CP7892-I-ZP	Key, Steel	2.38
10	1026	CP16052-NP	Inlet Body	18.17
11A	1027	CP7677-8-SS	Stem, 8"	17.29
11B	1028	CP7677-18-SS	Stem, 18"	21.36
11C	1029	CP7677-24-SS	Stem, 24"	28.04
11D	1030	CP7677-36-SS	Stem, 36"	37.77
11E	1032	CP7677-48-SS	Stem, 48"	49.71
12	1335	CP7679-1	Stem Guide Nut, Brass	2.37
#13	1333	CP7678	Stem End, Brass	6.01
14	1334	CP4743-TEF	Gasket, Teflon	4.36
15A	6526	7715-8	8" Extension Tube	9.50
15B	6527	7715-18	18" Extension Tube	11.99
15C	6528	7715-24	24" Extension Tube	12.95
15D	6530	7715-36	36" Extension Tube	16.38
15E	6531	7715-48	48" Extension Tube	19.90

EXTENSION ASSEMBLY
INCLUDES THE STEM, TUBE & #12, 13 & 14. Code 4 **A**

REF. NO.	STOCK NUMBER	MFG. NO.	DESCRIPTION	PRICE EA.
11-15	2976	13206-8	8" Extension Assembly	\$34.06
11-15	2978	13206-18	18" Extension Assembly	40.52
11-15	2979	13206-24	24" Extension Assembly	47.73
11-15	2980	13206-36	36" Extension Assembly	60.52
11-15	2981	13206-48	48" Extension Assembly	75.35
#16	2977	CP7490-BRTF	Valve Seat	4.57
17	—	Order separate	Spray Tip, Brass or SS	—
18	1033	CP1325-NP	Cap, Brass	1.77
19	1034	CP9539-INP	Trigger Guard	5.84
20	1037	CP14252-INP	Trigger, Steel	6.05
21	1038	CP8038-SS	Rivet, Stainless Steel	1.19
22	1039	CP9697-SS	Pan Head Screw	1.66
#	SSK-25	AB23L-7676-KIT	Includes all items marked #	13.85

GUNJET AA43L/H & AA43AL/H SPRAY GUN



AA43L/H ALUMINUM

Code 4 **A**

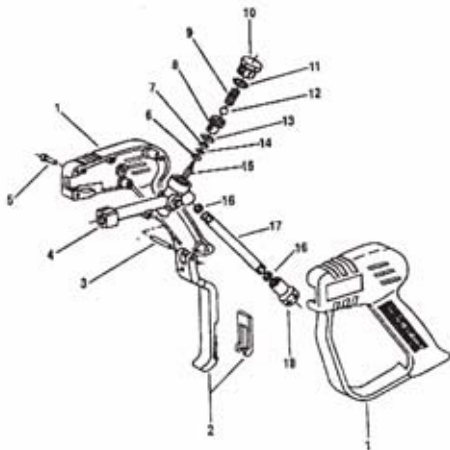
REF. NO.	STOCK NUMBER	MFG. NO.	DESCRIPTION	PRICE EA.
1	1040	CP1325-AL	Cap, Aluminum	\$.99
2	See Cat.	D-#	Orifice Disc	—
#3	1041	CP4743-NY	Gasket, Nylon	3.05
4	1042	CP10566-AL	Nozzle Housing, Aluminum	14.18
#5	1043	10565-1-NY-AL	Seat Plug, Seat Plate	22.68
5	1044	10565-AL	Seat Plug, Seat Plate, Washer & Core Assembly, Aluminum, Special Order Only	22.68
6	1045	CP10571-3-NYB	Guide Vane, Nylon	6.64
6A	1046	CP10571-AL	Guide Vane, Special Order Only	6.45
7	1047	CP45196-NYB	Gasket	1.19
8	2975	CP19238-416SS	Stem	18.68
9	1673	CP6604-AL	Tubing, Aluminum	30.34
10	1773	CP6492-AL	Inlet Body, Aluminum	23.66
#11	1671	CP6601-302SS	Packing Washer	3.18
#12	1048	CO6602-LEA	Packing, Leather (std.)	2.77
12	1049	CP6602-TEF	Packing, Teflon (opt.)	7.04
13	1050	CP19237-AL	Packing Screw, Aluminum	4.02
14	1051	CP6595-I-ZP	Locknut, Brass	#
15	1052	CP9641-INP	Stem Nut, Steel	4.40
19	1053	CP6595-SS	Trigger Spring	2.37
17	1054	CP7991-SS	Washer, SS	.81
18	1055	CP6597-INP	Trigger Guide	12.61
19	1069	CP6591-SS	Spring Stud	2.83
20	1070	CP6589-I-ZP	Stop Adjustment Nut	3.70
21	1071	CP6594-SS	Spring for Nut	1.21
22	1072	CP6588-I-ZP	Spring Screw	3.91
23	1073	CP6592-302SS	Spring Guide	1.96
24	1074	CP6593-1-SS	Main Spring (Model #43L-)	4.02
24	1075	CP6593-2-SS	Main Spring (Model #43H-)	4.02
25	1076	CP14477-1-AL	Handle Body, Aluminum	44.37
26	1077	CP7623-I-ZP	Rivet	1.16
27	1078	CP6509-INP	Trigger, Steel	4.74
28	1079	CP6510-INP	Trigger Stop	4.17
29	1080	CP11757-SS	Screw, SS	3.26
30	1081	CP13798-INP	Trigger Guard	8.50
#	SSK-26	PK-AB43-AL-KIT	Includes all items marked with #	31.98
	SSK-27	ABCK43-AL-KIT	Conversion Kit for Adj. Stem - Items 8, 13 & 15	20.46

AA43L/H BRASS

Code 4 **A**

REF. NO.	STOCK NUMBER	MFG. NO.	DESCRIPTION	PRICE EA.
1	5787	CP1325	Cap, Brass	\$ 1.03
2	See Cat.	D-#	Orifice Disc	—
#3	1041	CP4743-NY	Gasket, Nylon	3.05
4	1082	CP10566	Nozzle Housing, Brass	14.72
#5	1083	10565-1-NY	Seat Plug, Seat Plate	22.68
6	1085	CP10571-2-NYB	Guide Vane	6.45
7	1086	CP45195-NYB	Gasket, Nylon (2 req'd)	.38
8	2975	CP19238-416SS	Stem, Type 416	18.68
9	1672	CP6604	Tubing, Brass	30.34
10	1771	CP6492	Inlet Body, Brass	33.65
#11	1671	CP6601-302SS	Packing Washer	3.18
#12	1048	CP6602-LEA	Packing, Leather	2.77
#12	1049	CP6602-TEF	Packing, Teflon	7.04
13	1087	CP19237	Packing Screw, Brass	4.02
14	1088	CP6599	Locknut, Brass	2.68
15	1052	CP9641-INP	Stem Nut	4.40
16	1053	CP6595-SS	Trigger Stop Spring, SS	2.37
17	1054	CP7991-SS	Washer, SS	.81
18	1055	CP6597-INP	Trigger Guide	12.61
19	1069	CP6591-SS	Spring Stud	2.83
20	1070	CP6589-I-ZP	Stop Adjustment Nut	3.70
21	1071	CP6594-SS	Spring for Stop	1.21
22	1072	CP6588-I-ZP	Spring Screw, Steel	3.91
23	1073	CP6592-302SS	Spring Guide Washer	1.96
24	1074	CP6593-1-SS	Main Spring (Model #43L-)	4.02
24	1075	CP6593-2-SS	Main Spring (Model #43H-)	4.02
25	1076	CP14477-1-AL	Handle Body	44.37
26	1077	CP7623-I-ZP	Rivet, Steel	1.16
27	1078	CP6509-INP	Trigger, Steel	4.74
28	1079	CP6510-INP	Trigger Stop	4.17
29	1080	CP11757-SS	Screw, SS	3.26
30	1081	CP13798-INP	Trigger Guard	8.50
#	SSK-28	PK-AB43-KIT	Includes all items marked with #	31.98
	SSK-37	ABCK43-KIT	Conversion Kit for Adj. Stem - Items 8, 13 & 15	20.46

HYPRO MODEL #32

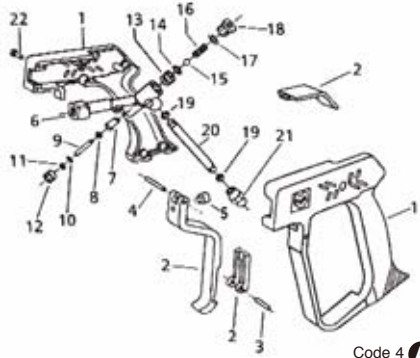


Code 4 **A**

REF. NO.	STOCK NUMBER	DESCRIPTION	QTY. REQ'D.	PRICE EA.
1	HY2800-0024	Case right and left (Available only as set)	1	\$21.42
2	HY2825-0008	Trigger	1	13.06
3	HY1610-0050	Pin, Trigger	1	⌘
4	HY0102-3381B	Body	1	28.22
5	HY2210-0107	Screw, Phillips	7	⌘
6	⌘	Seal, Backup Retainer	1	†
7	⌘	Retainer	1	†
8	⌘	Std. Seat (3381-0032)	1	†
8	⌘⌘⌘	Weep Seat (3381-0032W)	1	†
9	⌘	Spring	1	†
10	HY1820-0037	Retainer	1	⌘
11	HY1720-0182	O-Ring	1	⌘
12	⌘	Ball	1	†
13	⌘⌘ and ⌘⌘⌘	O-Ring, Seat	1	†
14	⌘	O-Ring, Viton	1	†
15	⌘	Plunger	1	†
16	HY2270-0068	Seal, Washer	2	.75
17	HY2404-0281	Tube, Inlet	1	9.93
18	HY2404-0224	Tube, Adapter	1	11.42
⌘	⌘HY3430-0462	Repair Kit	1	13.60
⌘⌘	⌘⌘HY3430-0402	Standard Seat Kit	1	8.77
⌘⌘⌘	⌘⌘⌘HY3430-0465	Weep Seat Kit	1	11.29

⌘ Available in Parts Kits only.
†Please Contact us for Pricing.

HYPRO MODEL #18

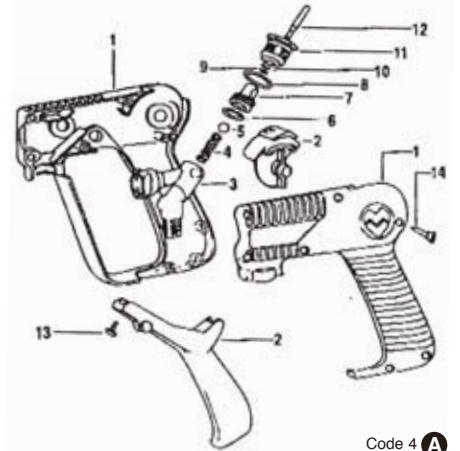


Code 4 **A**

REF. NO.	STOCK NUMBER	DESCRIPTION	QTY. REQ'D.	PRICE EA.
1	HY2800-0023	Case right and left (Available only as set)	1	\$25.16
2	HY2825-0004	Trigger, Latch & Plate	1	17.00
2	HY2825-0004	Trigger, (Blue), Latch & Plate (3381-0018W)	1	17.00
3	HY1610-0049	Pin	1	.88
4	HY1610-0050	Pin, Trigger	1	⌘
5	HY3210-0082	Wear Pin, Trigger	1	2.24
6	HY0101-3381B	Body (3381-0018)	1	⌘
7	⌘	Plunger Sleeve	1	†
8	⌘	O-Ring, Viton	1	†
9	⌘	Plunger	1	†
10	⌘	O-Ring, Viton	1	†
11	⌘	Seal	1	†
12	⌘	Retainer	1	†
13	HY3210-0081	Std. Seat (3381-0018)	1	6.66
13	HY3210-0083	Weep Seat (3381-0018W)	1	⌘
14	HY1720-0163	O-Ring	1	1.50
15	⌘	Ball	1	†
16	⌘	Spring	1	†
17	⌘	O-Ring	1	†
18	⌘	Retainer	1	†
19	HY2270-0068	Seal, Washer	2	.75
20	HY2404-0223	Tube, Inlet	1	⌘
21	HY2404-0224	Tube, Adapter	1	11.42
22	HY2200-0038	Screw	7	.75
⌘	HY3430-0398	⌘Repair Kit	1	31.62

⌘ Available in Parts Kits only.

HYPRO MODEL #17



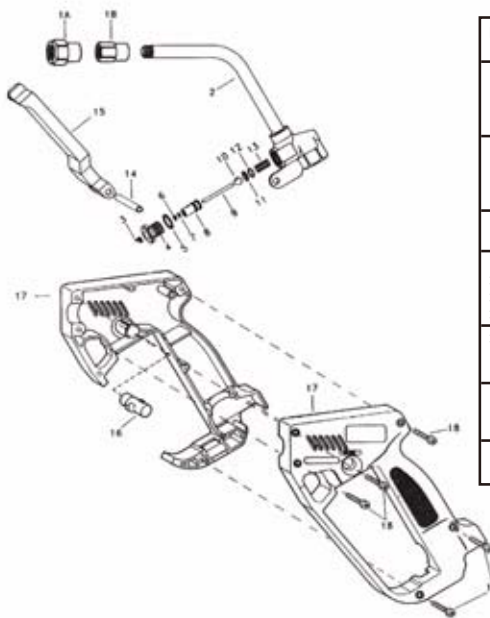
Code 4 **A**

REF. NO.	STOCK NUMBER	DESCRIPTION	QTY. REQ'D.	PRICE EA.
1	HY2800-0022	Handle Assembly	1	\$23.12
2	HY2825-0005	Trigger and Trigger Stop	1	15.30
3	HY3200-0049	Valve Body	1	20.40
4	⌘	Spring	1	†
5	⌘	Ball	1	†
6	⌘⌘	O-Ring	1	†
7	⌘⌘	Seat	1	†
8	⌘	O-Ring	1	†
9	⌘	O-Ring	1	†
10	⌘	Support Ring	1	†
11	⌘	Guiding Screw	1	†
12	⌘	Valve Pin	1	†
13	—	Wear Button	1	†
14	—	Screw	1	†
⌘	⌘HY3430-0401	Repair Kit	1	15.64
⌘⌘	⌘⌘HY3430-0402	Seat Kit	1	8.77

⌘ Available in Parts Kits only.
†Please Contact us for Pricing.

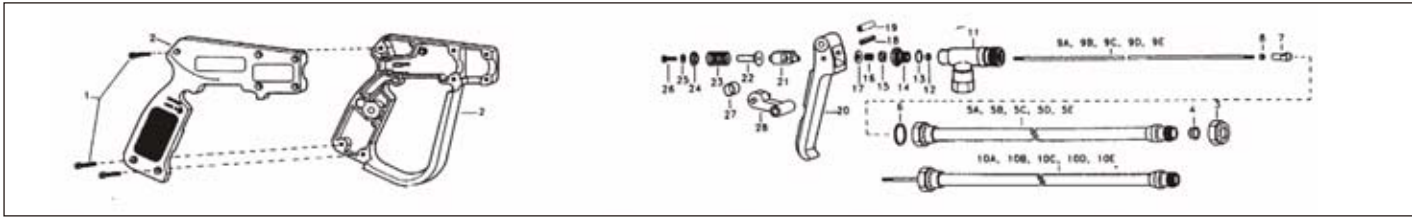
GUNJET WASHER SPRAY GUNS

Code 4 **A**



REF. NO.	STOCK NUMBER	DESCRIPTION	QTY. REQ'D.	PRICE EA.
1A	CP24465-3/8	Outlet Adapter, Brass	1	∘
1B	CP24463-1/4	Outlet Adapter	1	∘
2	22468	Body, Tube & Swivel	1	∘
⌘3	CP25966-302SS	Trigger Spring, 302 SS	1	†
4	CP24462	Retaining Screw, Brass	1	∘
⌘5	CP17717	Gasket, Brass	1	†
⌘6	CP24457-TEF	Back-up Ring, Teflon	1	†
⌘7	CP7717-1-VI	O-Ring, Viton	1	†
⌘8	CP24460-SS	Seat, SS	1	†
⌘8	CP24460-1-SS	Seat, SS	1	†
⌘9	CP24459-SS	Stem, SS	1	†
⌘10	CP7671-3/316-40CHS	Ball, Type 110C HSS	1	†
⌘11	CP17125-TEF	Back-up Ring, Teflon	1	†
⌘12	CP7717-2/11-VI	O-Ring, Viton	1	†
⌘13	CP24464-PHSS	Spring, Type 17-7 PH SS	1	†
14	CP17889-420SS	Roll Pin, Type 402 SS	1	∘
15	24469-NYSS	Trigger sub-assembly,	1	∘
16	CP24456-NYB	Trigger Lock, Nylon (Black)	1	∘
17	CP24467-NYB	R&L Hand Housing Set	1	∘
18	CP17103-11/16-302SS	Screw, 302 SS	3	∘
⌘	ABPW4000AS-KIT	Includes all items marked with ⌘		
†	ABPW4000AS-KIT	Includes all items marked with †		

⌘ Available in Parts Kits only.
†Available in Parts Kits only.
‡Please Contact us for Pricing.
∘Not Available.



30L SPRAY GUN

Code 4 **A**

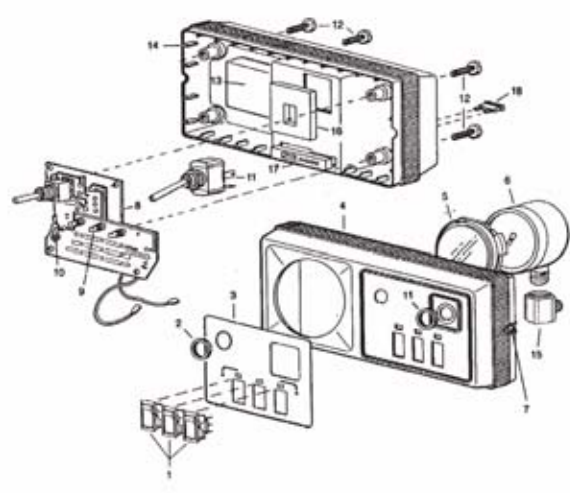
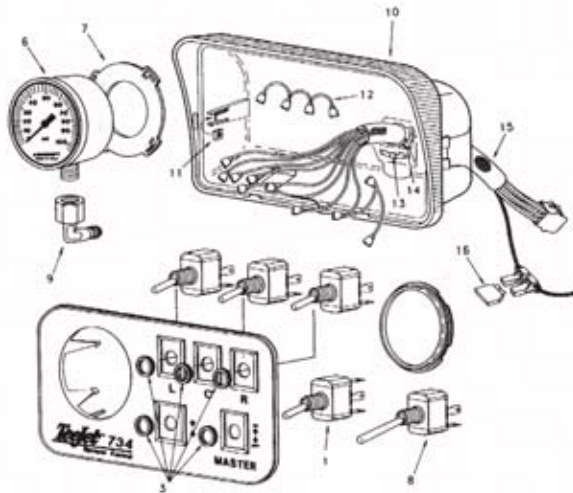
REF. NO.	STOCK NUMBER	MFG. NO.	DESCRIPTION	PRICE EA.
1	1330	CP17103-302SS	Screw, Stainless Steel (7 req'd)	\$ 1.02
2	1332	CP19684-1-NYB	Right and Left Housing	51.74
3	5787	CP1325	Cap, Brass	1.03
4	2977	CP7490-BRTF	Valve Seat Sub-assembly	4.57
5A	6526	7715-8	Extension - 8"	9.50
5B	6527	7715-18	Extension - 18"	11.99
5C	6528	7715-24	Extension - 24"	12.95
5D	6530	7715-36	Extension - 36"	16.38
5E	6531	7715-48	Extension - 48"	19.90
6	1334	CP4743-TEF	Gasket, Teflon	4.36
7	1333	CP7678	Stem End	6.01
8	1335	CP7679-1	Stem Guide Nut	2.37
9A	1337	CP22427-8-SS	Stem, Stainless Steel - 8"	27.97
9B	1338	CP22427-18-SS	Stem, Stainless Steel - 18"	30.58
9C	1339	CP22427-24-SS	Stem, Stainless Steel - 24"	32.93
9D	1340	CP22427-36-SS	Stem, Stainless Steel - 36"	35.19
9E	1341	CP22427-48-SS	Stem, Stainless Steel - 48"	98.12
10A	1342	22426-8	Sub-assembly, 5A thru 9A	37.18
10B	1343	22426-18	Sub-assembly, 5B thru 9B	42.69
10C	1344	22426-24	Sub-assembly, 5C thru 9C	46.00
10D	1345	22426-36	Sub-assembly, 5D thru 9D	51.54
10E	1346	22426-48	Sub-assembly, 5E thru 9E	119.61

Code 4 **A**

REF. NO.	STOCK NUMBER	MFG. NO.	DESCRIPTION	PRICE EA.
11	1347	CP22136	Inlet Body	24.50
12	1349	CP14255-1-U	Cup Packing, Buna-N	4.52
13	1350	CP19812	Gasket, Soft Brass	2.96
14	1351	CP19811	Packing Screw	3.59
15	1352	CP7484-SS	Stem Nut, SS	2.46
16	1353	CP7489-SS	Trigger Stop Spring	1.16
17	1354	CP7622-302SS	#6 Burr	1.16
18	1355	CP17720-420SS	Roll Pin	1.61
19	1356	CP19820-420SS	Roll Pin	2.57
20	1357	CP17703-NY	Trigger (Yellow)	4.13
21	1358	CP19810	Trigger Guide	8.10
22	1359	CP19815	Spring Guide	6.96
23	1360	CP22138-302SS	Spring	1.42
24	1361	CP19816	Spring Retainer	3.51
25	1362	CP19819-SS	Washer, Type 18-8	1.16
26	1363	CP19818-SS	Screw	1.16
27	1364	CP19805-CE	Lock Spring Ring	1.41
28	1365	CP19806-NY	Trigger Lock (Yellow)	4.33

TEEJET 734 SPRAYER CONTROL

TEEJET 744A SPRAYER CONTROL



MODEL 734

Code 4 **A**

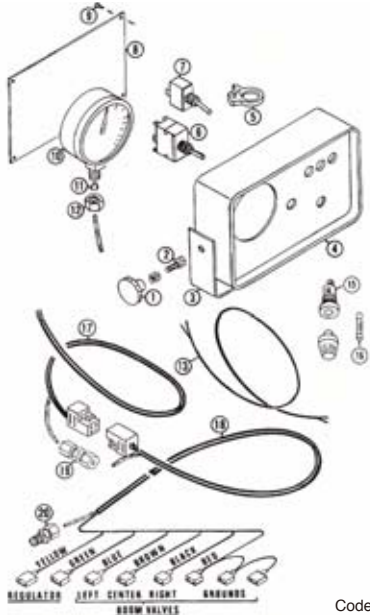
REF. NO.	STOCK NUMBER	MFG. NO.	DESCRIPTION	PRICE EA.
1	1567	CP36985-COMMAT	Pressure Switch	\$ 9.20
2	1566	CP36984-COMMAT	Boom Switch (3 req'd)	5.61
3	1434	CP21966-NP	Knurled Facenut	2.09
4	1435	CP36995-PHO	Front Panel	7.37
5	1436	CP36982-PHO	Gauge Mounting Ring	5.16
6	1568	CP26387-100	2-1/2" Dry Gauge - 100 PSI	27.39
7	1437	CP36994-PHO	Gauge Lock Ring	2.86
8	1565	CP21477-COMMAT	Master Switch	20.98
9	1438	CP36986-NYB	Gauge Elbow	3.60
10	1439	CP36980-PHO	Back Cover	16.42
12	1441	CP36989-COMMAT	Wire Jumper	6.36
15	1444	CP36987-COMMAT	Wire Harness	51.96

MODEL 744A

Code 4 **A**

REF. NO.	STOCK NUMBER	MFG. NO.	DESCRIPTION	PRICE EA.
1	1571	CP26211-COMMAT	Boom Switch (3 req'd)	\$ 18.12
2	1434	CP21966-NP	Knurled Nut, Brass	2.09
3	1446	CP37213-PC	Graphic Panel - 3	7.37
4	1447	CP21969-PHO	Front Housing	40.07
5	1448	CP21972-PLST	Lens, Dry Gauge	2.96
5	1448	CP37210-PLST	Lens, Liq Gauge	2.41
6	1568	CP26387-100	2-1/2" Dry Gauge - 100 PSI	27.39
6	1563	CP26387-300	2-1/2" Dry Gauge - 200 PSI	27.39
6	1564	CP26388-100L	2-1/2" Liquid Gauge - 100 PSI	55.53
6	1569	CP26388-300L	2-1/2" Liquid Gauge - 300 PSI	55.53
7	1440	CP21469-IZP	Square Nut, Steel (2 req'd)	1.19
8	1450	37206-COMMAT	Module (Items 9 & 10)	116.61
9	1451	CP37222-COMMAT	Boom L.E.D.	4.63
10	1452	CP37221-COMMAT	Gauge Lamp	4.31
11	1780	22573-COMMAT	Toggle Switch	21.86
12	1453	CP21495-1-410SS	#6 Plastite Screw (4 req'd)	1.19
13	1454	CP37216-1-NEO	Spacer (for 100D-- & 300D--)	2.53
13	1455	CP37216-2-NEO	Spacer (for 100L-- & 300L--)	2.53
14	1456	CP21462-PHO	Back Housing	12.86
15	1457	CP37211-NYB	Elbow, Nylon (black)	2.90
16	1458	CP21488-NEO	Cable Shield	2.30
17	1459	CP21487-NEO	Receptacle - Fuse Shield	1.66

RC-1B SPRAYER CONTROL PARTS SOLENOID VALVES



Code 4 **A**

REF. NO.	STOCK NUMBER	DESCRIPTION	QTY. REQ'D.	PRICE EA.
1	TE1266	Knob	2	\$3.02
2	†	1/4-20 x 3/4 Screw	2	—
3	TE1927	Bracket	1	7.26
4	TE1986	Box 3 Sw. (std.)	1	21.34
4	TE2072	Box 2 Sw. (opt.)	1	21.34
5	TE1946	Clamp	1	1.32
6	2674	Reg. Sw.	1	24.58
7	2673	Boom Sw.	4	11.98
8	TE1948	Back Panel	1	5.24
9	†	Screw #4 x 3/8	4	—
10	2675	Gauge 0-100 (std.)	1	27.82
10	TE1332	Gauge 0-700 KPA (opt.)	1	27.82
10	TE1332L	Gauge 0-700 KPA (liq.) (opt.)	1	69.96
10	2678	Gauge 0-100 (liq.) (opt.)	1	66.74
10	TE1734	Gauge 0-160 (opt.)	1	27.82
10	2681	Gauge 0-160 (liq.) (opt.)	1	66.74
10	2677	Gauge 0-300 (opt.)	1	28.36
11	TE1204	Ferrule	1	1.34
12	TE1187	1/8" NPT Nut	1	3.28
12	TE1320	1/4" NPT Nut	1	3.72
13	TE1212	8' Power Cord	1	7.82
15	TE1172	Fuse Holder	1	10.56
16	TE70079	Fuse 10 amp.	1	.86
17	TE1195	6' Cab Harness (std.)	1	40.46
17	TE1294	10' Cab Harness (opt.)	1	51.20
18	TE1576	8' Sprayer Harness	1	69.71
18	6330	15' Sprayer Harness	1	82.58
18	TE1578	24' Sprayer Harness	1	112.62
19	6052	1/8" Tube Union	1	4.39
20	6072	1/8" MPT x 1/8" Tube	1	1.52

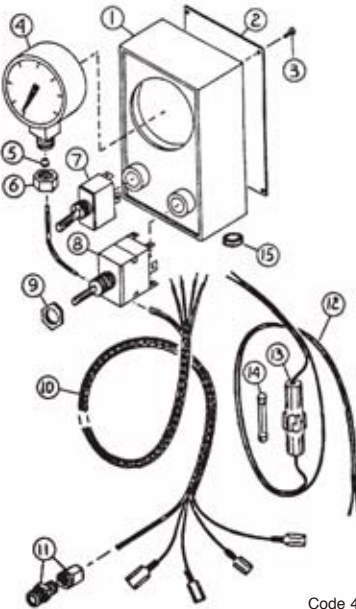
†Purchase Locally

1560 & 1541 MOTOR HOUSING ASSEMBLY Code 4 **A**

REF. NO.	STOCK NUMBER	DESCRIPTION	QTY. REQ'D.	PRICE EA.
1	TE1557	Cover Assembly	1	\$13.46
N/S	TE2008	Motor Cover Gasket	1	2.90
2	†	4-40 x 1/2" Screw	4	—
3	TE70093	Motor & Pinion	1	14.66
4	TE1484	Motor Plate	1	8.18
5	TE1509	Gear & Pinion - Nylon	1	2.44
5	TE1671	Gear & Pinion - Metal	1	9.46
6	TE1513	Shaft & Gear 1560 Reg.	1	10.34
6	TE1558	Shaft & Gear 1541 Reg.	1	11.24
7	TE1510	Shaft	1	1.46
8	TE1483	Gear Housing	1	7.86
9	TE1169	O-Ring Viton	1	1.32
10	TE1559	1560 Motor	1	56.06
10	TE1554	1541 Motor	1	64.18

†Purchase Locally

RC-10N SPRAYER CONTROL BOX

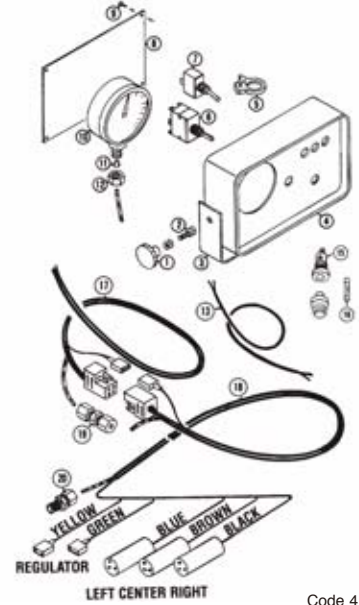


Code 4 **A**

REF. NO.	STOCK NUMBER	DESCRIPTION	QTY. REQ'D.	PRICE EA.
1	TE1186	Control Box	1	\$ 6.37
2	TE1203	Back Plate	1	9.20
3	†	Screw #4 x 3/8"	4	—
4	2682	Gauge 0-100 1/8" MPT	1	30.36
4A	2683	Gauge 0-100 1/4" MPT	1	25.28
4B	TE1331	Gauge 0-700 KPA 1/4" MPT	1	25.28
5	TE1204	Ferrule	1	1.34
6	TE1187	1/8" MPT Nut	1	3.28
6	TE1320	1/4" MPT Nut	1	3.72
7	2673	Reg. Sw.	1	11.98
8	2674	Reg. Sw.	1	24.58
9	TE1205	Switch Hex Nut	2	.84
10	TE1575	15' Harness	1	53.53
11	6072	1/8" Adapter	1	1.52
12	TE1206	Power Cord	1	16.41
13	TE1207	Fuse Holder	1	2.36
15	TE1209	Grommet	1	.99
	TE1586	Comp. Control less regulator	1	155.60

†Purchase Locally

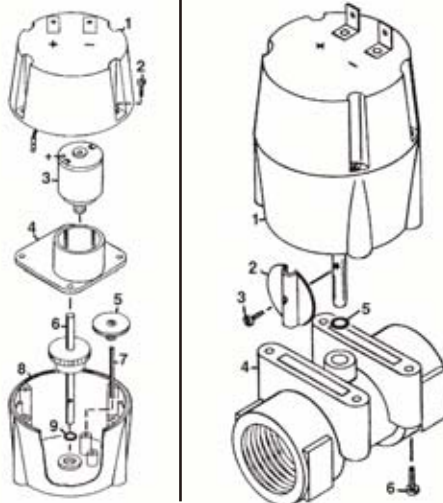
NO. 2460 CONTROL



Code 4 **A**

REF. NO.	STOCK NUMBER	DESCRIPTION	QTY. REQ'D.	PRICE EA.
1	TE1266	Knob	2	\$3.02
2	†	1/4-20 x 3/4 Cap Screw	2	—
3	TE1927	Mounting Bracket	1	7.26
4	TE1986	Control Panel for 3	1	21.34
5	TE1946	Cable Clamp	1	1.32
6	2674	Regulator Switch	1	24.58
7	2673	Boom Switch	4	11.98
8	TE1948	Back Panel	1	5.24
9	†	Screw, No. 4 x 3/8	4	—
10	TE1734	Gauge, 0-160 PSI 1/4 NPT	1	27.82
10	2681	Gauge, 0-160 PSI	1	66.74
10	TE2421	Gauge, 0-200 PSI (Op 1/4 NPT)	1	27.82
11	TE1204	Ferrule	1	1.34
12	TE1320	1/4 NPT Nut	1	3.72
13	TE1212	8' (2.4M) Power Cord	1	7.82
15	TE1172	Fuse Holder	1	10.56
16	TE70079	Fuse, 10 Amp. 3 AG	1	.86
17	TE2548	10' (3M) Cab Harness	1	57.24
18	TE2549	10' (3M) Sprayer Harness	1	76.32
19	6052	1/8" Tube Union	1	4.39
20	6072	1/8" x 1/8" Tube Fitting	1	1.52
	TE2551	Complete Panel, 1 thru 17, 3 Switch	1	233.38

TEXAS INDUSTRIAL REGULATOR PARTS



1560 REGULATOR PARTS Code 4 **A**

REF. NO.	STOCK NUMBER	DESCRIPTION	QTY. REQ'D.	PRICE EA.
1	TE1559	Motor Assembly	1	\$56.06
2	TE1150	Butterfly Valve	1	1.94
3	†	Screw 4-40 x 5/16"	1	—
4	TE1479	Valve Body	1	19.06
5	TE1169	O-Ring Viton	1	1.32
6	†	Screw #4 x 3/8"	4	—

†Purchase Locally

1541 REGULATOR PARTS Code 4 **A**

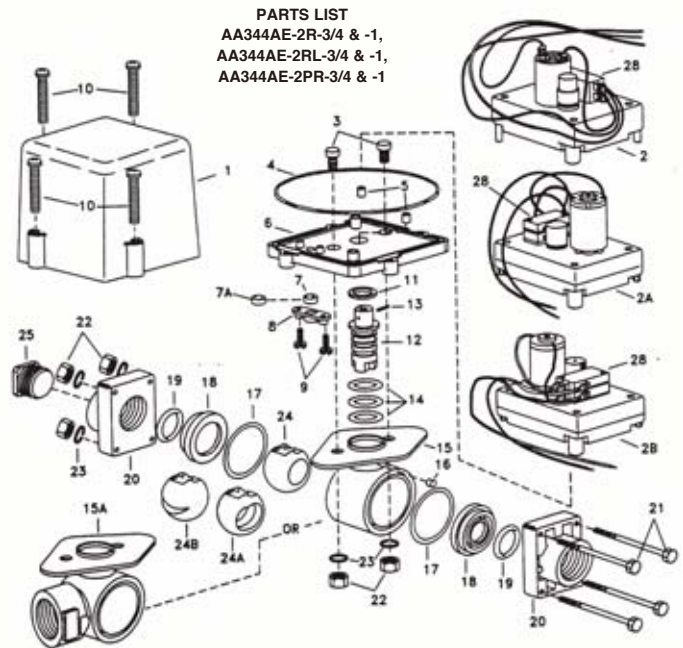
REF. NO.	STOCK NUMBER	DESCRIPTION	QTY. REQ'D.	PRICE EA.
1	TE1554	Motor Assembly	1	64.18
2	TE1556	Butterfly Valve	1	2.74
3	†	Screw 4-40 x 5/16"	1	—
4	TE1480	Valve Body	1	27.04
5	TE1169	O-Ring Viton	1	1.32
6	†	Screw #4 x 3/8"	4	—

†Purchase Locally

DIRECTOVALVES REGULATING VALVE PARTS

Code 4 **A**

ITEM	STOCK NO.	MFG. NO.	DESCRIPTION	PRICE EA.
1	1236	CP20113-PP	Cover	\$ 11.43
2	1235	20122-2-SS	Motor AA344AE-2R	262.59
2A	1234	22257-SS	Motor #AA344AE-2RL	228.65
2B	1233	22257-4	Motor #AA344AE-2PR	218.49
3	1239	CP20127-SS	Stud	1.19
4	1240	CP7717-2-155/40-EPR	O-Ring, EPDM	2.02
5	1241	CP20124-NEO	Motor Mount	3.09
6	1242	CP20111-NYB	Plate	19.95
7	1243	CP22158-3-EPR	Grommet #344AE-2R	2.92
7A	1275	CP22158-2-EPR	Grommet #344AE-2RL & #AA344AE-2PR	4.22
8	1245	CP22157-NYB	Grommet Retainer	6.90
9	1246	CP20123-3/4-430SS	Screw	1.71
10	1247	CP38036-1-1/4-430SS	Screw	1.89
11	1248	CP20125-TEF	Washer, Teflon	1.19
12	1249	CP26250-NYB	Ball Valve Stem	1.33
13	1251	CP23477-420SS	Spring Pin	.86
14	1252	CP7717-M12X2.5-VI	O-Ring, Viton	1.39
15	1253	CP20101-NYB	Body #AA344AE-2R & #AA344AE-2RL	17.55
15A	1770	CP20102-3/4-NYB	Body #AA344AE-2PR-3/4	35.63
15A	1256	CP20102-1-NYB	Body #AA344AE2PR-1 (NPT)	35.63
16	1257	CP20126-FELT	Dust Plug	1.19
17	1258	CP20564-VI	Gasket, Viton	2.77
18	1259	CP20103-TEF	Seal, Teflon	7.10
19	1261	CP7717-2/213-VI	O-Ring, Viton	10.66
20	1262	CP20104-3/4-NYB	End Cap - 3/4	16.08
20	1263	CP20104-1-NYB	End Cap - 1	16.08
21	1265	CP20129-SS	Cap Screw	2.16
22	1266	CP8535-SS	Hex Nut	2.81
23	1267	CP20128-SS	Lock Washer	1.19
24	1276	CP20106-PP	Ball #AA344AE-2R	7.18
24A	1277	CP22259-PP	Ball #344AE-2RL	56.31
24B	1278	CP23483-PP	Ball #344AE-2PR	29.56
25	1232	8400-3/4-NYB	Plug 3/4" NPT (for AA344AE-2PR)	1.76
28	1272	CP22872-PHE	Limit Switch, Phenolic (included with items 2, 2A & 2B)	12.06
⊞	SSK-53	AB344AE-2-KIT	Repair Kit - Exclude items 24A & 24B	56.63
⊞	SSK-56	AB344AE-2RL-KIT	Repair Kit - Exclude items 24 & 24B	58.59
⊞	SSK-57	AB344AE-2PR-KIT	Repair Kit - Exclude items 24 & 24A	61.45



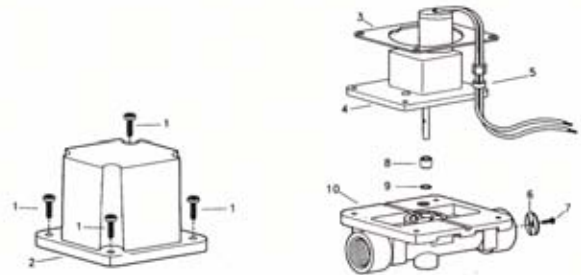
PARTS LIST
AA344AE-2R-3/4 & -1,
AA344AE-2RL-3/4 & -1,
AA344AE-2PR-3/4 & -1

DIRECTOVALVE MODEL AA244C-3/4 REGULATING VALVE REPLACEMENT PARTS

Code 4 **A**

ITEM	STOCK NO.	MFG. NO.	DESCRIPTION	PRICE EA.
1	1282	CP38036-5/8-430SS	Screw	\$ 1.79
2	1285	CP38028-PP	Cover	6.81
⊞3	1288	CP38031-EPR	Gasket, EPDM	4.32
4	—	CP38033	Motor Assembly	⊞
5	1289	CP38029-2-EPR	Grommet, EPDM	6.97
6	1290	CP38039-SS	Butterfly	2.61
7	1291	CP38034-5/16-SS	Machine Screw	4.28
8	1292	CP38077-NY	Washer, Nylon	3.01
⊞9	1368	CP7717-2/106-VI	O-Ring, Viton	4.65
10	1369	CP38038-NYB	Body	16.82
⊞	SSK-58	PK-AB244C-KIT	Includes all items marked with ⊞	14.04

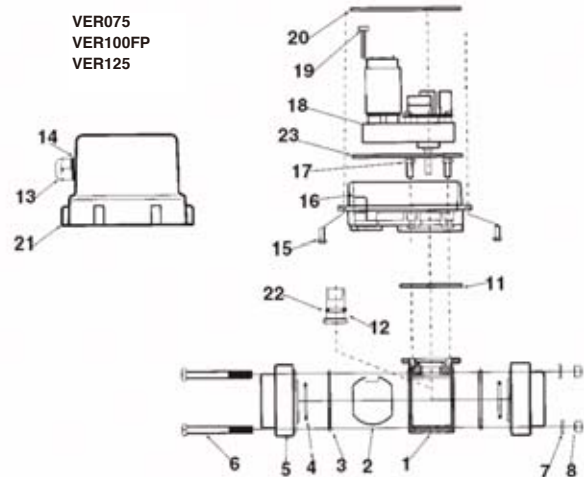
⊞ Please Contact us for Pricing



BANJO 2-WAY 3/4", 1" & 1-1/4" ELECTRIC VALVES

Code 4 **A**

ITEM	STOCK NUMBER	DESCRIPTION	QTY. REQ'D.	PRICE EA.
1	BAVE10254A	Body	1	\$ 14.42
2	BAVE10155SS	1" Stainless Steel Ball	1	40.58
3	BAVE10264	O-Ring Viton	2	4.49
4	BAVE10258	Seat	2	7.37
5	BAVE07357	3/4" End Plate	2	16.03
5	BAVE10257	1" End Plate	2	10.75
5	BAVE10256	1-1/4" End Plate	2	10.75
5	BAVE10278	1" Manifold Flange	2	6.62
6	BAV10117	5/16" x 3-1/2" Body Bolt	4	1.07
7	BAV10118	5/16" Lockwasher	4	.33
8	BAV10119	5/16" Nut	4	.43
11	BAVE105	Thrust Washer	1	3.00
12	BAV10151ASS	Stainless Steel Stem	1	24.83
13	BAVE3448	Electrical Fitting	1	6.41
14	BAV2060	Gasket	1	1.61
15	BAUV15220	Housing Screw	6	.48
16	BAVE101	Housing	1	41.12
17	BAVE111	#10 x 3/4" Pan Head	4	1.07
18	BAVE4274	Motor Assembly	1	240.28
19	BAVE112	#6 x 1-1/4" Hex Washer	2	2.14
20	BAVE104	Gasket	1	3.01
21	BAVE102	Cover	1	29.91
22	BAV10163	Stem O-Ring	2	1.61
23	BAVE106	Gasket	1	3.01



VER075
VER100FP
VER125