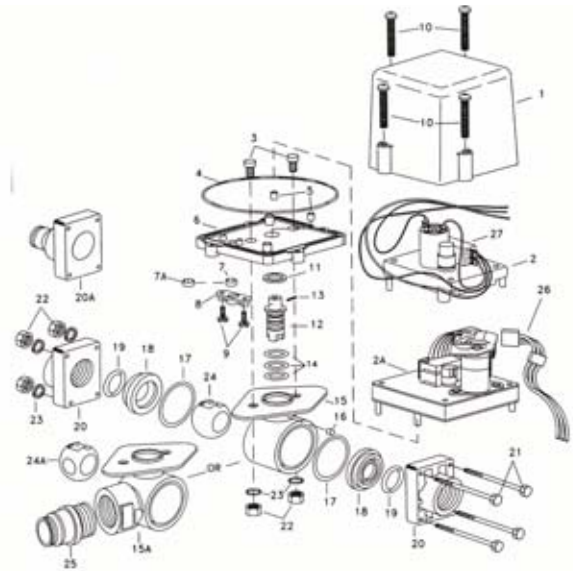


DIRECTOVALVE AA344AE-2/3 & AA344AEC-2/3

Code 4 **A**

ITEM	STOCK NO.	MFG. NO.	DESCRIPTION	PRICE EA.
1	1236	CP20113-PP	Cover	\$ 11.43
2	1237	20122-1-SS	Motor #344AE	254.58
2A	1238	20122-3-SS	Motor #344AEC	221.58
3	1239	CP20127-SS	Stud	1.19
4	1240	CP7717-2-155/40-EPR	O-Ring, EPDM	2.02
5	1241	CP20124-NEO	Mount	3.09
6	1242	CP20111-NYB	Mounting Plate	19.95
7	1243	CP22158-3-EPR	Grommet for #344AE	2.92
7A	1244	CP22158-4-EPR	Grommet for #344AEC	4.22
8	1245	CP22157-NYB	Grommet Retainer	6.90
9	1246	CP20123-3/4-430SS	Hex Washer Screw	1.71
10	1247	CP38036-1-1/4-430SS	Screw	1.89
#11	1248	CP20125-TEF	Washer, Teflon	1.19
#12	1249	CP26250-NYB	Stem for #344AE and #344AEC	1.33
#12	1250	CP38442-SS	Stem, Stainless Steel	21.65
#13	1251	CP23477-420SS	Spring Pin	.86
#14	1252	CP7717-M12X2.5-VI	O-Ring, Viton	1.39
15	1253	CP20101-NYB	Body #344AE & AEC-2	17.55
15A	1254	CP20102-3/4-NYB	Body for #344AE & AEC-3/4	35.63
15A	1256	CP20102-1-NYB	Body for #344AE & AEC-3-1	35.63
#16	1257	CP20126-FELT	Dust Plug	1.19
#17	1258	CP20564-VI	Gasket, Viton	2.77
#18	1259	CP20103-TEF	Seal for #344AE & AEC	7.10
#18	1260	CP20103-CTEF	Seal for #344AEC-2-SS	10.76
#19	1261	CP7717-2/213-VI	O-Ring, Viton	10.66
20	1262	CP20104-3/4-NYB	End Cap for #344AE & AEC	16.08
20	1263	CP20104-1-NYB	End Cap for #344AE & AEC	16.08
20A	1264	CP45514-NYB	Cap for 344AE & AEC-Q	16.08
21	1265	CP20129-SS	Cap Screw	2.16
22	1266	CP8535-SS	Hex Nut	2.81
23	1267	CP20128-SS	Lock Washer	1.19
#24	1276	CP20106-PP	Ball, for #344AE & AEC-2	7.18
#24	1268	CP19926-SS	Ball, for #344AEC-2-SS	50.67
#24A	1269	CP20109-PP	Ball, for #344AE & AEC-3	9.66
25	1270	CP45526-NYB	1" Quick Connect	#
26	1271	46541	Cable for #344AEC	4.74
27	1272	CP22872-PHE	Limit Switch	12.06



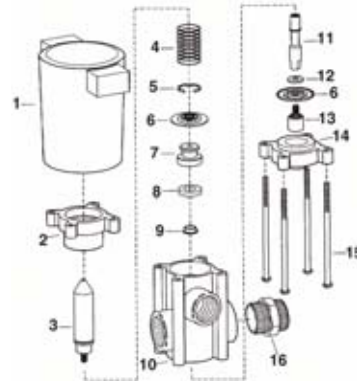
ITEM	STOCK NO.	MFG. NO.	DESCRIPTION	PRICE EA.
-	1273	CP23496-SR	Fuse Holder for #344AE Only	19.10
-	1274	CP21046-1.5-GLASS	Fuse, Glass for #344AE Only	2.02
#	SSK-53	AB344AE-2-KIT	Repair Kit	56.63
#	SSK-54	AB344AE-3-KIT	Repair Kit	58.39
#	SSK-55	AB344AE-2-SS-KIT	Repair Kit	124.87

Please Contact us for pricing.

AA144P-1 VALVE PARTS

Code 4 **A**

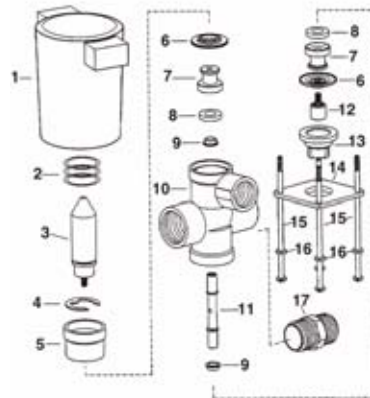
ITEM	STOCK NO.	MFG. NO.	DESCRIPTION	PRICE EA.
1	1000	CP45632	Coil Assembly	\$115.98
2	1001	CP15164-NYB	Upper Housing	4.29
3	1002	CP45634-43FRS	Armature	28.67
#4	1003	CP45637-302SS	Spring	4.31
5	1004	CP14813-2-IENP	Retaining Ring	1.54
#6	1005	CP36101-VI	Diaphragm, Viton (2 req'd)	13.11
7	1006	CP14807-SS	Seat Washer Retainer	13.29
#8	1007	CP14802-VI	Seat Washer, Viton	15.83
9	1008	CP14811-SS	Spacer	3.77
10	1009	CP14801-PP	Body	11.78
11	1010	CP14812-SS	Stem, SS	15.03
12	1011	CP14806-SS	Washer, SS	4.36
13	1012	CP15162-SS	Lower Diaphragm Piston	8.35
14	1040	CP15165-NYB	Lower Diaphragm Housing	16.21
15	1089	CP14819-SS	Screw (4 req'd)	1.42
16	1090	CP21737-NYB	Connecting Nipple	3.72
#	SSK-47	PK-AB144P-1-KIT	Includes Items marked with #	22.94



AA144P-1-3 VALVE PARTS

Code 4 **A**

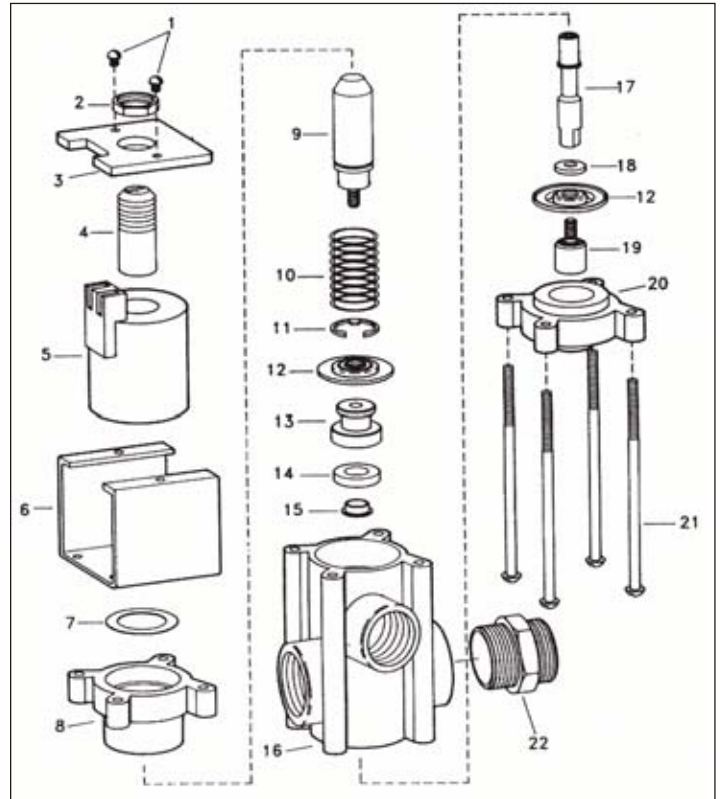
ITEM	STOCK NO.	MFG. NO.	DESCRIPTION	PRICE EA.
1	1000	CP45632	Coil Assembly	\$115.98
#2	1003	CP45637-302SS	Spring, SS	4.31
3	1002	CP45634-430FRS	Armature	28.67
4	1004	CP14813-2-IENP	Retaining Ring	1.54
5	1091	CP38074-NYB	Upper Housing	13.34
#6	1005	CP36101-VI	Diaphragm, Viton (2 req'd)	13.11
7	1092	CP25678-SS	Seat Retainer (2 req'd)	5.31
#8	1007	CP14802-VI	Seat, Viton (2 req'd)	15.83
9	1008	CP14811-SS	Spacer (2 req'd)	3.77
10	1093	CP21672-1-PPB	Body for AA144A-1-3	22.35
11	1094	CP21674-SS	Stem, Stainless Steel	21.32
12	1012	CP15162-SS	Lower Piston	8.35
13	1096	CP38075-NYB	Lower Housing	23.93
14	1097	CP14804-1-I	Bottom Plate	4.18
15	1098	CP21673-SS	Screw (4 req'd)	3.62
16	1099	CP20674-IZP	Lock Washer (4 req'd)	1.49
17	1090	CP21737-NYB	Connecting Nipple	3.72
#	SSK-61	AB144P-1-3-KIT	Includes all items marked with #	19.44



SERIES AA144A REPLACEMENT PARTS

Code 4 **A**

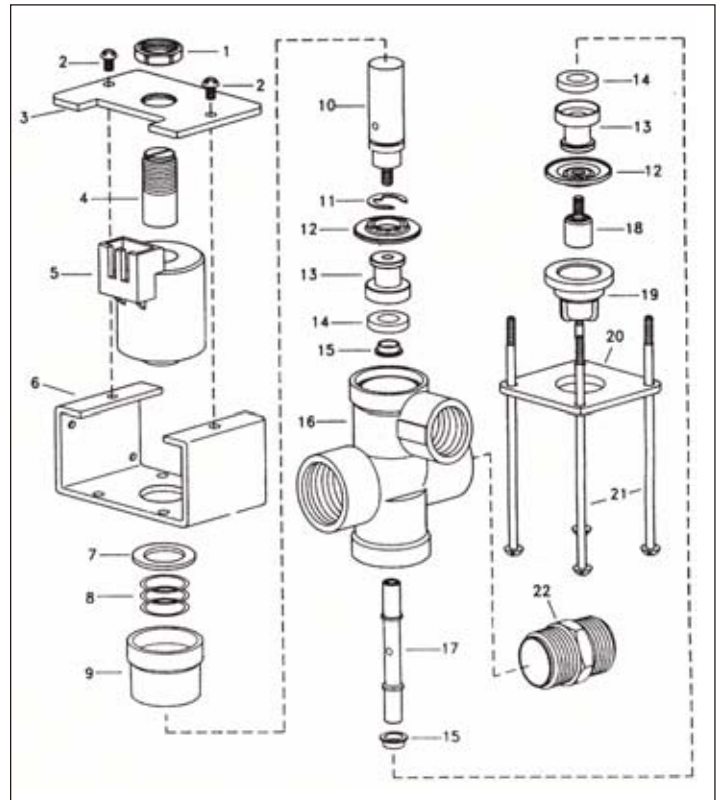
ITEM	STOCK NO.	MFG. NO.	DESCRIPTION	PRICE EA.
1	1581	CP14933-SS	Screw	\$ 1.19
2	1582	CP15168-IENP	Jam Nut	4.14
3	1583	CP15166-1	Coil Cover	3.62
4	1584	CP15161-1	Armature Stop	8.88
5	1585	CP15163-NYB	Coil Assembly	41.25
6	1586	CP14927-3-1	Strap, Steel	6.74
7	1587	CP15169-302SS	Washer	1.54
8	1001	CP15164-NYB	Diaphragm Housing	4.29
9	1588	CP15170-IENP	Armature	16.42
10	1589	CP15167-302SS	Spring	4.31
11	1590	CP14813-1-IENP	Retaining Ring	1.54
12	1591	CP36101-EPR	Diaphragm, EPDM (std.)	5.80
12	1005	CP36101-VI	Diaphragm, Viton (opt.)	13.11
13	1006	CP14807-SS	Seat Washer Retainer	13.29
14	1592	CP14802-EPR	Seat Washer, EPDM (std.)	4.48
14	1007	CP14802-VI	Seat Washer, Viton (opt.)	15.83
15	1008	CP14811-SS	Spacer	3.77
16	1593	CP14801-PP	Body, Polypropylene	11.78
17	1010	CP14812-SS	Stem	15.03
18	1011	CP14806-SS	Washer	4.36
19	1012	CP15162-SS	Diaphragm Piston	8.35
20	1040	CP15165-NYB	Diaphragm Housing	16.21
21	1089	CP14819-SS	Screw	1.42
22	1090	CP21737-NYB	Connecting Nipple	3.72
⊠	2718	PK-AB144A-1-KIT	Includes items marked with ⊠	22.94
⊠⊠	2719	PK-AB144A-A-VI-KIT	Includes items marked with ⊠⊠	34.32



SERIES AA144A-1-3 / AA144F-1-3 REPLACEMENT PARTS

Code 4 **A**

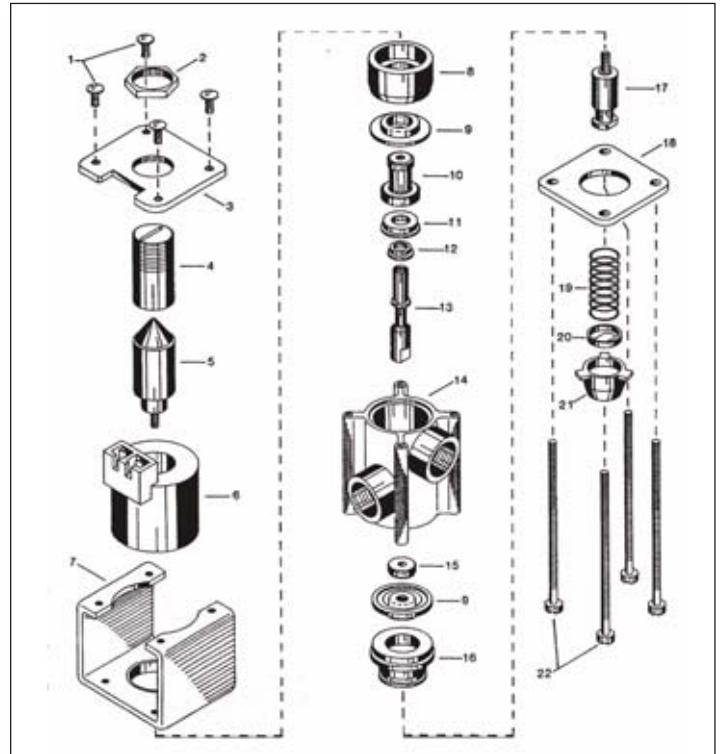
ITEM	STOCK NO.	MFG. NO.	DESCRIPTION	PRICE EA.
1	1582	CP15168-IENP	Jam Nut	\$ 4.14
2	1581	CP14933-SS	Screw (2 req'd)	1.19
3	1583	CP15166-1	Coil Cover	3.62
4	1594	CP38073-IENP	Armature Stop	9.19
5	1585	CP15163-NYB	Coil Assembly	41.25
6	1586	CP14927-3-1	Strap, Steel	6.74
7	1587	CP15169-302SS	Washer	1.54
8	1595	CP38076-302SS	Spring	5.21
9	1091	CP38074-NYB	Diaphragm Housing	13.34
10	1596	CP38072-IENP	Armature	16.95
11	1590	CP14813-1-IENP	Retaining Ring	1.54
12	1597	CP14818-EPR	Diaphragm, EPDM (std.)	8.54
12	1598	CP14818-VI	Diaphragm, Viton (opt.)	18.06
13	1092	CP25678-SS	Seat Washer Retainer	5.31
14	1592	CP14802-EPR	Washer, EPDM (std.)	4.48
14	1007	CP14802-VI	Washer, Viton (opt.)	15.83
15	1008	CP14811-SS	Spacer	3.77
16	1093	CP21672-1-PPB	Body	22.35
17	1094	CP21674-SS	Stem	21.32
18	1012	CP15162-SS	Diaphragm Piston	8.35
19	1096	CP38075-NYB	Diaphragm Housing	23.93
20	1097	CP14804-1-I	Bottom Plate, Steel	4.18
21	1098	CP21673-SS	Screw	3.62
22	1090	CP21737-NYB	Connecting Nipple	3.72
⊠	2742	PK-AB144A-1-3-KIT	Includes items marked with ⊠	26.31
⊠⊠	2743	PK-AB144-1-3-VI-KIT	Includes items marked with ⊠⊠	37.73



SERIES AA145 & AA145H REPLACEMENT PARTS

Code 4 **A**

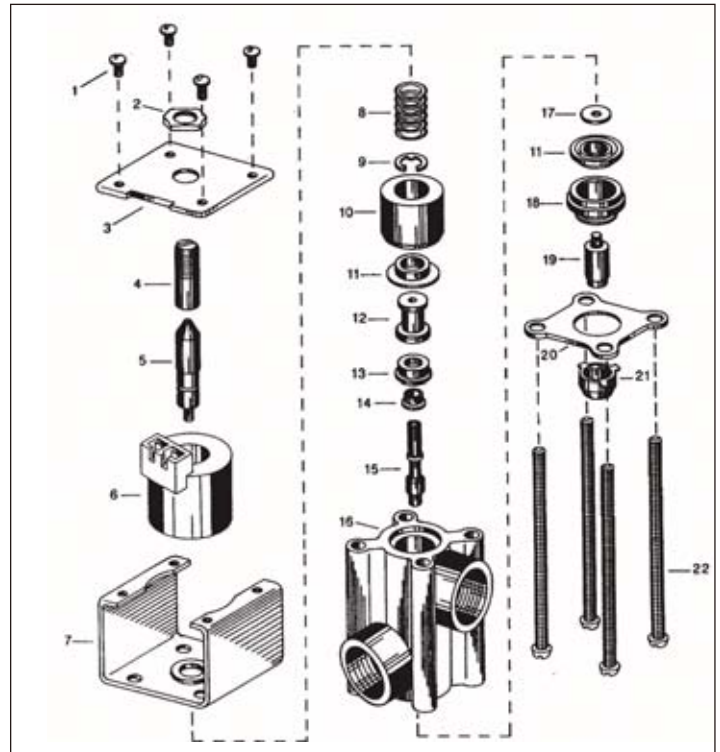
ITEM	STOCK NO.	MFG. NO.	DESCRIPTION	PRICE EA.
1	1500	CP7698-SS	Screw	\$ 1.42
2	1501	CP18602-IENP	Jam Nut	9.74
3	1502	CP18603-I	Coil Cover	10.91
4	1503	CP18618-IENP	Armature Stop	28.66
5	1504	CP18606-IENP	Armature	44.97
6	1505	CP18605-NYB	Coil Assembly	87.52
7	1506	CP18623-I	Strap	46.00
8	1507	CP18607-NYB	Housing	28.40
9H	1508	CP18621-EPR	Diaphragm, EPDM (std.)	9.37
9HH	1509	CP18621-VI	Diaphragm, Viton (opt.)	18.57
10	1510	CP18610-SS	Washer Retainer	15.88
11H	1511	CP18611-EPR	Washer, EPDM (std.)	8.71
11HH	1513	CP18611-VI	Washer, Viton (opt.)	13.49
12	1532	CP18612-SS	Spacer	3.22
13	1533	CP18613-SS	Stem	15.74
14	1534	CP18601-3/4-NYB	Body for 145-3/4	19.11
14	1535	CP18601-1-NYB	Body for 145-1	19.11
15	1536	CP18609-SS	Washer	4.75
16	1537	CP18614-NYB	Diaphragm Housing	29.28
17	1538	CP18617-SS	Diaphragm Piston	11.57
18	1539	CP18615-I	Plate	7.82
19H	1540	CP18608-302SS	Spring	10.21
20	1541	CP18620-304SS	Spring Retainer	5.89
21H	1552	CP18622-EPR	Boot, EPDM	7.69
22	1553	CP18619-SS	Screw	4.13
NO. AA145-DIRECTOVALVE REPAIR KITS				
H	2744	PK-AB145-KIT	(Items Marked with H)	43.62
HH	2745	PK-AB145-VI-KIT	(Items Marked with HH & items 19 & 21)	64.15



SERIES AA146 REPLACEMENT PARTS

Code 4 **A**

ITEM	STOCK NO.	MFG. NO.	DESCRIPTION	PRICE EA.
1	1645	CP15703-SS	Screw (4 Req'd)	\$ 1.21
2	1646	CP15702-IENP	Jam Nut	11.85
3	1647	CP15704-I	Coil Cover	10.59
4	1648	CP15721-IENP	Armature Stop	42.70
5	1649	CP15707-IENP	Armature	81.17
6	1650	CP15706-1-PYR	Coil Assembly	147.48
7	1651	CP15726-IP	Strap	46.83
H8	1652	CP15709-302SS	Spring	7.43
9	1653	CP15723-IENP	Retaining Ring	4.65
10	1654	CP15708-CE	Diaphragm Housing	43.16
H11	1655	CP15724-R	Diaphragm, EPDM (std.)	12.25
HH11	1656	CP15724-VI	Diaphragm, Viton (opt.)	48.11
12	1658	CP15713-SS	Seat Retainer	47.47
H13	1659	CP15714-R	Seat, EPDM (std.)	9.06
HH13	1660	CP15714-VI	Seat, Viton (opt.)	60.16
14	1661	CP15715-SS	Spacer	7.57
15	1662	CP15716-SS	Stem	31.33
16	1663	CP15701-1-NYB	Body for 146-1	32.20
16	1664	CP15701-1-1/4-NYB	Body for 146-1-1/4	32.20
17	1665	CP15712-SS	Washer	8.16
18	1666	CP15717-CE	Housing	32.81
19	1667	CP15720-IENP	Piston	23.77
20	1668	CP15718-IP	Bottom Plate	11.90
H21	1669	CP15722-R	Boot, EPDM	7.43
22	1670	CP15719-SS	Screw (4 Req'd)	6.46
NO. AA146 - DIRECTOVALVE REPAIR KITS				
H	2746	PK-AB146-KIT	(Items marked with H)	45.33
HH	2747	PK-AB146-VI-KIT	(Items marked with HH & items 8 & 21)	106.66

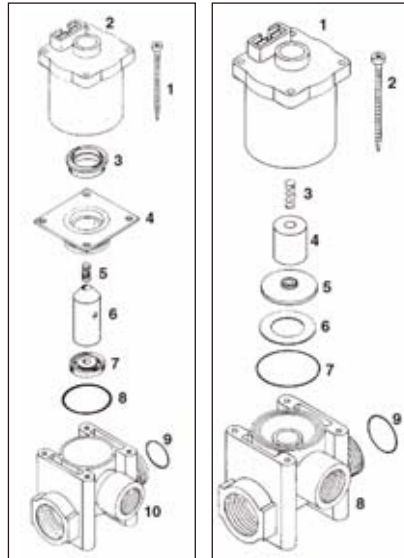


SERIES 2100A SOLENOID VALVE

Code 4 **A**

REF. NO.	STOCK NUMBER	DESCRIPTION	QTY. REQ'D.	PRICE EA.
1	‡	No. 8 x 3" Screw	4	—
2	TE2140	Coil	1	57.28
3	‡TE2251	AFLAS Lip Seal (opt.)	1	5.82
3	†TE2254	Viton Lip Seal (std.)	1	5.82
4	TE2349	Base Plate	1	18.26
5	†‡TE2176	Spring	1	1.24
6	TE2092	Plunger	1	20.00
7	‡TE2121	Seal Tir (std.)	1	4.36
7	†TE2093	Seal Viton (opt.)	1	4.36
8	†‡TE2339	O-Ring Viton	1	1.05
9	TE2166	O-Ring 018	1	1.40
10	TE2351	Body	1	28.60
REPAIR KITS				
‡	TE2252	AFLAS - Items Market ‡	1	13.18
†	2255-T	VI - Items Market †	1	13.18

‡Purchase Locally



SERIES 2500, 2502 SOLENOID VALVE

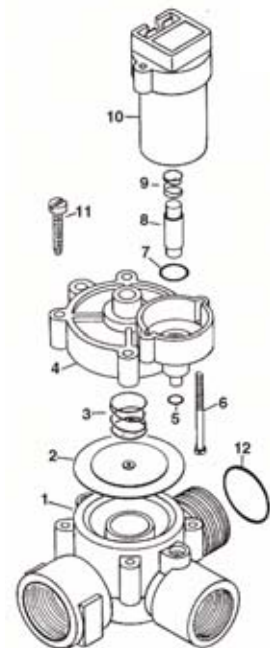
Code 4 **A**

REF. NO.	STOCK NUMBER	DESCRIPTION	QTY. REQ'D.	PRICE EA.
1	TE2311	Coil	1	\$48.22
2	‡	8 x 2-1/2" Screw	4	—
3	‡TE2315	Spring	1	.46
4	TE2310	Plunger	1	10.82
5	‡TE2307	Disc Valve VI	1	8.50
6	‡TE2363	Washer	1	.97
7	‡TE2314	O-Ring VI	1	1.24
8	TE2295	Valve Body	1	13.30
9	TE2166	O-Ring	1	1.40
REPAIR KIT				
‡	2352-T	Items Market‡	1	10.20

‡Purchase Locally

NO. 1999 SOLENOID VALVE

Code 4 **A**

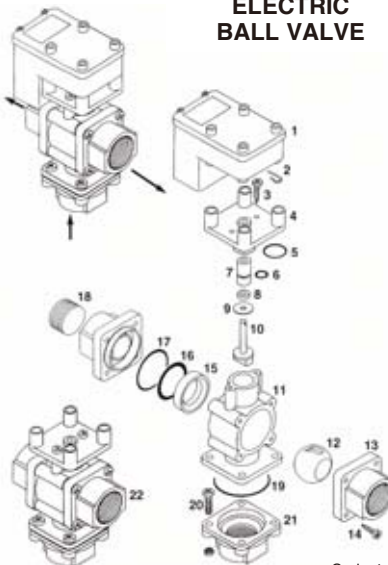


REF. NO.	STOCK NUMBER	DESCRIPTION	QTY. REQ'D.	PRICE EA.
1	TE1962	Valve Body	1	\$17.90
2	‡TE1974	Diaphragm Viton (std.)	1	22.68
2	‡TE2109	Diaphragm AFLAS (opt.)	1	22.68
3	‡†TE1975	Spring	1	2.54
4	TE1963	Valve Cover	1	14.18
5	‡TE1976	O-Ring VI (std.)	1	1.60
5	†TE2145	O-Ring AFLAS (opt.)	1	1.60
6	‡	6-32 x 3 Screw	2	—
7	‡TE1977	O-Ring VI (std.)	1	1.82
7	†TE2146	O-Ring AFLAS (opt.)	1	1.82
8	‡TE1978	Plunger w/VI (std.)	1	15.42
8	†TE2112	Plunger w/AFLAS (opt.)	1	15.42
9	†‡TE1979	Spring	1	1.74
10	TE1980	Coil (Assembly)	1	53.52
11	‡	#8 x 1-1/2" Screen	4	—
12	TE2168	O-Ring	1	.76
REPAIR KITS				
‡	2701	VITON - Items marked ‡	1	39.60
†	TE2113	AFLAS - Items marked †	1	39.60

‡Purchase Locally

NO. 2701 2 OR 3 WAY ELECTRIC BALL VALVE

Code 4 **A**

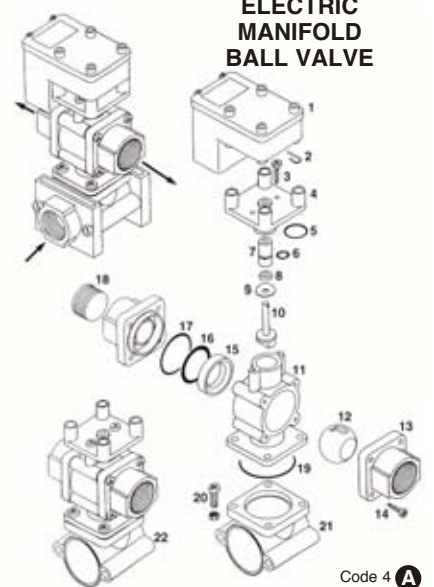


REF. NO.	STOCK NUMBER	DESCRIPTION	QTY. REQ'D.	PRICE EA.
1	TE2429	Motor Assembly	1	\$146.70
2	TE2398	Cotter Pin	1	1.85
3	‡	No. 10 x 3/4 Screw	2	—
4	TE2470	Valve Top	1	5.38
5	TE2526	O-Ring 116	1	.20
6	TE2527	O-Ring 012	1	.13
7	TE2524	Seal Sleeve	1	6.56
8	TE2535	Teflon Shaft Seal	1	14.92
9	TE2523	Teflon Washer	1	.67
10	TE2533	Ball Driver and Shaft	1	18.90
11	TE2469	Valve Body	1	5.98
‡12	TE2472	Ball	1	8.94
13	TE2471	1" NPT Outlet Fitting	2	8.36
14	‡	No. 10 x 1 Screw	8	—
‡15	TE2519	Teflon Seal	2	3.94
‡16	TE2528	O-Ring 217	2	1.69
‡17	TE2529	O-Ring 130	2	1.69
18	TE2534	1" NPT Pipe Plug	1	1.50
19	TE2531	O-Ring 133	1	.36
20	‡	1/4_20 x 3/4 Screw w/Hex Nut	4	—
21	TE2262	1" NPT Inlet Fitting	1	8.24
22	TE2530	Valve Subassembly Items 3 thru 21	1	73.04
‡	TE2532	Repair Kit, Items Marked‡	1	20.16

‡Purchase Locally

NO. 2702 2 OR 3 WAY ELECTRIC MANIFOLD BALL VALVE

Code 4 **A**

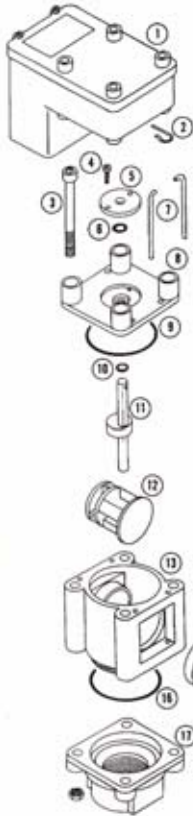


REF. NO.	STOCK NUMBER	DESCRIPTION	QTY. REQ'D.	PRICE EA.
1	TE2429	Motor Assembly	1	\$146.70
2	TE2398	Cotter Pin	1	1.85
3	‡	No. 10 x 3/4 Screw	2	—
4	TE2470	Valve Top	1	5.38
5	TE2526	O-Ring 116	1	.20
6	TE2527	O-Ring 012	1	.13
7	TE2524	Seal Sleeve	1	6.56
8	TE2535	Teflon Shaft Seal	1	14.92
9	TE2523	Teflon Washer	1	.67
10	TE2533	Ball Driver and Shaft	1	18.90
11	TE2469	Valve Body	1	5.98
‡12	TE2472	Ball	1	8.94
13	TE2471	1" NPT Outlet Fitting	2	8.36
14	‡	No. 10 x 1 Screw	8	—
‡15	TE2519	Teflon Seal	2	3.94
‡16	TE2528	O-Ring 217	2	1.69
‡17	TE2529	O-Ring 130	2	1.69
18	TE2534	1" NPT Pipe Plug	1	1.50
19	TE2531	O-Ring 133	1	.36
20	‡	1/4_20 x 3/4 Screw w/Hex Nut	4	—
‡21	TE2284	Manifold	1	6.33
‡22	TE2525	Valve Subassembly Item 3 thru 21	1	71.14
‡	TE2532	Repair Kit Items Marked‡	1	20.16

‡Purchase Locally

**NO. 2402 2-WAY VALVE
SEPARATE MOUNT**

Code 4 **A**

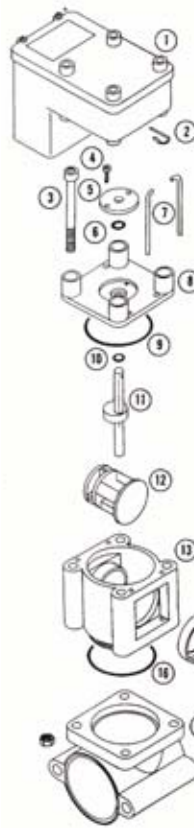


REF. NO.	STOCK NUMBER	DESCRIPTION	QTY. REQ'D.	PRICE EA.
1	TE2427	Motor Assembly	1	\$132.66
2	TE2398	Cotter Pin	1	1.85
3	†	1/4-20 x 2-1/2 Socket Head Capscrew w/ Hex Nut	4	-
4	†	No. 4 x 1/2 Screw	2	-
5	TE2367	Seal Cover	1	2.65
#6	TE2414	O-Ring, 108 Viton	1	.49
7	TE2416	Outlet Pin	2	1.54
8	TE2366	Valve Cover	1	3.78
9	TE2417	Q Ring, 030	1	.64
10	TE2418	Teflon Washer	1	.64
11	TE2395	Cam Shaft	1	18.42
12	TE2370	Valve	1	5.00
13	TE2449	Valve Body	1	22.11
#14	TE2389	Face Seal	1	5.54
15	TE2369	1" NPT Outlet Fitting	1	8.24
16	TE2419	O-Ring, 030	1	.23
17	TE2262	1" NPT Inlet Fitting	1	8.24
18	TE2448	Valve subassembly item 3 thru 17		84.76
#	TEK-2	Repair kit items marked#		6.02

†Purchase Locally

**NO. 2404 2-WAY VALVE
MANIFOLD MOUNTED**

Code 4 **A**

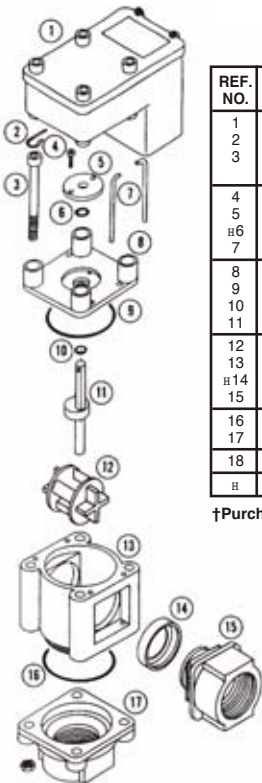


REF. NO.	STOCK NUMBER	DESCRIPTION	QTY. REQ'D.	PRICE EA.
1	TE2427	Motor Assembly	1	\$132.66
2	TE2398	Cotter Pin	1	1.85
3	†	1/4-20 x 2-1/2 Socket Head Capscrew w/ Hex Nut	4	-
4	†	No. 4 x 1/2 Screw	2	-
5	TE2367	Seal Cover	1	2.65
#6	TE2414	O-Ring, 108 Viton	1	.49
7	TE2416	Outlet Pin	2	1.54
8	TE2366	Valve Cover	1	3.78
9	TE2417	Q Ring, 030	1	.64
10	TE2418	Teflon Washer	1	.64
11	TE2395	Cam Shaft	1	18.42
12	TE2370	Valve	1	5.00
13	TE2449	Valve Body	1	22.11
#14	TE2389	Face Seal	1	5.54
15	TE2369	1" NPT Outlet Fitting	1	8.24
16	TE2419	O-Ring, 030	1	.23
17	TE2284	Manifold	1	6.33
18	TE2450	Valve subassembly item 3 thru 17		85.99
#	TEK-2	Repair kit items marked#		6.02

†Purchase Locally

**NO. 2401 3-WAY VALVE
SEPARATE MOUNT**

Code 4 **A**

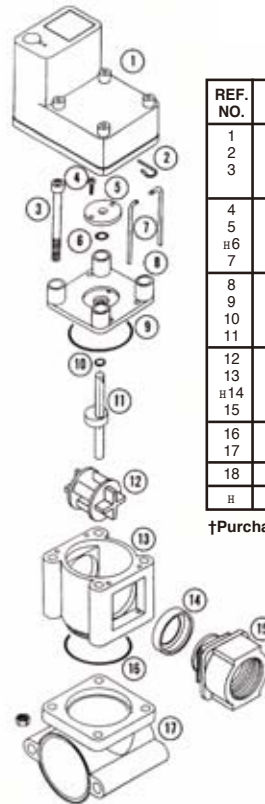


REF. NO.	STOCK NUMBER	DESCRIPTION	QTY. REQ'D.	PRICE EA.
1	TE2427	Motor Assembly	1	\$132.66
2	TE2398	Cotter Pin	1	1.85
3	†	1/4-20 x 2-1/2 Socket Head Capscrew w/ Hex Nut	4	-
4	†	No. 4 x 1/2 Screw	2	-
5	TE2367	Seal Cover	1	2.65
#6	TE2414	O-Ring, 108 Viton	1	.49
7	TE2416	Outlet Pin	4	1.54
8	TE2366	Valve Cover	1	3.78
9	TE2417	Q Ring, 030	1	.64
10	TE2330	Stainless Steel Washer	1	.20
11	TE2396	Cam Shaft	1	18.42
12	TE2381	Valve	1	4.62
13	TE2365	Valve Body	1	12.02
#14	TE2389	Face Seal	2	5.54
15	TE2369	1" NPT Outlet Fitting	2	8.24
16	TE2419	O-Ring, 030	1	.23
17	TE2262	1" NPT Inlet Fitting	1	8.24
18	TE2446	Valve subassembly item 3 thru 17		84.76
#	TEK-1	Repair kit items marked#		11.54

†Purchase Locally

**NO. 2403 3-WAY VALVE
MANIFOLD MOUNTED**

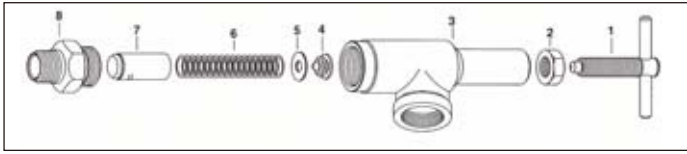
Code 4 **A**



REF. NO.	STOCK NUMBER	DESCRIPTION	QTY. REQ'D.	PRICE EA.
1	TE2427	Motor Assembly	1	\$132.66
2	TE2398	Cotter Pin	1	1.85
3	†	1/4-20 x 2-1/2 Socket Head Capscrew w/ Hex Nut	4	-
4	†	No. 4 x 1/2 Screw	2	-
5	TE2367	Seal Cover	1	2.65
#6	TE2414	O-Ring, 108 Viton	1	.49
7	TE2416	Outlet Pin	4	1.54
8	TE2366	Valve Cover	1	3.78
9	TE2417	Q Ring, 030	1	.64
10	TE2330	Stainless Steel Washer	1	.20
11	TE2395	Cam Shaft	1	18.42
12	TE2381	Valve	1	4.62
13	TE2365	Valve Body	1	12.02
#14	TE2389	Face Seal	2	5.54
15	TE2369	1" NPT Outlet Fitting	2	8.24
16	TE2419	O-Ring, 030	1	.23
17	TE2284	Manifold	1	6.33
18	TE2451	Valve subassembly item 3 thru 17		73.72
#	TEK-1	Repair kit items marked#		11.54

†Purchase Locally

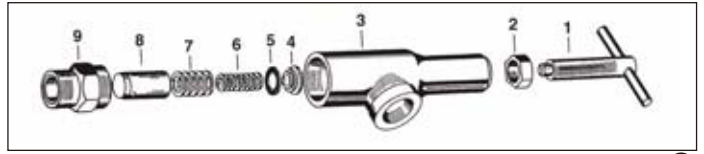
BRASS 6815-50 • ALUMINUM 6815-50



Code 4 **A**

REF. NO.	STOCK NUMBER	MFG. NO.	DESCRIPTION	PRICE EA.
1	1300	CP5896	Adjusting Screw, Brass	\$ 4.74
1	1301	CP5896-ALSS	Adjusting Screw, Aluminum	6.71
2	1302	CP5898	Locknut, Brass	1.41
2	1303	CP5898-AL	Locknut, Aluminum	1.41
#4	1309	CP6545	Spring Retainer, Brass	1.41
#4	1311	CP6545-AL	Spring Retainer, Aluminum	1.41
#5	1312	CP5899-BU	Gasket, Buna-N	1.16
#6	1313	CP14569-302SS	Spring	11.75
#7	1314	CP6544	Guide Seat, Brass	6.04
#7	1316	CP6544-AL	Guide Seat, Aluminum	6.04
8	1317	CP6789	Adapter, Brass 1/2"	8.01
8	1318	CP6789-AL	Adapter, Aluminum 1/2"	8.01
8	1319	CP7059	Adapter, Brass 3/4"	8.01
8	1320	CP7059-AL	Adapter, Aluminum 3/4"	8.01
#	SSK-31	AB6815-50-KIT	0-50 Brass	16.46
#	SSK-32	AB6815-AL-50-KIT	0-50 Aluminum	10.89

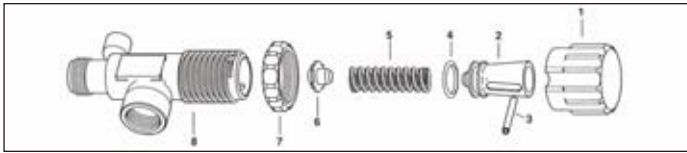
BRASS 6815-300 • ALUMINUM 6815-300



Code 4 **A**

REF. NO.	STOCK NUMBER	MFG. NO.	DESCRIPTION	PRICE EA.
1	1300	CP5896	Screw, Brass	\$ 4.74
1	1301	CP5896-ALSS	Screw, Aluminum & SS	6.71
2	1302	CP5898	Locknut, Brass	1.41
2	1303	CP5898-AL	Locknut, Aluminum	1.41
#4	1309	CP6545	Spring Retainer, Brass	1.41
#4	1311	CP6545-AL	Spring Retainer, Aluminum	1.41
#5	1312	CP5899-BU	Gasket, Buna-N	1.16
#6	1391	CP6547-SS	Inside Spring	2.50
#7	1392	CP6546-SS	Outside Spring	2.89
#8	1314	CP6544	Guide Seat, Brass	6.04
#8	1316	CP6544-AL	Guide Seat, Aluminum	6.04
9	1317	CP6789	Inlet Adapter, Brass 1/2"	8.01
9	1318	CP6789-AL	Inlet Adapter, Aluminum 1/2"	8.01
9	1319	CP7059	Inlet Adapter, Brass 3/4"	8.01
9	1320	CP7059-AL	Inlet Adapter, Aluminum 3/4"	8.01
#	SSK-52	PK-AB6815-300-KIT	Includes items marked with #	12.40

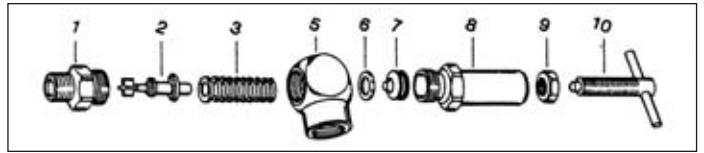
POLYPROPYLENE 23120/A 0-150 PSI



Code 4 **A**

REF. NO.	STOCK NUMBER	MFG. NO.	DESCRIPTION	PRICE EA.
1	1100	CP23122-NY	Adjusting Cap	\$ 8.82
2	1101	CP23124-PP	Spring Retainer	4.48
#3	1102	CP23126-302SS	Retaining Pin, SS	2.77
#4	1103	CP7717-15-VI	O-Ring, Viton	5.21
#5	1104	CP23127-316SS	Spring, Type	11.84
6	1105	CP23125-PP	Guide Seat	3.43
7	1107	CP23123-PP	Lock Ring	4.71
8	1110	CP23128-PP	Body, Polypropylene 1/2"	16.71
8	1111	CP23121-PP	Body, Polypropylene 3/4"	16.71
#	SSK-48	PK-AB23120A-KIT	Includes all items marked with #	16.45

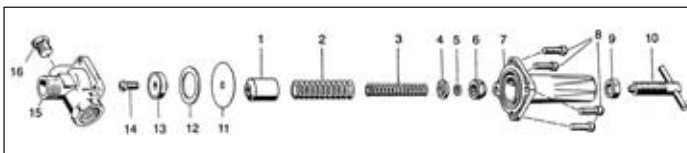
BRASS 110-1/4"-3/8" TEEJET RELIEF VALVE



Code 4 **A**

REF. NO.	STOCK NUMBER	MFG. NO.	DESCRIPTION	PRICE EA.
1	2893	CP11883-1/4	Inlet Adapter	\$ 7.43
1	2895	CP11883-3/8	Inlet Adapter	15.05
2	2896	CP11884	Guide Seat	6.75
3	2898	CP11886-3-302SS	Spring, 0-300 lbs.	4.25
3	2899	CP11886-7-302SS	Spring, 300-700 lbs.	4.25
6	2900	CP7717-7-BU	O-Ring, Buna-N (std.)	3.72
6	2902	CP7717-7-VI	O-Ring, Viton (opt.)	5.38
7	2915	CP11885	Spring Retainer	1.72
8	2916	CP11881	Bonnet, Brass	7.43
9	2917	CP11890	Locknut, Brass	1.78
10	2918	CP11887	Adjusting Handle	6.75

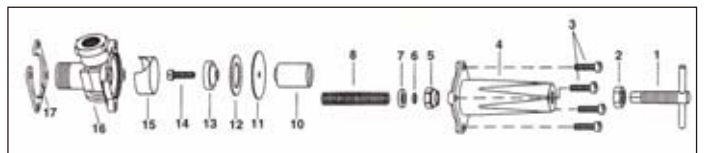
MODEL 9840 TEEJET RELIEF VALVE



Code 4 **A**

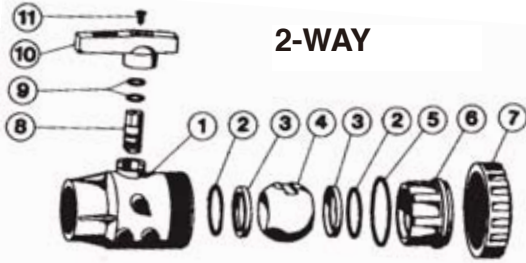
REF. NO.	STOCK NUMBER	MFG. NO.	DESCRIPTION	PRICE EA.
1	1112	CP8367-AL	Guide, Aluminum	\$ 6.02
#2	—	CP8373-SS	Lock Nut, Aluminum	#
#3	—	CP8374-SS	Outside Spring	#
4	1113	CP8371-AL	Inside Spring	#
#5	1114	CP8369-NYB	Spring Retainer, Aluminum	3.22
#5	1114	CP8369-NYB	Washer	2.23
6	1115	CP8368-SS	Adjusting Nut	6.33
7	1116	CP8362-AL	Bonnet, Aluminum	16.81
8	1117	CP8477-I	Screw, Steel (4 req'd)	1.16
9	1303	CP5898-AL	Stop Ring	1.41
10	1301	CP5896-ALSS	Lock Nut, Aluminum	6.71
#11	1118	CP8366-FA	Adjusting Stem	3.77
12	1119	CP8365-304SS	Diaphragm, Fairprene	3.64
#13	1120	CP8364-SS	Stop Ring	3.62
14	1121	CP8477-SS	Back-Up Seat	2.77
#	SSK-49	AB9840-KIT	Screw	14.43
#	SSK-49	AB9840-KIT	Includes items marked with #	14.43

MODEL 8460 TEEJET RELIEF VALVE

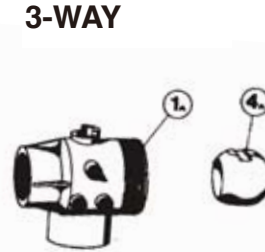


Code 4 **A**

REF. NO.	STOCK NUMBER	MFG. NO.	DESCRIPTION	PRICE EA.
1	1301	CP5896-ALSS	Adjusting Stem	\$ 6.71
2	1303	CP5898-AL	Lock Nut, Aluminum	1.41
3	1123	CP7688-I	Screw, Steel (4 req'd)	1.19
4	1116	CP8362-AL	Bonnet, Aluminum	16.81
5	1115	CP8368-SS	Adjusting Nut	6.33
#6	1114	CP8369-NYB	Washer, Nylon	2.23
7	1122	CP8371-AL	Spring Retainer, Aluminum	3.22
#8	1124	CP8374-I	Inside Spring, 0-300	5.61
#9	1125	CP8373-I	Outside Spring, 0-300	7.04
#9	1126	CP13128-SS	Outside Spring, 0-50	6.55
10	1112	CP8367-AL	Guide Sleeve, Aluminum	6.02
#11	1118	CP8366-FA	Diaphragm, Fairprene	3.77
#12	1119	CP8365-304SS	Stop Ring	3.64
#13	1120	CP8364-NYB	Back-Up Seat	3.62
14	1121	CP8477-SS	Screw	2.77
15	1127	CP8389-304SS	Chamber Insert	5.34
16	1128	CP8361-1/2-NYB	Body, 1/2"	11.78
16	1129	CP8361-3/4-NYB	Body, 3/4"	11.78
17	1130	CP9017-I	Clamp Plate	5.98
#	SSK-50	PK-AB8460-KIT	Includes items marked with #	18.81



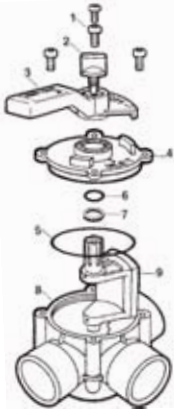
2-WAY



3-WAY

Code 4 **A**

SIZE	1/2" FPT		3/4" FPT				1" FPT		2" FPT			
RFF NO.	STOCK NO.	PRICE EA.	STOCK NO.	PRICE EA.	STOCK NO.	PRICE EA.	STOCK NO.	PRICE EA.	NO.	EA.	STOCK NO.	PRICE EA.
2, 3,	SEAL KIT: Two-way and Three-way. These parts sold only in kits.											
5 & 9	900	\$ 6.11	900	\$ 6.11	901	\$ 5.32	902	\$ 6.70	903	\$ 7.87	904	\$ 8.68
1	905	7.77	906	7.77	907	9.40	908	16.49	909	22.21	910	30.30
1A	911	10.07	912	10.07	913	12.61	914	20.66	915	29.10	916	37.74
4	917	8.61	917	8.61	918	9.24	919	12.82	920	19.33	921	27.57
4A	922	11.39	922	11.39	923	10.71	924	16.28	925	22.90	926	34.27
6	932	2.30	933	2.31	934	2.77	935	3.38	936	4.50	937	6.17
7	938	3.21	938	3.21	939	3.91	940	5.04	941	6.17	942	13.02
8	943	1.87	944	1.87	945	1.87	946	4.32	946	4.32	947	3.38
10	948	2.12	948	2.12	949	2.52	950	5.59	950	5.59	951	14.04
11	952	.57	952	.57	952	.57	952	.57	952	.57	953	2.14



JANDY VALVE REPLACEMENT PARTS

2 WAY VALVE REPLACEMENT PARTS
STOCK NO. 8215 (4724) AND 1816 (4724)

Code 4 **A**

Illus. No.	Stock No.	Description	Price Ea.
1	JA1298	Screw	\$ 1.56
2	JA4603	Knob	6.25
3	JA4733	Handle	12.47
4	JA4606	Cover 3 Port	12.47
5	JA1132	O-Ring Cover	3.12
6	JA1307	O-Ring Shaft	1.25
8	JA4720	Diverter Kit	43.63

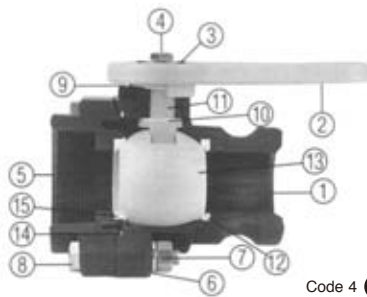
3 WAY VALVE REPLACEMENT PARTS
STOCK NO. 8217 (4715) AND 8218 (4717)

Code 4 **A**

Illus. No.	Stock No.	Description	Price Ea.
1	JA1298	Screw	\$ 1.56
2	JA4603	Knob	6.25
3	JA4733	Handle	12.47
4	JA4734	Cover 2 Port	12.47
5	JA1132	O-Ring Cover	3.12
6	JA1307	O-Ring Shaft	1.25
8	JA4720	Diverter Kit	43.63
9	JA5009	Pipe Plug	1.56

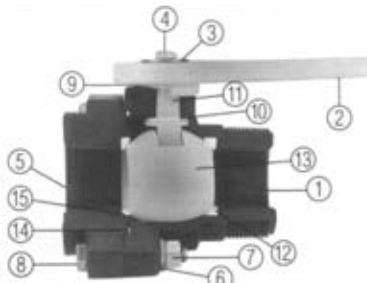


"STUBBY VALVE" REPLACEMENT PARTS



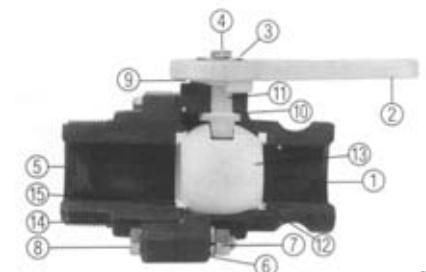
Code 4 **A**

Illus. No.	Stock No.	Description	Price Ea.
1	BAVF20254	2" F Style Body	\$13.35
2	BAV20153SH	2" Short Style Handle	6.61
5	BAVS20256	2" End Plate	9.68
9	BAV20060	Thrust Bearing	1.61
10	BAV20060	Thrust Bearing	1.61
11	BAV20151	Stem	6.61
12	BAV20258A	Seat	7.37
13	BAVS20255	Ball	8.01
14	BAV21204	Body Gasket	3.34
15	BAV20258A	Seat	7.37



Code 4 **A**

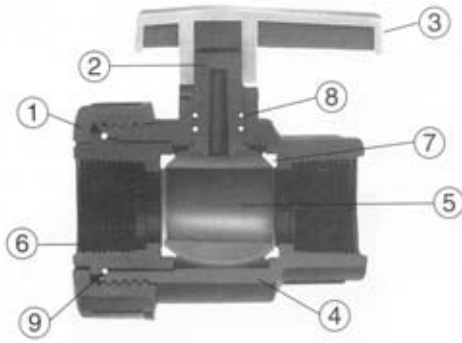
Illus. No.	Stock No.	Description	Price Ea.
1	BAVMT20254	2" MNPT Style Body	\$20.35
2	BAV20153SH	2" Short Style Handle	6.61
5	BAVS20256	2" End Plate	9.68
9	BAV20060	Thrust Bearing	1.61
10	BAV20060	Thrust Bearing	1.61
11	BAV20151	Stem	6.61
12	BAV20258A	Seat	7.37
13	BAVS20255	Ball	8.01
14	BAV21204	Body Gasket	3.34
15	BAV20258A	Seat	7.37



Code 4 **A**

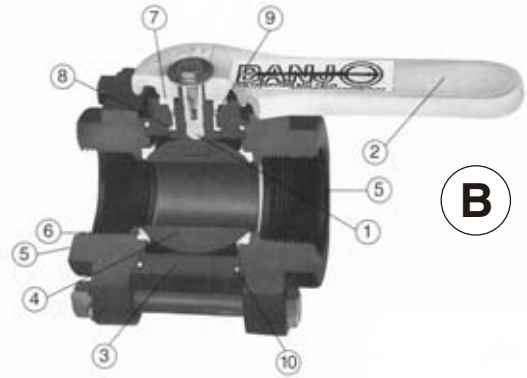
Illus. No.	Stock No.	Description	Price Ea.
1	BAVF20254	2" F Style Body	\$13.35
2	BAV20153SH	2" Short Style Handle	6.61
5	BAVMT20256	2" M Thd End Plate	20.02
9	BAV20060	Thrust Bearing	1.61
10	BAV20060	Thrust Bearing	1.61
11	BAV20151	Stem	6.61
12	BAV20258A	Seat	7.37
13	BAVS20255	Ball	8.01
14	BAV21204	Body Gasket	3.34
15	BAV20258A	Seat	7.37

A



NOTE:
FP (Full Port) Valve & pipe I.D. are similar

SP (Standard Port) Valve I.D. is one size smaller than connecting pipe



B

A

BANJO UNION BALL VALVE REPLACEMENTS PARTS

Code 4 **A**

	VALVE SIZE	1/2" FP UVO50FP	3/4" FP UV075FP	1" FP UV/UVA-100FP	1-1/4" FP UV125FP	1-1/2" FP UV150FP	2" FP UV200FP
		Stock No. (Mfg. No.)	Stock No. (Mfg. No.)	Stock No. (Mfg. No.)	Stock No. (Mfg. No.)	Stock No. (Mfg. No.)	Stock No. (Mfg. No.)
1	Union End Cap PRICE EACH	BAUV07150 \$3.65	BAUV07150 \$3.65	BAUV10150 \$4.18	BAUV15150 \$5.77	BAUV15150 \$5.77	BAUV20150 \$6.24
2	Union Stem PRICE EACH	BAUV07151 \$3.03	BAUV07151 \$3.03	BAUV10151 \$3.65	BAUV15151 \$4.90	BA(UV)15151 \$4.90	BAUV20151 \$5.97
3	Union Handle PRICE EACH	BAUV07153 \$3.03	BAUV07153 \$3.03	BAUV10153 \$3.65	BAUV15153 \$4.90	BAUV15153 \$4.90	BAUV20153 \$5.97
6	Union End Plate PRICE EACH	BAUV05256 \$3.56	BAUV07256 \$3.56	BAUV10256 \$3.65	BAUV15267 \$5.17	BAUV15257 \$5.17	BAUV20257 \$6.14
7	Union Seat PRICE EACH	BAUV07258 \$2.74	BAUV07258 \$2.74	BAUV10258 \$2.95	BAV20258 \$6.74	BAV20258 \$6.74	BAUV20258 \$6.74
8	Union Stem O-Ring (EPDM) PRICE EACH	BAUV07163 \$.80	BAUV07163 \$.80	BAUV10163 \$1.13	BAUV15163 \$1.18	BAUV15163 \$1.18	BAUV20163 \$1.28
9	Union Body O-Ring (EPDM) PRICE EACH	BAUV07264 \$1.71	BAUV07264 \$1.71	BAUV10264 \$2.06	BAUV15264 \$2.95	BAUV15264 \$2.95	BAUV20264 \$3.65

B

BANJO BOLTED BALL VALVES REPLACEMENTS PARTS

Code 4 **A**

	VALVE SIZE	1/2" & 3/4" FP 1" SP	1" FP 1-1/4" SP	1-1/4" & 1-1/2" FP 2" SP	2" FP	3" SP	3" FP	4" SP
		Stock No. (Mfg. No.)	Stock No. (Mfg. No.)	Stock No. (Mfg. No.)	Stock No. (Mfg. No.)	Stock No. (Mfg. No.)	Stock No. (Mfg. No.)	Stock No. (Mfg. No.)
1	Stem PRICE EACH	BAV07151 \$2.86	BAV10151 \$3.30	BAV20151 \$6.61	BAV25151 \$10.14	BAV25151 \$10.14	BAV25151 \$10.14	BAV25151 \$10.14
2	Handle Straight PRICE EACH	BAV07153 \$2.86	BAV10153 \$3.30	BAV20153 \$6.61	BAV25153 \$10.14	BAV25153 \$10.14	BAV25153 \$10.14	BAV25153 \$10.14
2	Handle Angle PRICE EACH			BAV20152 \$6.61	BAV25152 \$10.15			
3	Valve Body PRICE EACH	BAV07254 \$6.08	BAV10254 \$6.51	BAV20254 \$9.27	BAV25254 \$12.61	BAV30254 \$18.68	BAV35254 \$25.89	BAV40254 \$34.44
4	Valve Ball PRICE EACH	BAV07155 \$4.96	BAV10155 \$5.44	BAV20255 \$9.08	BAV25255 \$9.70	BAV30255 \$17.35	BAV35255 \$28.30	BAV40255 \$36.83
5	1/2" End Plate PRICE EACH	BAV05256 \$7.27						
5	3/4" End Plate PRICE EACH	BAV07257 \$7.27						
5	1" End Plate PRICE EACH	BAV07256 \$7.27	BAV10257 \$8.71					
5	1-1/4" End Plate PRICE EACH		BAV10256 \$8.71	BAV20267 \$9.68				
5	1-1/2" End Plate PRICE EACH			BAV20257 \$9.68				
5	2" End Plate PRICE EACH			BAV20256 \$9.68	BAV25256 \$14.21			
5	3" End Plate PRICE EACH					BAV30264 \$25.73	BAV35264 \$36.83	
5	4" End Plate PRICE EACH							BAV40264 \$47.52
5	1-1/2" Angle End Flange PRICE EACH			BAV20262 \$20.02				
5	2" Angle End Flange PRICE EACH			BAV20261 \$20.02	BAV25261 \$31.31			
6	Teflon Seats PRICE EACH	BAV07258A \$3.67	BAV10258A \$4.70	BAV20258A \$7.37	BAV25258A \$8.98	BAV30258A \$9.70	BAV35258A \$15.76	BA40258B \$18.05
7	Upper Stem Bushing PRICE EACH	BAV07159 \$1.77	BAV10159 \$1.94	BAV20159 \$2.33	BAV25160 \$3.21	BAV25160 \$3.21	BAV25160 \$3.21	BAV25160 \$3.21
9	Stem O-Ring - Viton® PRICE EACH	BAV07163 \$1.12	BAV10163 \$1.60	BAV20163 \$2.04	BAV25163 \$2.76	V25163 \$2.76	BAV25163 \$2.76	BAV25163 \$2.76
10	Valve Body O-Ring - Viton® PRICE EACH	BAV07264 \$3.68	BAV10264 \$4.47	BAV20264 \$7.37	BAV25264 \$7.54	BAV30265 \$8.64	BAV35265 \$10.56	BAV40265 \$12.81